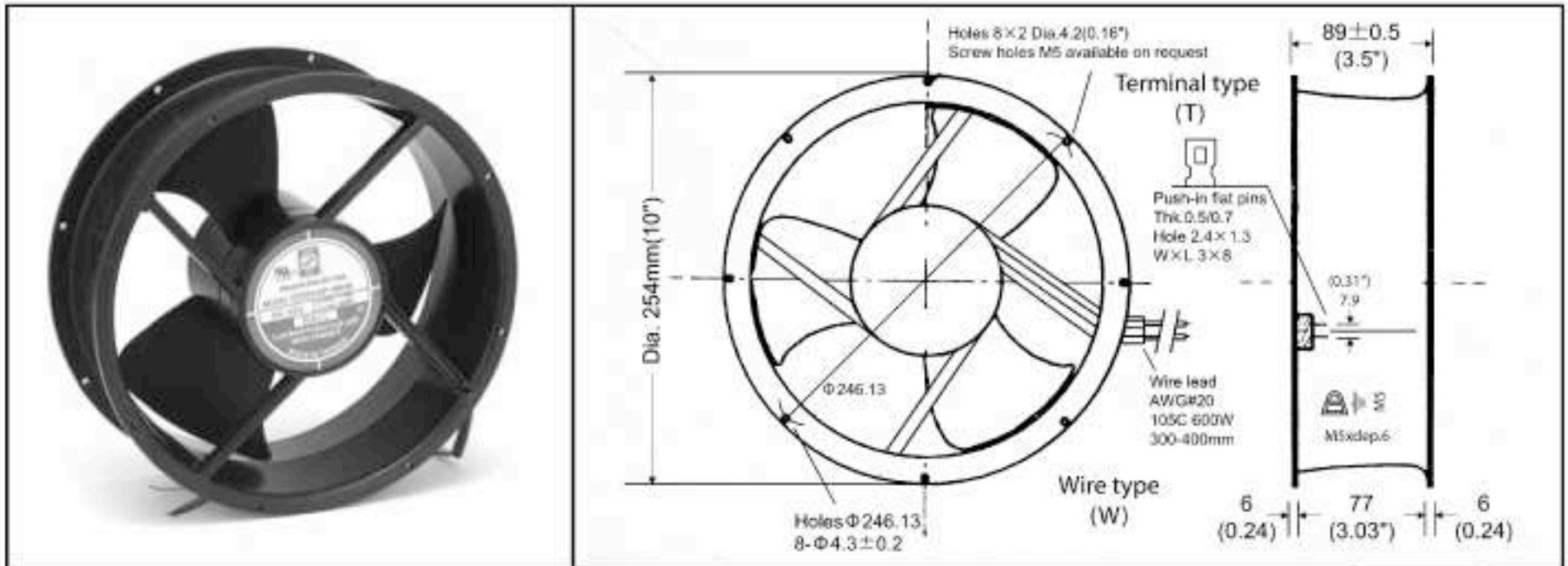


OD254 Series



DC Fan - 12, 24, 48V
254x89mm (10.0"x 3.50")



| | | | |
|-----------------------|--|--|--|
| Frame | Diecast Aluminum | Available Options: Tachometer (5VTTL) Alarm (5VTTL) Thermistor Speed Control PWM Speed Control <u>Life Expectancy (L10)</u> Ball - 40,000 hrs (60C) <u>Operating Temperature</u> Ball: -20C ~ 75C | |
| Impeller | PBT, UL94V-O plastic | | |
| Connection | 2x Lead wires 20AWG or terminals | | |
| Motor | Brushless DC, auto restart, impedance and polarity protected | | |
| Bearing System | Ball bearing | | |
| Insulation Resistance | 10M ohm between leadwire and frame (500VDC) | | |
| Dielectric Strength | 1 second at 500 VAC, max leakage - 500 MicroAmp | | |
| Storage Temperature | -40C ~ +90C | | |

| Model Number | Speed (RPM) | Airflow (CFM) | Noise (dB) | Volts DC | Voltage Range (VDC) | Input Power (Watt) | Amps | Max. Static Pressure ("H2O) |
|---------------|-------------|---------------|------------|----------|---------------------|--------------------|------|-----------------------------|
| OD254AP-12H * | 2400 | 830 | 60 | 12 | 9~13 | 65 | 5.4 | 0.78 |
| OD254AP-12M * | 2000 | 690 | 47 | 12 | 9~13 | 23 | 1.9 | 0.58 |
| OD254AP-12L * | 1650 | 550 | 39 | 12 | 8~14 | 13 | 1.1 | 0.37 |
| OD254AP-24H * | 2500 | 850 | 64 | 24 | 16~27 | 64 | 2.65 | 0.83 |
| OD254AP-24M * | 2000 | 690 | 47 | 24 | 16~27 | 24 | 0.97 | 0.58 |
| OD254AP-24L * | 1500 | 550 | 39 | 24 | 16~27 | 13 | 0.52 | 0.37 |
| OD254AP-48H * | 2500 | 850 | 64 | 48 | 24~53 | 62 | 1.3 | 0.83 |
| OD254AP-48M * | 2000 | 690 | 47 | 48 | 24~53 | 24 | 0.48 | 0.58 |
| OD254AP-48L * | 1500 | 550 | 39 | 48 | 24~56 | 15 | 0.30 | 0.37 |

* Indicate "B" for wire leads or "TB" for Terminals

10557 Metric Drive
Dallas, Texas 75243
214-340-0265



OrionFans.com
Information and data is subject to change without prior notification.