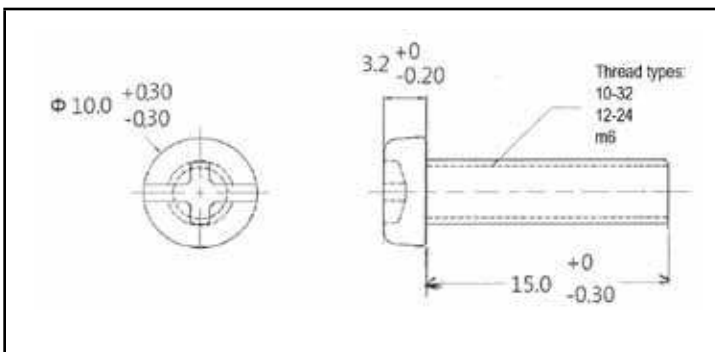


Orion Cage Nuts for square holes

Part Nos:

OCN-1032 (10-32 thread), OCN-1224 (12-24 thread), OCN-M6 (M6 thread)



Orion Cage Nut Screw

Part Nos:

OCN-1032SCW (10-32 thread)  
OCN-1224SCW (12-24 thread)  
OCN-M6SCW (M6 thread)  
OCN-1032RHWASH (Orion Cage Nut Washer)  
Hardware sold separately

Orion Cage Nuts material  
Zinc plated steel

Orion Cage Nut Washer - PVC 0.8 x 5 x 12  
Sold in hardware packs only:

OCN1032RHHDWPK  
OCN1224RHHDWPK  
OCNM6RHHDWPK

