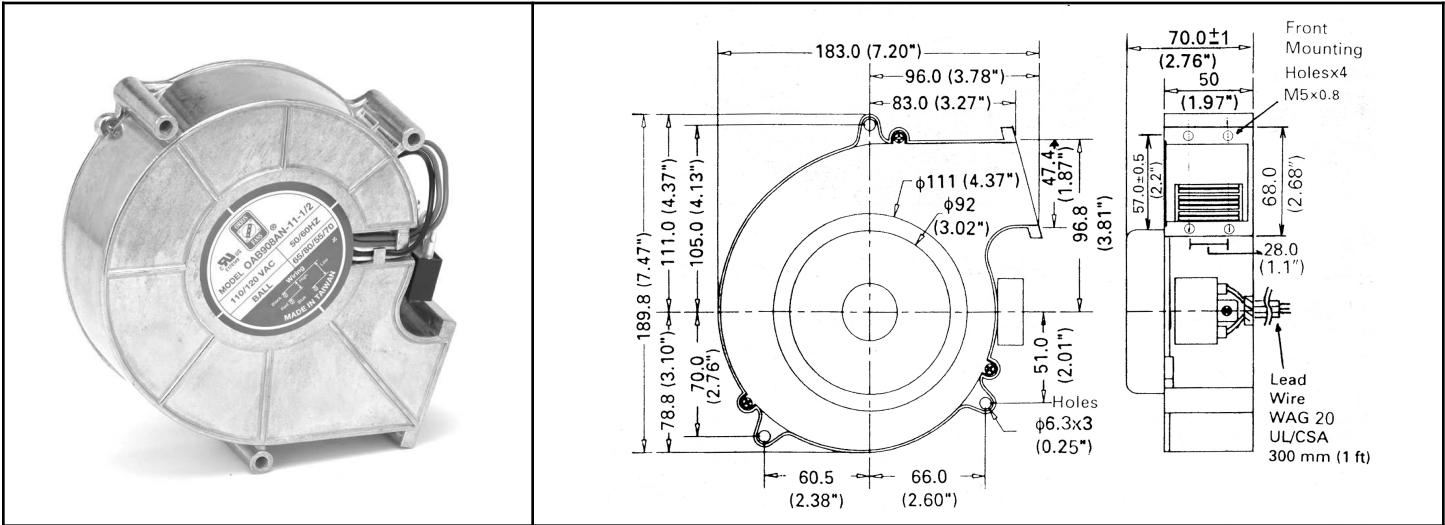


# OAB908 Ultra Low Speed



AC Blower, ball bearing  
183x190x70mm (7.2"x 7.5"x 2.8")



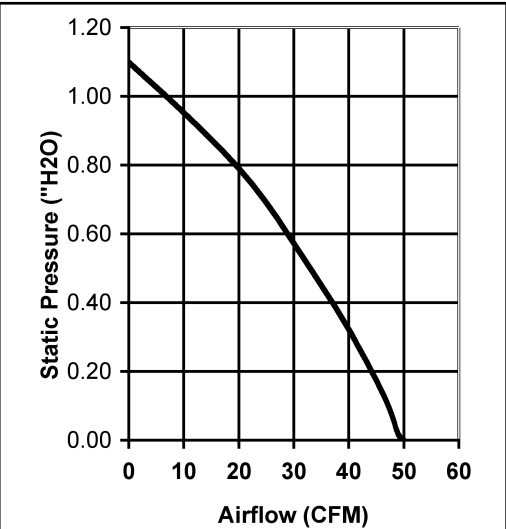
<b>Side Inlet Blower</b>	
<b>Frame &amp; Impeller</b>	Aluminum die-cast shell with UL94V-0 impeller
<b>Connection</b>	Lead Wires
<b>Motor</b>	Single phase, capacitor induction, 2/4 pole, inner rotor, thermal protection -Frame: Aluminum die-cast, natural color treatment case, steel plate housing cover
<b>Bearing System</b>	Dual ball - sealed

**Operating Temp:** Ambient non-condensing allowable thermal range -20C~+75C

**-L10 Life:** MTBF life test 80,000 hours at +45C, 40,000 hours at +60C

**-Dielectric Strength:** Over 1 min. at 1,500 VAC, 0.5mA, 50/60 Hz

**-Insulation Resistance:** Over 100 Mega Ohm at DC 500V



Model Number	OAB908AN-11-3	OAB908AN-22-3
Part Number	264331000	264631000
Nominal Voltage	115 VAC	230 VAC
Voltage Range	60 ~ 130	100 ~ 260
Rated Power	60 W	60 W
Rated Speed (RPM)	1000	1000
Airflow (CFM)	50	50
Noise Level (dB)	40	40
Max. Static Pressure	1.1 "H2O	1.1 "H2O