

# ZXM64P035L3

---

## 35V P-CHANNEL ENHANCEMENT MODE MOSFET

---

### SUMMARY

$V_{(BR)DSS} = -35V$ ;  $R_{DS(on)} = 0.075\Omega$ ;  $I_D = -12A$



### DESCRIPTION

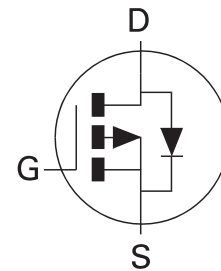
This new generation of high cell density planar MOSFETs from Zetex utilizes a unique structure that combines the benefits of low on-resistance with fast switching speed. This makes them ideal for high efficiency, low voltage, power management applications.

### FEATURES

- Low on-resistance
- Fast switching speed
- Low threshold
- Low gate drive
- TO220 package

### APPLICATIONS

- 100W Class D Audio Output Stage
- Motor Control

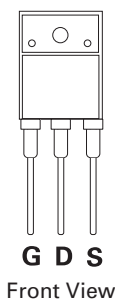


### ORDERING INFORMATION

DEVICE	MULTIPLES
ZXM64P035L3	1000

### DEVICE MARKING

- ZXM6  
4P035



# ZXM64P035L3

## ABSOLUTE MAXIMUM RATING

PARAMETER	SYMBOL	LIMIT	UNIT
Drain-Source Voltage	$V_{DSS}$	-35	V
Gate-Source Voltage	$V_{GS}$	$\pm 20$	V
Continuous Drain Current ( $V_{GS} = -10V$ ; $T_C = 25^\circ C$ )(a) ( $V_{GS} = -10V$ ; $T_A = 25^\circ C$ )(b)	$I_D$	-12 -3.3	A
Pulsed Drain Current (b)	$I_{DM}$	-19	A
Continuous Source Current (Body Diode) (b)	$I_S$	-2.3	A
Pulsed Source Current (Body Diode)(b)	$I_{SM}$	-19	A
Power Dissipation at $T_A = 25^\circ C$ (a) Linear Derating Factor	$P_D$	20 160	W mW/ $^\circ C$
Power Dissipation at $T_A = 25^\circ C$ (b) Linear Derating Factor	$P_D$	1.5 12	W mW/ $^\circ C$
Operating and Storage Temperature Range	$T_j; T_{stg}$	-55 to +150	$^\circ C$

## THERMAL RESISTANCE

PARAMETER	SYMBOL	VALUE	UNIT
Junction to Case (a)	$R_{\theta JC}$	6.25	$^\circ C/W$
Junction to Ambient (b)	$R_{\theta JA}$	83.3	$^\circ C/W$

# ZXM64P035L3

## ELECTRICAL CHARACTERISTICS (at $T_A = 25^\circ\text{C}$ unless otherwise stated).

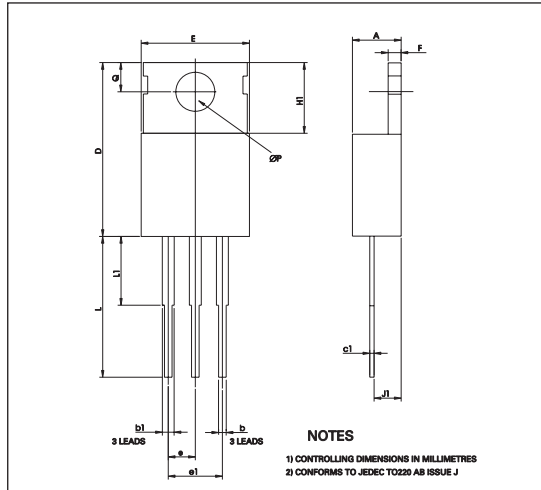
PARAMETER	SYMBOL	MIN.	TYP.	MAX.	UNIT	CONDITIONS.
<b>STATIC</b>						
Drain-Source Breakdown Voltage	$V_{(BR)DSS}$	-35			V	$I_D = -250\mu\text{A}$ , $V_{GS} = 0\text{V}$
Zero Gate Voltage Drain Current	$I_{DSS}$			-1	$\mu\text{A}$	$V_{DS} = -35\text{V}$ , $V_{GS} = 0\text{V}$
Gate-Body Leakage	$I_{GSS}$			$\pm 100$	nA	$V_{GS} = \pm 20\text{V}$ , $V_{DS} = 0\text{V}$
Gate-Source Threshold Voltage	$V_{GS(th)}$	-1.0			V	$I_D = -250\mu\text{A}$ , $V_{DS} = V_{GS}$
Static Drain-Source On-State Resistance (1)	$R_{DS(on)}$			0.075 0.105	$\Omega$	$V_{GS} = -10\text{V}$ , $I_D = -2.4\text{A}$ $V_{GS} = -4.5\text{V}$ , $I_D = -1.2\text{A}$
Forward Transconductance (1)(3)	$g_{fs}$	2.3			S	$V_{DS} = -10\text{V}$ , $I_D = -1.2\text{A}$
<b>DYNAMIC (3)</b>						
Input Capacitance	$C_{iss}$		825		pF	$V_{DS} = -25\text{V}$ , $V_{GS} = 0\text{V}$ , $f = 1\text{MHz}$
Output Capacitance	$C_{oss}$		250		pF	
Reverse Transfer Capacitance	$C_{rss}$		80		pF	
<b>SWITCHING(2) (3)</b>						
Turn-On Delay Time	$t_{d(on)}$		4.4		ns	$V_{DD} = -15\text{V}$ , $I_D = -2.4\text{A}$ $R_G = 6.0\Omega$ , $V_{GS} = -10\text{V}$
Rise Time	$t_r$		6.2		ns	
Turn-Off Delay Time	$t_{d(off)}$		40		ns	
Fall Time	$t_f$		29.2		ns	
Total Gate Charge	$Q_g$			46	nC	$V_{DS} = -24\text{V}$ , $V_{GS} = -10\text{V}$ , $I_D = -2.4\text{A}$
Gate-Source Charge	$Q_{gs}$			9	nC	
Gate-Drain Charge	$Q_{gd}$			11.5	nC	
<b>SOURCE-DRAIN DIODE</b>						
Diode Forward Voltage (1)	$V_{SD}$			-0.95	V	$T_J = 25^\circ\text{C}$ , $I_S = -2.4\text{A}$ , $V_{GS} = 0\text{V}$
Reverse Recovery Time (3)	$t_{rr}$		30.2		ns	$T_J = 25^\circ\text{C}$ , $I_F = -2.4\text{A}$ , $di/dt = 100\text{A}/\mu\text{s}$
Reverse Recovery Charge (3)	$Q_{rr}$		27.8		nC	

### NOTES

- (1) Measured under pulsed conditions. Width=300 $\mu\text{s}$ . Duty cycle  $\leq 2\%$ .
- (2) Switching characteristics are independent of operating junction temperature.
- (3) For design aid only, not subject to production testing.

# ZXM64P035L3

## Package Outline



## Package Dimensions

DIM	Millimetres		Inches	
	Min	Max	Min	Max
A	3.56	4.82	0.140	0.189
b	0.38	1.01	0.015	0.040
b1	1.15	1.77	0.045	0.070
c1	0.41	0.50	0.016	0.020
D	14.23	16.51	0.560	0.650
E	9.66	10.66	0.380	0.419
e	2.29	2.79	0.090	0.110
e1	4.83	5.33	0.190	0.210
F	0.51	1.39	0.20	0.055
H1	5.58	6.85	0.230	0.270
J1	2.04	2.92	0.080	0.115
L	12.70	14.73	0.500	0.580
L1	—	6.35	—	0.250
ØP	3.54	4.08	0.139	0.160
Q	2.54	3.42	0.100	0.134

© Zetex plc 2001

Zetex plc  
 Fields New Road  
 Chadderton  
 Oldham, OL9 8NP  
 United Kingdom  
 Telephone (44) 161 622 4422  
 Fax: (44) 161 622 4420

Zetex GmbH  
 Streifeldstraße 19  
 D-81673 München  
 Germany  
 Telefon: (49) 89 45 49 49 0  
 Fax: (49) 89 45 49 49 49

Zetex Inc  
 700 Veterans Memorial Hwy  
 Hauppauge, NY11788  
 USA  
 Telephone: (631) 360 2222  
 Fax: (631) 360 8222

Zetex (Asia) Ltd  
 3701-04 Metroplaza, Tower 1  
 Hing Fong Road  
 Kwai Fong  
 Hong Kong  
 Telephone: (852) 26100 611  
 Fax: (852) 24250 494

These offices are supported by agents and distributors in major countries world-wide.

This publication is issued to provide outline information only which (unless agreed by the Company in writing) may not be used, applied or reproduced for any purpose or form part of any order or contract or be regarded as a representation relating to the products or services concerned. The Company reserves the right to alter without notice the specification, design, price or conditions of supply of any product or service.

For the latest product information, log on to [www.zetex.com](http://www.zetex.com)



ISSUE 1 - JUNE 2004