

## Features

- DC/DC Power Module
- 15W to 40W with 4:1 inputs, 60W with 2:1
- Screw Terminal Connections
- Class B EMC Filter built-in
- Input Fuse
- Reverse Polarity Protected
- Inrush Current Limiting (Soft Start)
- Output Trim Potentiometer
- Output LED Indicator
- DIN Rail Mounting or Panel Mount Options

## Description

The Recom Power Module takes a standard 15W-60W converter and mounts it on a PCB with screw terminals, an EMC filter, input protection circuitry and a built-in heatsink to offer a complete power module that can be mounted on a bulkhead or on a standard DIN rail. The Power Module is primarily designed for transport applications such as a GPS vehicle tracking power supply or a radio communications power supply, but will also find many uses in industrial, communications or battery-powered applications.

How to use this datasheet:

1. Select the converter that suits your application from the converter series list below

2. Decide on DIN Mount (RPM) or bulkhead (RPM) version

Ordering example: 40W, 18-75 VDC in, single 12V out, DIN Mount = RPMD40-4812SGW

## Selection Guide Single and Dual Outputs - Panel Mount Version

Power Module Part Number (Bulkhead Version)	Input Range VDC	Output Power Watts	Internal Fuse (Replaceable)	Converter Series
RPM15-24xxS_DFW**	9.5-36	15	F4A	RP15-24xxS_DFW
RPM15-48xxS_DFW**	18-75	15	F4A	RP15-48xxS_DFW
RPM20-24xxS_DFW**	9.5-36	20	F4A	RP20-24xxS_DFW
RPM20-48xxS_DFW**	18-75	20	F4A	RP20-48xxS_DFW
RPM30-24xxS_DEW**	10-40	30	F6A	RP30-24xxS_DEW
RPM30-48xxS_DEW**	18-75	30	F4A	RP30-48xxS_DGW
RPM40-48xxS_DGW**	18-75	40	F4A	RP40-48xxS_DGW
RPM60-24xxSG**	18-36	60	F8A	RP60-24xxSG
RPM60-48xxSG**	36-75	60	F4A	RP60-48xxSG

\*\* add /P or /N for Positive or Negative CTRL logic

## Selection Guide Single and Dual Outputs - DIN Rail Version

Power Module Part Number (DIN rail Version)	Input Range VDC	Output Power Watts	Internal Fuse (Replaceable)	Converter Series
RPMD15-24xxS_DFW**	9.5-36	15	F4A	RP15-24xxS_DFW
RPMD15-48xxS_DFW**	18-75	15	F4A	RP15-48xxS_DFW
RPMD20-24xxS_DFW**	9.5-36	20	F4A	RP20-24xxS_DFW
RPMD20-48xxS_DFW**	18-75	20	F4A	RP20-48xxS_DFW
RPMD30-24xxS_DEW**	10-40	30	F6A	RP30-24xxS_DEW
RPMD30-48xxS_DEW**	18-75	30	F4A	RP30-48xxS_DEW
RPMD40-24xxS_DGW**	9.5-36	40	F4A	RP40-24xxS_DGW
RPMD40-48xxS_DGW**	18-75	40	F4A	RP40-48xxS_DGW
RPMD60-24xxSG**	18-36	60	F8A	RP60-24xxSG
RPMD60-48xxSG**	36-75	60	F4A	RP60-48xxSG

\*\* add /P or /N for Positive or Negative CTRL logic

## Specifications (typical at nominal input and 25°C unless otherwise noted)

Specifications are as in individual converter datasheets with the following exceptions:  
(move to top of next page)

## POWERLINE

DC/DC-Converter  
Power Module

with 3 year Warranty

RECOM

15-60 Watt

Single

& Dual

Outputs



CE



EN-60950-1 Certified  
CE Marked

# Power Modules

xx = Output Voltage Options

Single Outputs:

3.3S = 3.3V

05S = 5V

12S = 12V

15S = 15V

Dual Outputs:

12D = ±12V

15D = ±15V

Refer to converter series datasheets for detailed information.

Please Read Application Notes

## Bulkhead Version

Input Voltage Range	see selection guide	
Inrush current	Nominal Vin and Full Load	soft start
Startup time	Power up: Nominal Vin and Full Load CTRL pin: Nominal Vin and Full Load	100ms typ. 20ms typ.
Thermal impedance	8.5°C/W	
Conducted Emissions	EN55022	Class B
Radiated Emissions	EN55022	Class B
ESD	EN61000-4-2	Perf. Criteria A
Radiated Immunity	EN61000-4-3	Perf. Criteria A
Fast Transient	EN61000-4-4	Perf. Criteria A
Surge	EN61000-4-5	Perf. Criteria A
Conducted Immunity	EN61000-4-6	Perf. Criteria A
Chassis Material	Aluminium	
Connectors	Screw Terminal	
Weight	134g	
Packing Quantity	1 pc.	
Dimensions	101.6 x 57.15 x 19.0mm	
Certifications	LVD20110124	EN-60950-1:2006 + A11:2009 + A1:2010

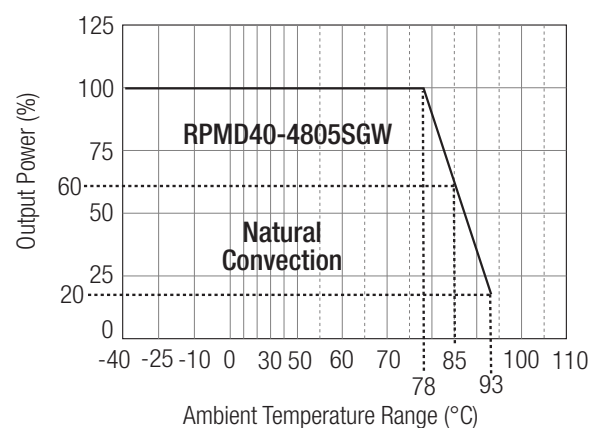
## DIN-Rail Version

Input Voltage Range	see selection guide	
Inrush current	Nominal Vin and Full Load	<15A
Startup time	Power up: Nominal Vin and Full Load CTRL pin: Nominal Vin and Full Load	100ms typ. 20ms typ.
Thermal impedance	4.2°C/W	
Conducted Emissions	EN55022	Class B
Radiated Emissions	EN55022	Class B
ESD	EN61000-4-2	Perf. Criteria A
Radiated Immunity	EN61000-4-3	Perf. Criteria A
Fast Transient	EN61000-4-4	Perf. Criteria A
Surge	EN61000-4-5	Perf. Criteria A
Conducted Immunity	EN61000-4-6	Perf. Criteria A
Chassis Material	Aluminium	
Connectors	Screw Terminal	
Weight	182g	
Packing Quantity	30 pcs.	
Dimensions	125.0 x 57.6 x 24.5mm	
Certifications	LVD20110124	EN-60950-1:2006 + A11:2009 + A1:2010

RPM

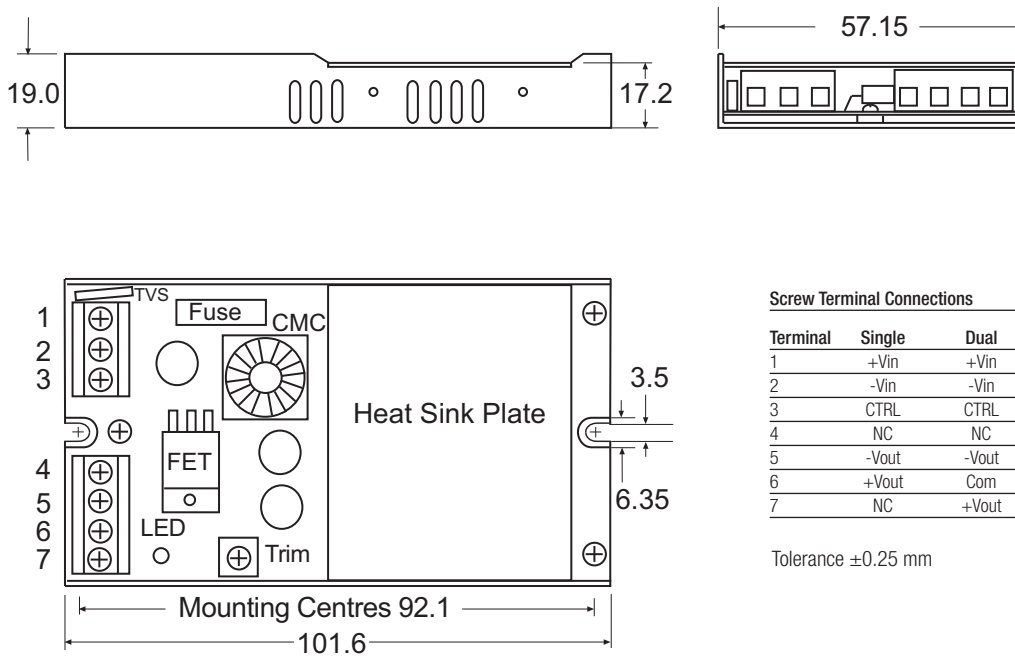
## Derating Graph (Ambient Temperature) - DIN Rail version

Derating graphs are valid only for the shown part numbers.  
If you need detailed derating information about a part number not shown here please contact our technical customer service at [info@recom-development.at](mailto:info@recom-development.at)



Package Style and Connections

Panel Mount Version

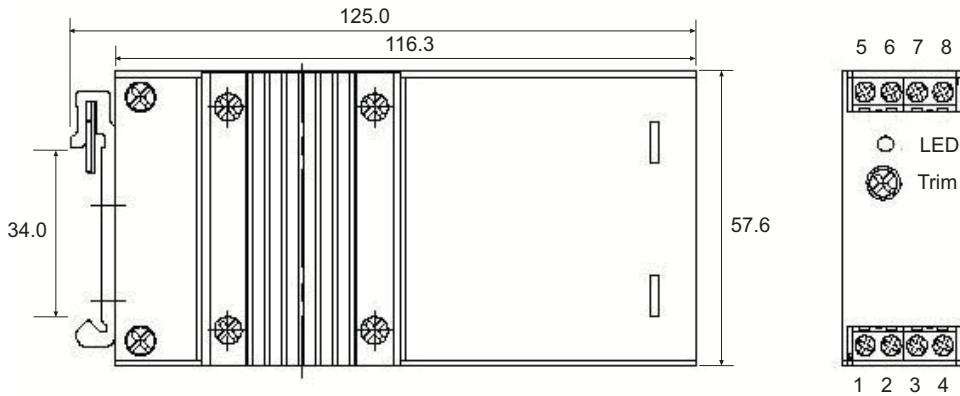


Screw Terminal Connections

Terminal	Single	Dual
1	+Vin	+Vin
2	-Vin	-Vin
3	CTRL	CTRL
4	NC	NC
5	-Vout	-Vout
6	+Vout	Com
7	NC	+Vout

Tolerance  $\pm 0.25$  mm

DIN Rail Version



Screw Terminal Connections

Terminal	Single	Dual
1	CTRL	CTRL
2	-Vin	-Vin
3	-Vin	-Vin
4	+Vin	+Vin
5	NC	NC
6	-Vout	-Vout
7	+Vout	Com
8	NC	+Vout

Tolerance  $\pm 0.5$  mm

**RPM**