

Customer Information Sheet

DRAWING No.: C90-00X-XXXX

IF IN DOUBT - ASK

©

NOT TO SCALE

THIRD ANGLE PROJECTION

ALL DIMENSIONS IN mm

SPECIFICATIONS:

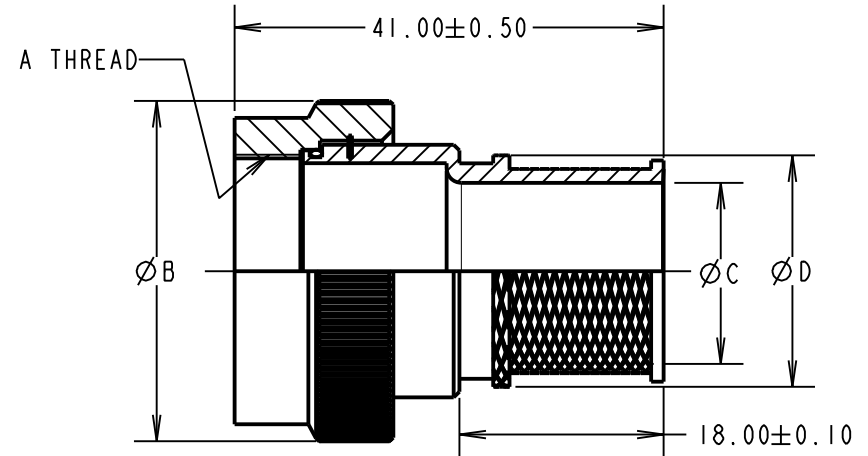
MATERIAL:

SHELL: ALUMINIUM ALLOY

O-RING: SILICONE

FINISH:

SHELL: 5-12µ ZINC NICKEL BLACK PASSIVATE OVER 8-12µ NICKEL



NOTES:

1. USE 'BAND-IT' TIE DEX MICRO BAND TOOL FOR BAND CRIMPING.
2. TOLERANCES ARE ±0.10 UNLESS OTHERWISE STATED.
3. FOR SPRING ADAPTOR ASSEMBLY INSTRUCTIONS SEE IS-31.

SHELL SIZE	A THREAD	B MAX	C MAX	D MAX
10SL	5/8-24UNEF	23.00	7.92	15.56
12S	11/16-24UNEF	26.00	7.92	15.56
14S	3/4-20UNEF	30.50	11.12	18.76

ORDER CODE:

C90-00X-XXXX

TERMINATION STYLE _____

1 = BAND

2 = SPRING

SHELL SIZE = 10SL, 12S, 14S _____

SM	4	16.09.10	10940
NAME	ISS.	DATE	C/NOTE
APPROVED: S. MCCULLAGH			
CHECKED:		R. ADDE	
DRAWN:		R. ADDE	
CUSTOMER REF.:			
ASSEMBLY DRG:			

HARWIN

HARWIN USA
TEL: 603 893 5376
FAX: 603 893 5396
mis@harwin.com

HARWIN Europe (UK)
TEL: 023 9231 4545
FAX: 023 9231 4590
mis@harwin.co.uk

HARWIN Asia
TEL: +65 6 779 4909
FAX: +65 6 779 3868
mis@harwin.com.sg

THIS DRAWING AND ANY INFORMATION OR DESCRIPTIVE MATTER SET OUT HEREON ARE CONFIDENTIAL AND COPYRIGHT PROPERTY OF THE HARWIN GROUP AND MUST NOT BE DISCLOSED, LOANED, COPIED OR USED FOR MANUFACTURING, TENDERING OR FOR ANY OTHER PURPOSE WITHOUT THEIR WRITTEN PERMISSION.

TOLERANCES
X = ±1mm
X.X = ±0.25mm
X.XX = ±0.10mm
X.XXX = ±0.01mm
ANGLES = ±5°
UNLESS STATED

MATERIAL:
SEE ABOVE
FINISH: SEE ABOVE
S/AREA: mm²

TITLE:
SCREENING BRAID ADAPTOR
DRAWING NUMBER:
C90-00X-XXXX
SHT 2 OF 2