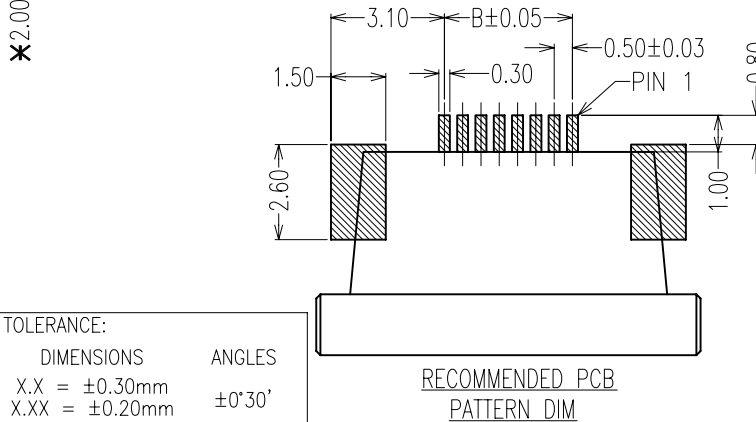


RECOMMENDED APPLICABLE
FPC LAYOUT (THICKNESS: 0.30±0.03)



PIN	A	B	C
04	8.50	1.50	2.60
05	9.00	2.00	3.10
06	9.50	2.50	3.60
07	10.00	3.00	4.10
08	10.50	3.50	4.60
09	11.00	4.00	5.10
10	11.50	4.50	5.60
11	12.00	5.00	6.10
12	12.50	5.50	6.60
13	13.00	6.00	7.10
14	13.50	6.50	7.60
15	14.00	7.00	8.10
16	14.50	7.50	8.60
17	15.00	8.00	9.10
18	15.50	8.50	9.60
19	16.00	9.00	10.10
20	16.50	9.50	10.60
21	17.00	10.00	11.10
22	17.50	10.50	11.60
23	18.00	11.00	12.10
24	18.50	11.50	12.60
25	19.00	12.00	13.10
26	19.50	12.50	13.60
27	20.00	13.00	14.10
28	20.50	13.50	14.60
29	21.00	14.00	15.10
30	21.50	14.50	15.60

PIN	A	B	C
31	22.00	15.00	16.10
32	22.50	15.50	16.60
33	23.00	16.00	17.10
34	23.50	16.50	17.60
35	24.00	17.00	18.10
36	24.50	17.50	18.60
37	25.00	18.00	19.10
38	25.50	18.50	19.60
39	26.00	19.00	20.10
40	26.50	19.50	20.60
41	27.00	20.00	21.10
42	27.50	20.50	21.60
43	28.00	21.00	22.10
44	28.50	21.50	22.60
45	29.00	22.00	23.10
46	29.50	22.50	23.60
47	30.00	23.00	24.10
48	30.50	23.50	24.60
49	31.00	24.00	25.10
50	31.50	24.50	25.60
51	32.00	25.00	26.10
52	32.50	25.50	26.60
53	33.00	26.00	27.10
54	33.50	26.50	27.60
55	34.00	27.00	28.10
56	34.50	27.50	28.60
57	35.00	28.00	29.10
58	35.50	28.50	29.60
59	36.00	29.00	30.10
60	36.50	29.50	30.60



RECOMMENDED PCB
PATTERN DIM

SPECIFICATIONS:

MATERIALS:-

HOUSING: HIGH TEMPERATURE THERMOPLASTIC UL94V-0

COLOUR: BLACK

ACTUATOR: HIGH TEMPERATURE THERMOPLASTIC UL94V-0

COLOUR: WHITE

CONTACT: COPPER ALLOY, T=0.2mm

FITTING NAIL: COPPER ALLOY, T=0.2mm

FINISH:-

CONTACT: TIN PLATED

FITTING NAIL: TIN PLATED

NOTES: ALL DIMENSIONS AND NOTES
MARKED * ARE CRITICAL AND
MUST BE CHECKED IN ACCORDANCE
WITH QUALITY DOC. Q1-02A



*PLEASE CONTACT TECHNICAL SALES
FOR WAYS WITH * FOR AVAILABILITY

TOLERANCE:

DIMENSIONS	ANGLES
X.X = ±0.30mm	±0°30'
X.XX = ±0.20mm	

ORDER CODE
F05E- XX 2146R

NO. OF WAYS

Allan	7	02.09.08	A232
Allan	6	15.09.08	A161
Allan	5	18.12.07	A099
Allan	4	26.07.07	A063
Allan	3	18.07.07	A062
Allan	2	06.07.07	A058
Allan	1	01.08.06	-

NAME	ISS.	DATE	C/NOTE
APPROVED:			
CHECKED: <i>Paul</i>			
DRAWN: Allan			

CUSTOMER REF.:

ASSEMBLY DRG:

HARWIN

HARWIN USA TEL: 603 893 5376 FAX: 603 893 5396 mis@harwin.com	HARWIN Europe (UK) TEL: 023 9231 4545 FAX: 023 9231 4590 mis@harwin.co.uk	HARWIN Asia TEL: +65 6 779 4909 FAX: +65 6 779 3868 mis@harwin.com.sg
------------------------------------------------------------------------	------------------------------------------------------------------------------------	--------------------------------------------------------------------------------

THIS DRAWING AND ANY
INFORMATION OR DESCRIPTIVE
MATTER SET OUT HEREON ARE
CONFIDENTIAL AND COPYRIGHT
PROPERTY OF THE HARWIN
GROUP AND MUST NOT BE
DISCLOSED, LOANED, COPIED
OR USED FOR MANUFACTURING,
TENDERING OR FOR ANY
OTHER PURPOSE WITHOUT
THEIR WRITTEN PERMISSION.

TOLERANCES

X = ±1mm
X.X = ±0.25mm
X.XX = ±0.10mm
X.XXX = ±0.01mm
ANGLES = ±5°
UNLESS STATED

MATERIAL:	SEE ABOVE
FINISH:	SEE ABOVE
S/AREA:	mm ²

TITLE:

0.5 ZIP FPC SMT R/A TYPE
BOTTOM CONTACT

DRAWING NUMBER:
F05E- XX 2146R

SHT
1
OF
1