

# Customer Information Sheet

DRAWING No.: M22-302XX00

SHEET 2 OF 2

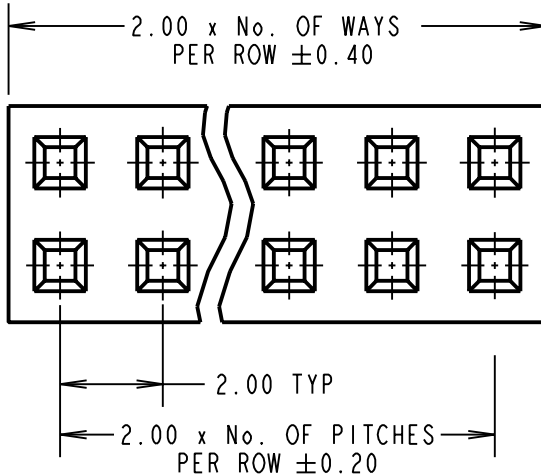
IF IN DOUBT - ASK



NOT TO SCALE

THIRD ANGLE PROJECTION

ALL DIMENSIONS IN mm



**NOTES:**

1. TO BE USED WITH CRIMP CONTACTS M22-30400XX (REELED) OR M22-30500XX (LOOSE).
2. ALL TOLERANCES ARE  $\pm 0.10$  UNLESS OTHERWISE STATED.

**SPECIFICATION:**

**MATERIAL**

MOULDING = NYLON 66 UL94V-2, BLACK

**ELECTRICAL:**

CURRENT RATING = 2A AC, DC

VOLTAGE RATING = 250V AC MAX

CONTACT RESISTANCE (INITIAL) = 10 MILLIOHMS MAX

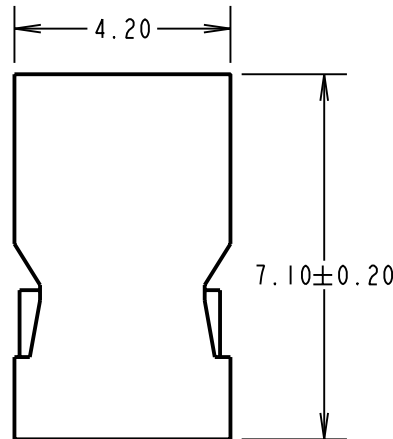
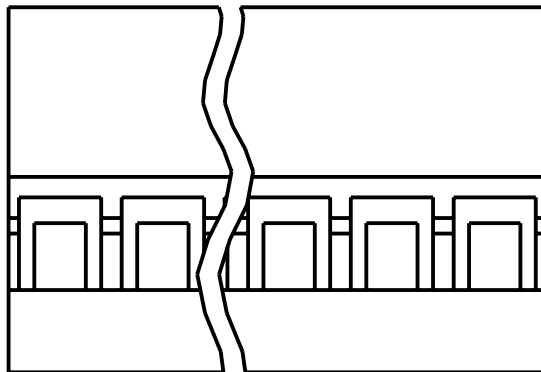
CONTACT RESISTANCE (AFTER CONDITIONING) = 20 MILLIOHMS MAX

DIELECTRIC WITHSTANDING VOLTAGE = 1500V AC FOR 1 MINUTE

INSULATION RESISTANCE = 5000 MEGOHMS MIN

**ENVIRONMENTAL:**

OPERATING TEMPERATURE =  $-40^{\circ}\text{C}$  TO  $+105^{\circ}\text{C}$



ORDER CODE:

**M22-302XX00**

No. OF WAYS PER ROW:   
02 TO 40

JMB	9	16.09.05	8741
NAME	ISS.	DATE	C/NOTE
APPROVED:		R. ADDE	
CHECKED:		M.G. PLESTED	
DRAWN:		A. LIOTTA	
CUSTOMER REF.:			
ASSEMBLY DRG:			

**HARWIN**

HARWIN USA  
TEL: 603 893 5376  
FAX: 603 893 5396  
mis@harwin.com

HARWIN Europe (UK)  
TEL: 023 9231 4545  
FAX: 023 9231 4590  
mis@harwin.co.uk

HARWIN Asia  
TEL: +65 6 779 4909  
FAX: +65 6 779 3868  
mis@harwin.com.sg

THIS DRAWING AND ANY INFORMATION OR DESCRIPTIVE MATTER SET OUT HEREON ARE CONFIDENTIAL AND COPYRIGHT PROPERTY OF THE HARWIN GROUP AND MUST NOT BE DISCLOSED, LOANED, COPIED OR USED FOR MANUFACTURING, TENDERING OR FOR ANY OTHER PURPOSE WITHOUT THEIR WRITTEN PERMISSION.

**TOLERANCES**

~~X =  $\pm 1\text{mm}$   
X.X =  $\pm 0.25\text{mm}$   
X.XX =  $\pm 0.10\text{mm}$   
X.XXX =  $\pm 0.01\text{mm}$   
ANGLES =  $\pm 5^{\circ}$   
UNLESS STATED~~

**MATERIAL:**

SEE ABOVE

FINISH: SEE ABOVE

S/AREA: mm<sup>2</sup>

**TITLE:**

2.00mm DIL CRIMP  
SOCKET HOUSING

DRAWING NUMBER:

**M22-302XX00**

SHT  
2 OF 2