

Customer Information Sheet

DRAWING No.: M22-543XX05

SHEET 2 OF 2

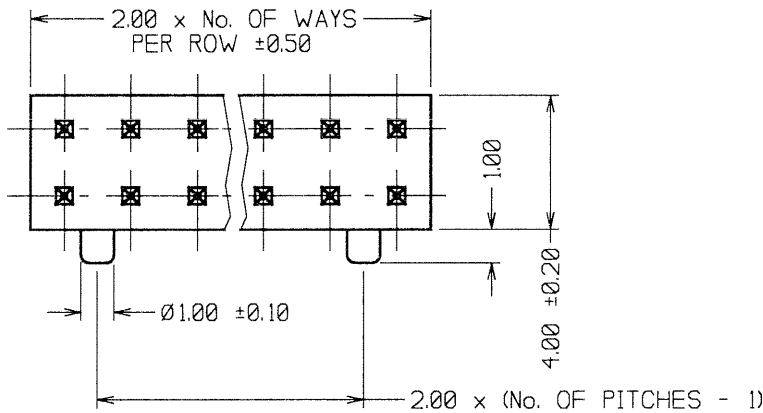
IF IN DOUBT - ASK

©

NOT TO SCALE

THIRD ANGLE PROJECTION

ALL DIMENSIONS IN mm



SPECIFICATION:

MATERIAL:

MOULDING - NYLON 6T UL94V-0, BLACK

CONTACT - BRASS

FINISH:

CONTACT - GOLD

ELECTRICAL:

CURRENT RATING = 1.0A

CONTACT RESISTANCE = 20 MILLIOHMS MAX

INSULATION RESISTANCE = 5,000 MEGOHMS MIN

DIELECTRIC STRENGTH = 500V AC/MINUTE

ENVIRONMENTAL:

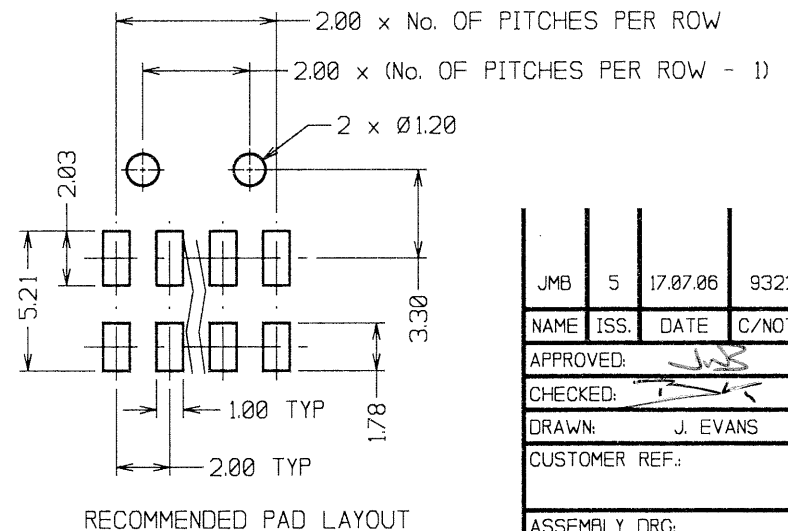
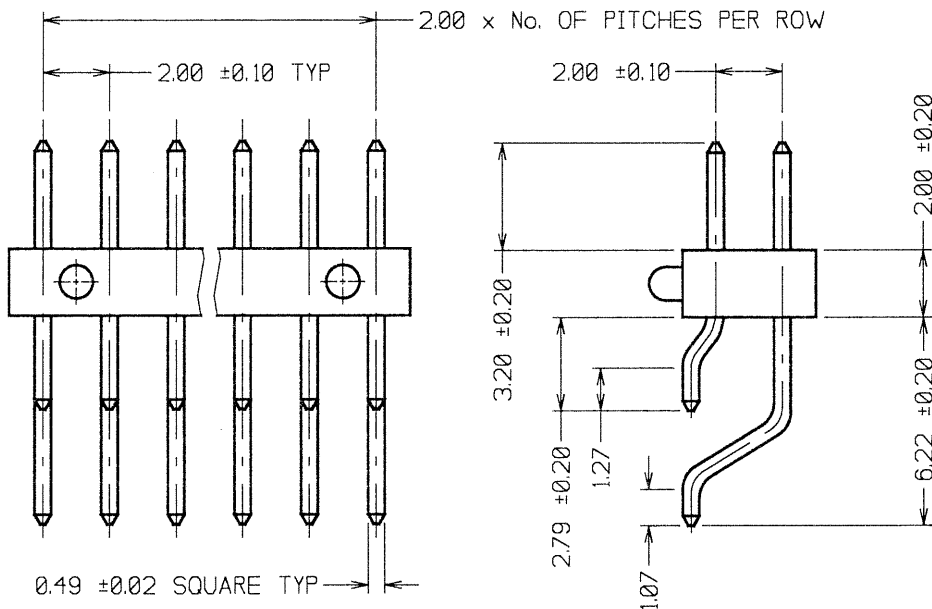
TEMPERATURE RANGE = -40°C TO +105°C

FOR COMPLETE SPECIFICATION, SEE COMPONENT SPECIFICATION C018XX (LATEST ISSUE)

ORDER CODE:

M22-543XX05

No. OF WAYS PER ROW: \rightarrow
03 TO 25



JMB	5	17.07.06	9322
NAME	ISS.	DATE	C/NOTE
APPROVED: <i>JMB</i>			
CHECKED: <i>[Signature]</i>			
DRAWN:		J. EVANS	
CUSTOMER REF.:			
ASSEMBLY DRG:			

HARWIN

HARWIN USA
TEL: 603 893 5376
FAX: 603 893 5396
mis@harwin.com

HARWIN Europe (UK)
TEL: 023 9231 4545
FAX: 023 9231 4590
mis@harwin.co.uk

HARWIN Asia
TEL: +65 6 779 4909
FAX: +65 6 779 3868
mis@harwin.com.sg

THIS DRAWING AND ANY INFORMATION OR DESCRIPTIVE MATTER SET OUT HEREON ARE CONFIDENTIAL AND COPYRIGHT PROPERTY OF THE HARWIN GROUP AND MUST NOT BE DISCLOSED, LOANED, COPIED OR USED FOR MANUFACTURING, TENDERING OR FOR ANY OTHER PURPOSE WITHOUT THEIR WRITTEN PERMISSION.

TOLERANCES
X. = ± 1 mm
X.X = ± 0.25 mm
X.XX = ± 0.10 mm
X.XXX = ± 0.01 mm
ANGLES = $\pm 5^\circ$
UNLESS STATED

MATERIAL:
SEE ABOVE
FINISH: SEE ABOVE
S/AREA: mm²

TITLE:
2.00mm PITCH DIL HORIZONTAL SMT PIN HEADER ASSEMBLY
DRAWING NUMBER:
M22-543XX05

SHT
2
OF
2