



FAN3850T

Microphone Pre-Amplifier with Temperature Compensation and Digital Output

Features

- Optimized for Mobile Handset and Notebook PC Microphone Applications
- Accepts Input from Electret Condenser Microphones
- Pulse Density Modulation (PDM) Output
- Standard 5-Wire Digital Interface
- Amplifier Gain: 15.7dB or 13.7dB
- Negative Temperature Coefficient to Compensate for ECM Positive Temperature Coefficient
- Low Input Capacitance, High PSR, 20kHz Pre-Amplifier
- Low-Power, 1.5µA Sleep Mode
- Typical 420µA Supply Current
- Signal to Noise Ratio of 62.4dB(A)
- Total Harmonic Distortion: 0.01%
- Input Clock Frequency Range of 1-4MHz
- Integrated Low Drop-Out Regulator (LDO)
- Small 1.26mm x 0.86mm 6-Ball WLCSP

Applications

- Electret Condenser Microphones with Digital Output
- Mobile Handsets
- Headset Accessories
- Personal Computers (PC)

Description

The FAN3850T integrates a pre-amplifier, LDO, and Analog-to-Digital Converter (ADC) to convert Electret Condenser Microphone (ECM) outputs to digital Pulse Density Modulation (PDM) data streams. The pre-amplifier accepts analog signals from the ECM and drives an over-sampled sigma delta ADC and outputs PDM data. The PDM digital audio has the advantage of noise rejection and interface-to-mobile handset processors.

The FAN3850T is powered from the system supply rails up to 3.63V, with a low power consumption of only 0.85mW, and less than 20µW in Power-Down Mode. The device compensates for the temperature variation of the microphone element to achieve a flat sensitivity response over-temperature.

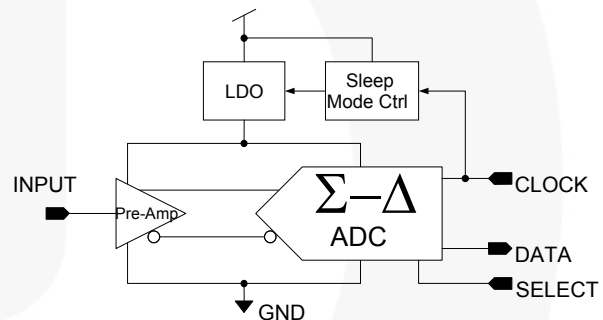


Figure 1. Block Diagram

Ordering Information

Part Number	Gain Option	Operating Temperature Range	Package	Packing Method
FAN3850TUC15X35	15.7dB	-30°C to +85°C	6-Ball, Wafer-Level Chip-Scale Package (WLCSP)	3000 Unit Tape & Reel
FAN3850TUC13X35	13.7dB			

Note:

1. Alternate gain options and temperature coefficient slopes are possible. Please contact a Fairchild representative.

Pin Configuration

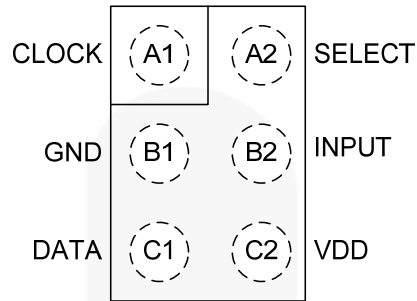


Figure 2. Pin Configuration (Top View)

Pin Definitions

Pin#	Name	Type	Description
A1	CLOCK	Input	Clock Input
B1	GND	Input	Ground Pin
C1	DATA	Output	PDM Output – 1-Bit ADC
A2	SELECT	Input	Rising or Falling Clock-Edge Select
B2	INPUT	Input	Microphone Input
C2	VDD	Input	Device Power Pin

Absolute Maximum Ratings

Stresses exceeding the absolute maximum ratings may damage the device. The device may not function or be operable above the recommended operating conditions and stressing the parts to these levels is not recommended. In addition, extended exposure to stresses above the recommended operating conditions may affect device reliability. The absolute maximum ratings are stress ratings only.

Symbol	Parameter	Min.	Max.	Unit
V _{DD}	DC Supply Voltage	-0.3	4.0	V
V _{IO}	Analog and Digital I/O	-0.3	V _{CC} +0.3	V
ESD	Human Body Model, JESD22-A114 ⁽²⁾ , All Pins Except Microphone Input	±7		kV
	Human Body Model, JESD22-A114 ⁽²⁾ , Microphone Input	±300		V

Note:

- This device is fabricated using CMOS technology and is therefore susceptible to damage from electrostatic discharges. Appropriate precautions must be taken during handling and storage of this device to prevent exposure to ESD.

Reliability Information

Symbol	Parameter	Min.	Typ.	Max.	Unit
T _J	Junction Temperature			+150	°C
T _{STG}	Storage Temperature Range	-65		+125	°C
T _{REFLOW}	Peak Reflow Temperature			+260	°C
θ _{JA}	Thermal Resistance, JEDEC Standard, Multilayer Test Boards, Still Air		90		°C/W

Recommended Operating Conditions

The Recommended Operating Conditions table defines the conditions for actual device operation. Recommended operating conditions are specified to ensure optimal performance to the datasheet specifications. Fairchild does not recommend exceeding them or designing to Absolute Maximum Ratings.

Symbol	Parameter	Min.	Typ.	Max.	Unit
T _A	Operating Temperature Range	-30		+85	°C
V _{DD}	Supply Voltage Range	1.64	1.80	3.63	V
t _{RF-CLK}	Clock Rise and Fall Time			10	ns

Electrical Characteristics

Unless otherwise specified, all limits are guaranteed for $T_A=25^\circ\text{C}$, $V_{DD}=1.8\text{V}$, $V_{IN}=94\text{dB (SPL)}$, $f_{CLK}=2.4\text{MHz}$, duty cycle = 50%, and $C_{MIC}=15\text{pF}$.

Symbol	Parameter	Condition	Min.	Typ.	Max.	Unit
V_{DD}	Supply Voltage Range		1.64	1.80	3.63	V
I_{DD}	Supply Current	INPUT=AC Coupled to GND, CLOCK=On, No Load		420		μA
I_{SLEEP}	Sleep Mode Current	$f_{CLK}=\text{GND}$		1.4	8.0	μA
PSR	Power Supply Rejection ⁽⁷⁾	INPUT=AC Coupled to GND, Test Signal on $V_{DD}=217\text{Hz}$ Square Wave and Broad Band Noise ⁽³⁾ both 100mV_{P-P}		-80		dBFS
I_{NOM}	Nominal Sensitivity ⁽⁴⁾	INPUT=94dB SPL		-26		dBFS
SNR	Signal-to-Noise Ratio	$f_{IN}=1\text{kHz}$ 1Pa, A-Weighted		62.4		dB(A)
e_N	Input Referred Noise ⁽⁷⁾	20Hz to 20kHz, A-Weighted 15.7dB Gain		5.3	8.6	μV_{RMS}
THD	Total Harmonic Distortion ⁽⁵⁾	$f_{IN}=1\text{kHz}$, INPUT=-26dBFS		0.01	0.10	%
THD+N	THD and Noise ⁽⁷⁾	$50\text{Hz} \leq f_{IN} \leq 1\text{kHz}$, INPUT=-20dBFS		0.2	1.0	%
		$f_{IN}=1\text{kHz}$, INPUT=-5dBFS		1.0	5.0	
		$f_{IN}=1\text{kHz}$, INPUT=0dBFS		5.0	10.0	
t_c	Temperature Coefficient ^(7,11)	Gain Measured at 50°C and -10°C		-0.035		dB/ $^\circ\text{C}$
C_{IN}	Input Capacitance ^(7,11)	INPUT		0.2		pF
R_{IN}	Input Resistance ^(7,11)	INPUT	>100			G Ω
V_{IL}	CLOCK & SELECT Input, Logic LOW Level				0.3	V
V_{IH}	CLOCK & SELECT Input, Logic HIGH Level		1.5		$V_{DD}+0.3$	V
V_{OL}	Data Output, Logic LOW Level				$0.35 \times V_{DD}$	V
V_{OH}	Data Output, Logic HIGH Level		$0.65 \times V_{DD}$			V
V_{IN15dB}	Maximum Input Signal for 15.7dB of Gain ⁽⁵⁾	$f_{IN}=1\text{kHz}$, THD+N < 10%; DC Level=0V			503	mV _{PP}
V_{OUT}	Acoustic Overload Point ⁽¹¹⁾	THD < 10%	120			dB SPL

Continued on the following page...

Electrical Characteristics (Continued)

Unless otherwise specified, all limits are guaranteed for $T_A=25^\circ\text{C}$, $V_{DD}=1.8\text{V}$, $V_{IN}=94\text{dB (SPL)}$, $f_{CLK}=2.4\text{MHz}$, duty cycle = 50%, and $C_{MIC}=15\text{pF}$.

Symbol	Parameter	Condition	Min.	Typ.	Max.	Unit
t_A	Time from CLOCK Transition to Data Becoming Valid	On Falling Edge of CLOCK, SELECT=GND, $C_{LOAD}=15\text{pF}$	18	43		ns
t_B	Time from CLOCK Transition to Data Becoming Hi-Z	On Rising Edge of CLOCK, SELECT=GND, $C_{LOAD}=15\text{pF}$	0	5	16	ns
t_A	Time from CLOCK Transition to Data Becoming Valid	On Rising Edge of CLOCK, SELECT= V_{DD} , $C_{LOAD}=15\text{pF}$	18	56		ns
t_B	Time from CLOCK Transition to Data Becoming Hi-Z	On Falling Edge of CLOCK, SELECT= V_{DD} , $C_{LOAD}=15\text{pF}$	0	5	16	ns
f_{CLK}	Input CLOCK Frequency ⁽⁸⁾	Active Mode	1.0	2.4	4.0	MHz
CLK_{dc}	CLOCK Duty Cycle ⁽⁷⁾		40	50	60	%
t_{WAKEUP}	Wake-Up Time ⁽⁹⁾	$f_{CLK}=2.4\text{MHz}$		0.35	2.00	ms
$t_{FALLASLEEP}$	Fall-Asleep Time ⁽¹⁰⁾	$f_{CLK}=2.4\text{MHz}$	0	0.01	1.00	ms
C_{LOAD}	Load Capacitance on Data				100	pF

Notes:

3. Pseudo-random noise with triangular probability density function. Bandwidth up to 10MHz.
4. Assumes 120dB(SPL) is mapped to 0dBFS.
5. Assumes an input -41, or -38dBV, depending on the part-specific gain.
6. Verified by design simulation, showing idle tones and low noise level modulation to be typical 96dB.
7. Guaranteed by characterization.
8. All parameters are tested at 2.4MHz. Frequency range guaranteed by characterization.
9. Device wakes up when $f_{CLK} \geq 300\text{kHz}$.
10. Device falls asleep when $f_{CLK} \leq 70\text{kHz}$.
11. Guaranteed by design.
12. Temperature coefficient is calculated by measuring gain in db at 50°C and -10°C and dividing by 60 (Gain(50°C) - Gain(-10°C)/60).

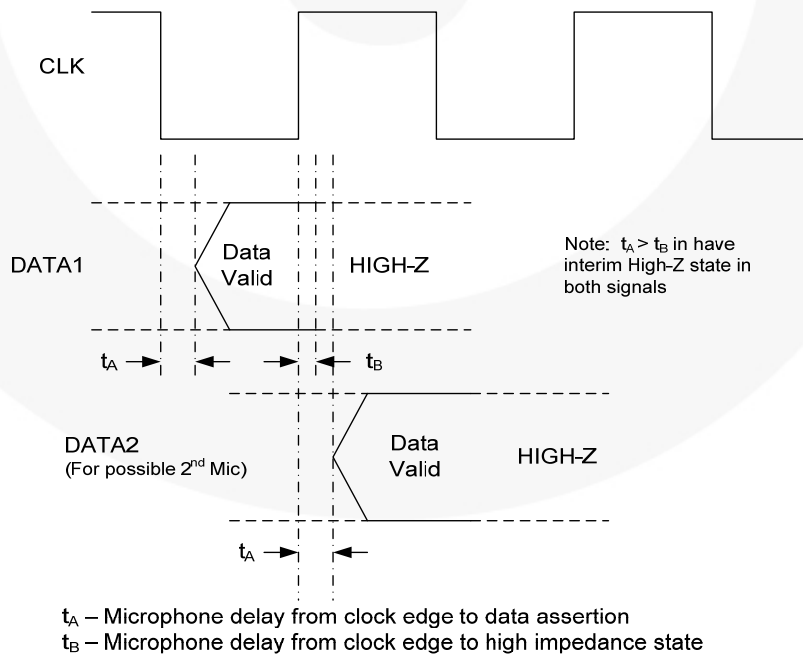


Figure 3. Interface Timing

Typical Performance Characteristics

Unless otherwise specified, all limits are guaranteed for $T_A=25^\circ\text{C}$, $V_{DD}=1.8\text{V}$, $V_{IN}=94\text{dB(SPL)}$, $f_{CLK}=2.4\text{MHz}$, and duty cycle=50%.

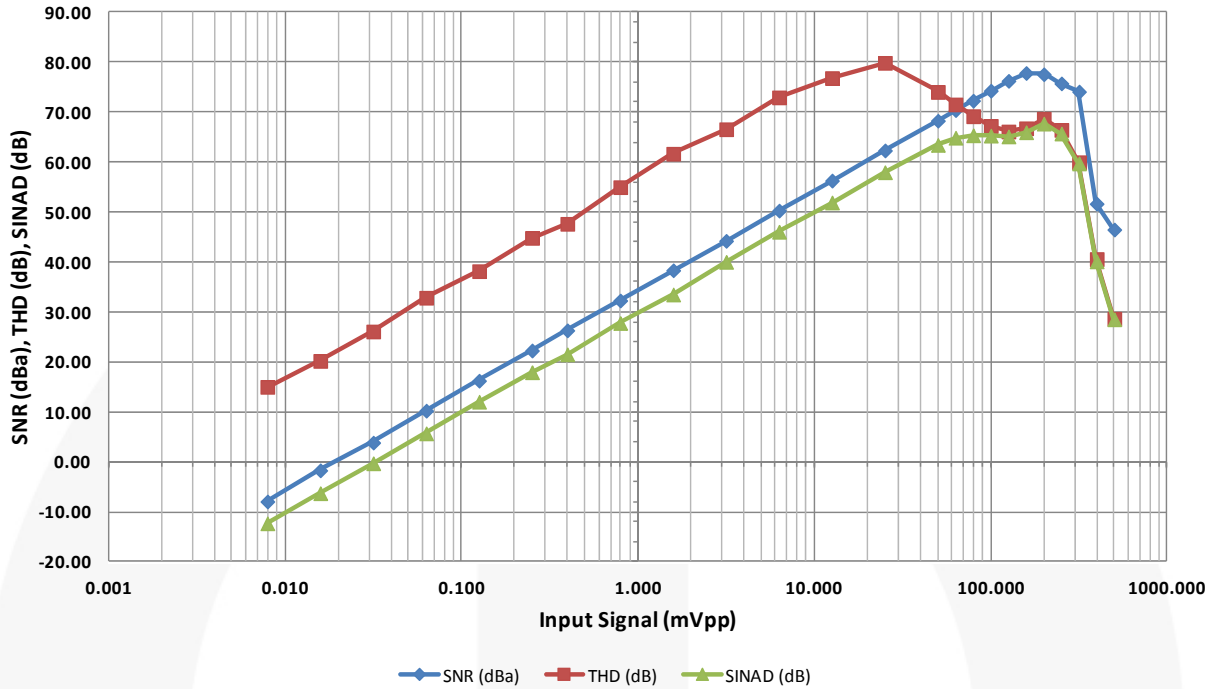


Figure 4. THD, SINAD, and SNR vs. Input Amplitude

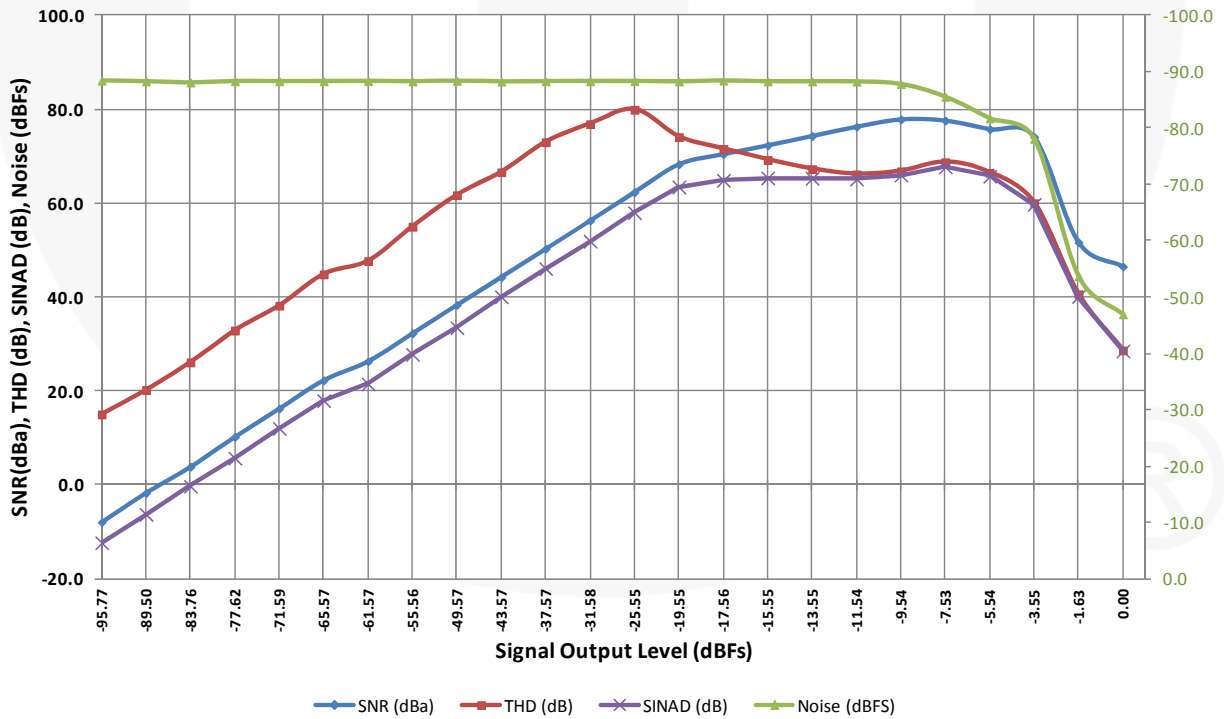


Figure 5. THD, SINAD, and SNR vs. Output Level

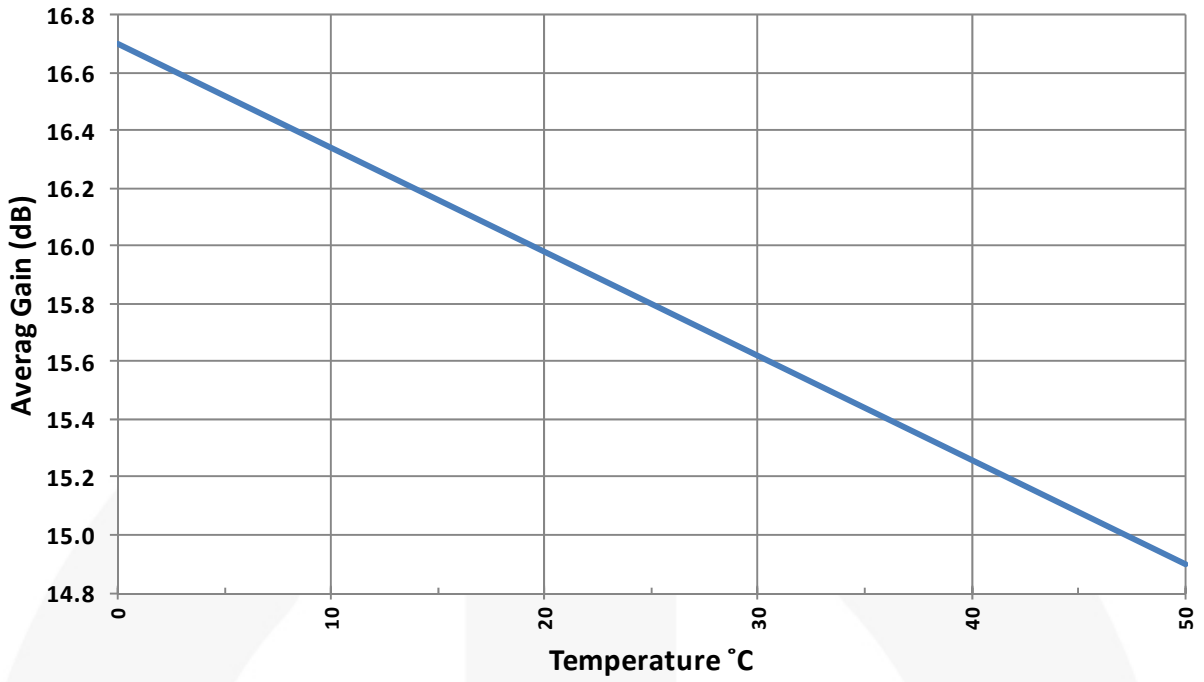


Figure 6. Gain vs. Temperature ($\sim .035\text{db}/^\circ\text{C}$)(1)

Note:

13. Alternate temperature coefficient slopes are possible. Please contact a Fairchild representative.

Applications Information

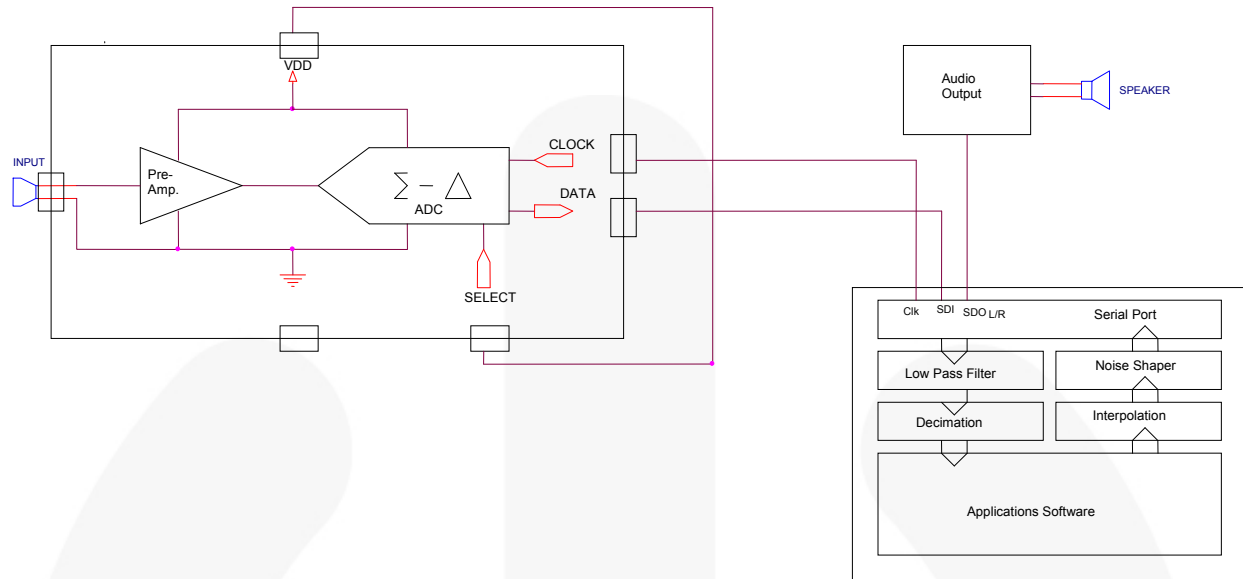


Figure 7. Mono Microphone Application Circuit

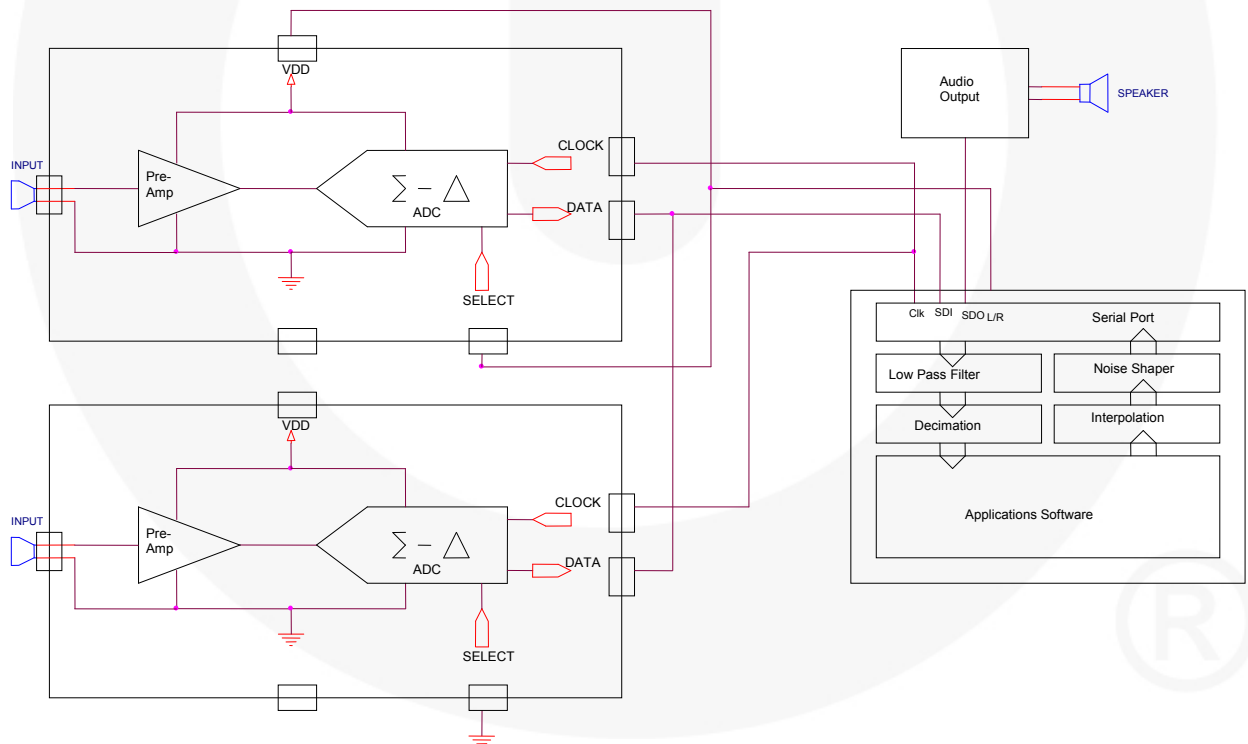


Figure 8. Stereo Microphone Application Circuit

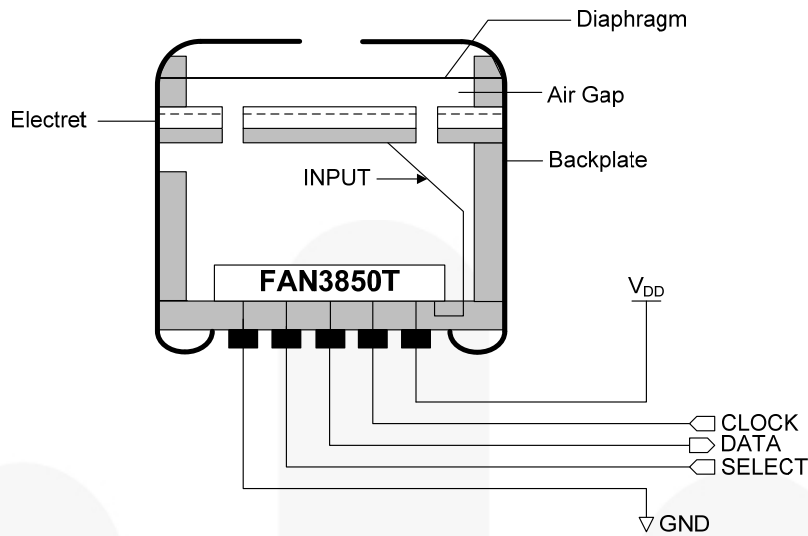


Figure 9. MIC Element Drawing

Applications Information

A 0.1 μ F decoupling capacitor is required for V_{DD} . It can be located either inside the microphone or on the PCB very close to the V_{DD} pin.

Due to high input impedance, careful consideration should be taken to remove all flux used during the reflow soldering process.

A 100 Ω resistance is recommended on the clock output of the device driving the FAN3850T to minimize ringing and improve signal integrity.

For optimal PSR, route a trace to the V_{DD} pin. Do not place a V_{DD} plane under the device.

Physical Dimensions

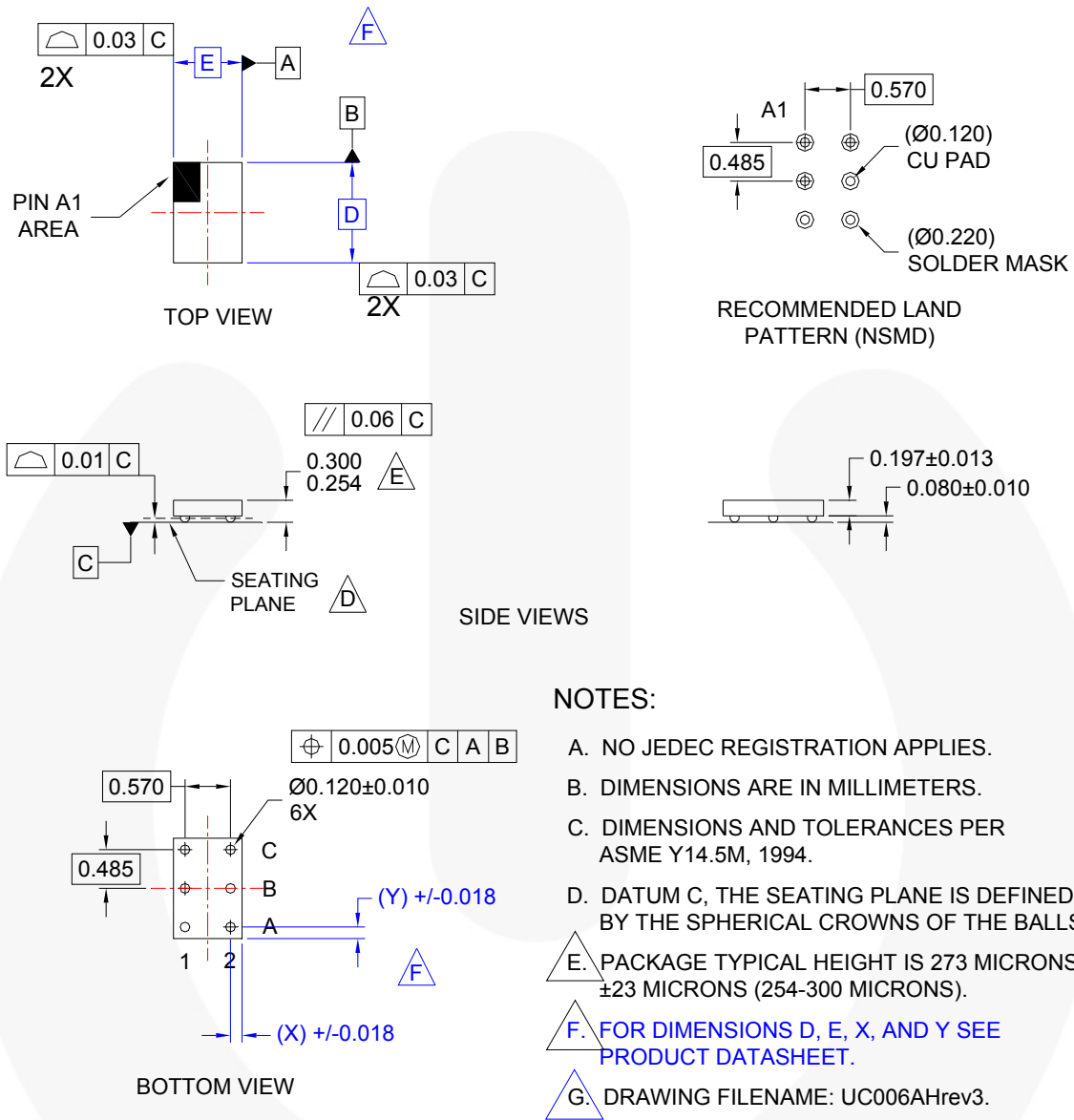


Figure 10. 6-Ball, Wafer-Level Chip-Scale Package (WLCSP)

Table 1. Product-Specific Dimensions

D	E	X	Y
1.260mm	0.860mm	0.145mm	0.145mm
Ball Composition: SN97.5-Ag2.5			



Package drawings are provided as a service to customers considering Fairchild components. Drawings may change in any manner without notice. Please note the revision and/or date on the drawing and contact a Fairchild Semiconductor representative to verify or obtain the most recent revision. Package specifications do not expand the terms of Fairchild's worldwide terms and conditions, specifically the warranty therein, which covers Fairchild products.

Always visit Fairchild Semiconductor's online packaging area for the most recent package drawings:
<http://www.fairchildsemi.com/packaging/>.



TRADEMARKS

The following includes registered and unregistered trademarks and service marks, owned by Fairchild Semiconductor and/or its global subsidiaries, and is not intended to be an exhaustive list of all such trademarks.

- | | | | |
|--|--|---|---|
| 2Cool™ | F-PFS™ | PowerTrench® | The Power Franchise® |
| AccuPower™ | FRFET® | PowerXS™ | the power franchise™ |
| AX-CAP™* | Global Power Resource™ | Programmable Active Droop™ | TinyBoost™ |
| BitSiC™ | GreenBridge™ | QFET® | TinyBuck™ |
| Build it Now™ | Green FPS™ | QS™ | TinyCalc™ |
| CorePLUS™ | Green FPS™ e-Series™ | Quiet Series™ | TinyLogic® |
| CorePOWER™ | Gmax™ | RapidConfigure™ | TINYOPTO™ |
| CROSSVOLT™ | GTO™ |  ™ | TinyPower™ |
| CTL™ | IntelliMAX™ | Saving our world, 1mW/W/kW at a time™ | TinyPwm™ |
| Current Transfer Logic™ | ISOPLANAR™ | SignalWise™ | TinyWire™ |
| DEUXPEED® | Making Small Speakers Sound Louder and Better™ | SmartMax™ | TranSiC™ |
| Dual Cool™ | MegaBuck™ | SMART START™ | TriFault Detect™ |
| EcoSPARK® | MICROCOUPLER™ | Solutions for Your Success™ | TRUECURRENT®* |
| EfficientMax™ | MicroFET™ | SPM® | µSerDes™ |
| ESBC™ | MicroPak™ | STEALTH™ |  ™ |
|  Fairchild® | MicroPak2™ | SuperFET® | UHC® |
| Fairchild Semiconductor® | MillerDrive™ | SuperSOT™-3 | Ultra FRFET™ |
| FACT Quiet Series™ | MotionMax™ | SuperSOT™-6 | UniFET™ |
| FACT® | Motion-SPM™ | SuperSOT™-8 | VCX™ |
| FAST® | mWSaver™ | SupreMOS® | VisualMax™ |
| FastvCore™ | OptoHit™ | SyncFET™ | VoltagePlus™ |
| FETBench™ | OPTOLOGIC® | Sync-Lock™ | XS™ |
| FlashWriter®* | OPTOPLANAR® |  * | |
| FPS™ | | | |

* Trademarks of System General Corporation, used under license by Fairchild Semiconductor.

DISCLAIMER

FAIRCHILD SEMICONDUCTOR RESERVES THE RIGHT TO MAKE CHANGES WITHOUT FURTHER NOTICE TO ANY PRODUCTS HEREIN TO IMPROVE RELIABILITY, FUNCTION, OR DESIGN. FAIRCHILD DOES NOT ASSUME ANY LIABILITY ARISING OUT OF THE APPLICATION OR USE OF ANY PRODUCT OR CIRCUIT DESCRIBED HEREIN; NEITHER DOES IT CONVEY ANY LICENSE UNDER ITS PATENT RIGHTS, NOR THE RIGHTS OF OTHERS. THESE SPECIFICATIONS DO NOT EXPAND THE TERMS OF FAIRCHILD'S WORLDWIDE TERMS AND CONDITIONS, SPECIFICALLY THE WARRANTY THEREIN, WHICH COVERS THESE PRODUCTS.

LIFE SUPPORT POLICY

FAIRCHILD'S PRODUCTS ARE NOT AUTHORIZED FOR USE AS CRITICAL COMPONENTS IN LIFE SUPPORT DEVICES OR SYSTEMS WITHOUT THE EXPRESS WRITTEN APPROVAL OF FAIRCHILD SEMICONDUCTOR CORPORATION.

As used herein:

1. Life support devices or systems are devices or systems which, (a) are intended for surgical implant into the body or (b) support or sustain life, and (c) whose failure to perform when properly used in accordance with instructions for use provided in the labeling, can be reasonably expected to result in a significant injury of the user.
2. A critical component in any component of a life support, device, or system whose failure to perform can be reasonably expected to cause the failure of the life support device or system, or to affect its safety or effectiveness.

ANTI-COUNTERFEITING POLICY

Fairchild Semiconductor Corporation's Anti-Counterfeiting Policy. Fairchild's Anti-Counterfeiting Policy is also stated on our external website, www.fairchildsemi.com, under Sales Support.

Counterfeiting of semiconductor parts is a growing problem in the industry. All manufacturers of semiconductor products are experiencing counterfeiting of their parts. Customers who inadvertently purchase counterfeit parts experience many problems such as loss of brand reputation, substandard performance, failed applications, and increased cost of production and manufacturing delays. Fairchild is taking strong measures to protect ourselves and our customers from the proliferation of counterfeit parts. Fairchild strongly encourages customers to purchase Fairchild parts either directly from Fairchild or from Authorized Fairchild Distributors who are listed by country on our web page cited above. Products customers buy either from Fairchild directly or from Authorized Fairchild Distributors are genuine parts, have full traceability, meet Fairchild's quality standards for handling and storage and provide access to Fairchild's full range of up-to-date technical and product information. Fairchild and our Authorized Distributors will stand behind all warranties and will appropriately address any warranty issues that may arise. Fairchild will not provide any warranty coverage or other assistance for parts bought from Unauthorized Sources. Fairchild is committed to combat this global problem and encourage our customers to do their part in stopping this practice by buying direct or from authorized distributors.

PRODUCT STATUS DEFINITIONS

Definition of Terms

Datasheet Identification	Product Status	Definition
Advance Information	Formative / In Design	Datasheet contains the design specifications for product development. Specifications may change in any manner without notice.
Preliminary	First Production	Datasheet contains preliminary data; supplementary data will be published at a later date. Fairchild Semiconductor reserves the right to make changes at any time without notice to improve design.
No Identification Needed	Full Production	Datasheet contains final specifications. Fairchild Semiconductor reserves the right to make changes at any time without notice to improve the design.
Obsolete	Not In Production	Datasheet contains specifications on a product that is discontinued by Fairchild Semiconductor. The datasheet is for reference information only.

Rev. I61