

Customer Information Sheet

DRAWING No.: M22-713XXXX

SHEET 2 OF 2

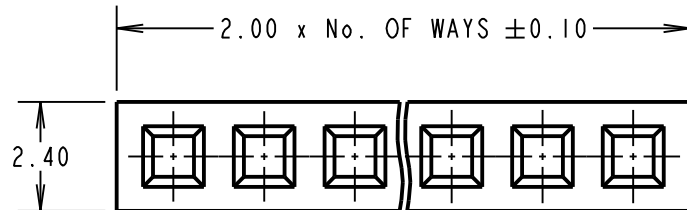
IF IN DOUBT - ASK

©

NOT TO SCALE

THIRD ANGLE PROJECTION

ALL DIMENSIONS IN mm



ORDER CODE:
M22-713XXXX

No. OF WAYS _____
03 TO 32

FINISH: _____
42 = SELECTIVE GOLD +
100% TIN (MATT FINISH)

SPECIFICATION:

MATERIAL:

MOULDING - LCP UL94V-0, BLACK

CONTACTS - PHOSPHOR BRONZE

FINISH: (OVER NICKEL)

42 = 1.27µ GOLD ON CONTACT AREA,

2.54µ 100% TIN OVER NICKEL

(MATTE FINISH) ON TAILS

MECHANICAL:

INSERTION FORCE - 2N MAX

WITHDRAWAL FORCE - 0.2N MIN

DURABILITY - 1000 OPERATIONS

ELECTRICAL:

CURRENT RATING - 1A AC/DC

VOLTAGE PROOF - 500V AC MIN

CONTACT RESISTANCE - 20 MILLIOHMS MAX

INSULATION RESISTANCE - 1000 MEGAOHMS MIN

DIELECTRIC WITHSTANDING - 500V AC FOR 1 MIN

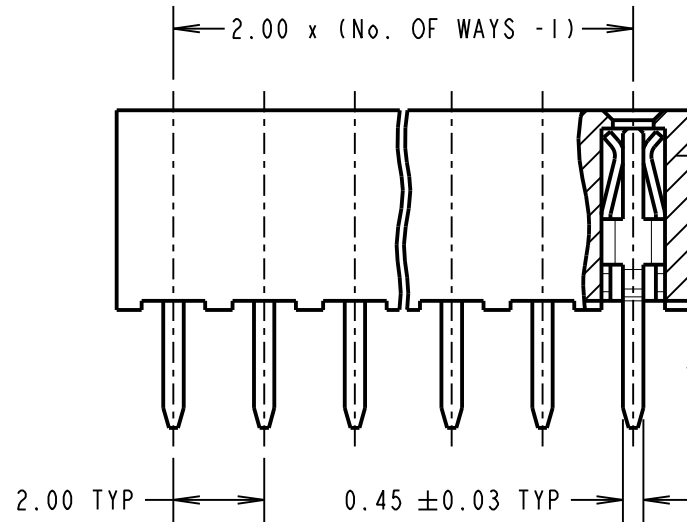
ENVIRONMENTAL:

TEMPERATURE RANGE = -40° TO +105°

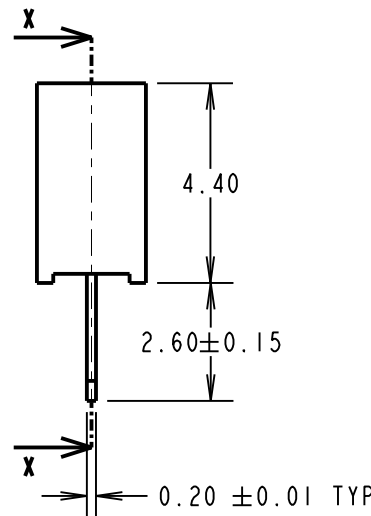
PACKING:

TUBE

FOR COMPLETE SPECIFICATION SEE COMPONENT SPECIFICATION C018XX (LATEST ISSUE)



PART SECTION X-X



NOTES:

1. RECOMMENDED PCB HOLE SIZE = \varnothing 0.80mm

SM	6	17.09.10	10936
NAME	ISS.	DATE	C/NOTE
APPROVED: S. MCCULLAGH			
CHECKED: R. ADDE			
DRAWN: J. EVANS			
CUSTOMER REF.:			
ASSEMBLY DRG:			

HARWIN

HARWIN USA
TEL: 603 893 5376
FAX: 603 893 5396
mis@harwin.com

HARWIN Europe (UK)
TEL: 023 9231 4545
FAX: 023 9231 4590
mis@harwin.co.uk

HARWIN Asia
TEL: +65 6 779 4909
FAX: +65 6 779 3868
mis@harwin.com.sg

THIS DRAWING AND ANY INFORMATION OR DESCRIPTIVE MATTER SET OUT HEREON ARE CONFIDENTIAL AND COPYRIGHT PROPERTY OF THE HARWIN GROUP AND MUST NOT BE DISCLOSED, LOANED, COPIED OR USED FOR MANUFACTURING, TENDERING OR FOR ANY OTHER PURPOSE WITHOUT THEIR WRITTEN PERMISSION.

TOLERANCES

X. = ±1mm
X.X = ±0.25mm
X.XX = ±0.10mm
X.XXX = ±0.01mm

ANGLES = ±5°
UNLESS STATED

MATERIAL:

SEE ABOVE

FINISH:

SEE ABOVE

S/AREA:

mm²

TITLE:

2.00mm PITCH SIL
VERTICAL SOCKET ASSEMBLY

DRAWING NUMBER:

M22-713XXXX

SHT

2 OF 2