

# Customer Information Sheet

DRAWING No.: M52-510XX45

SHEET 2 OF 2

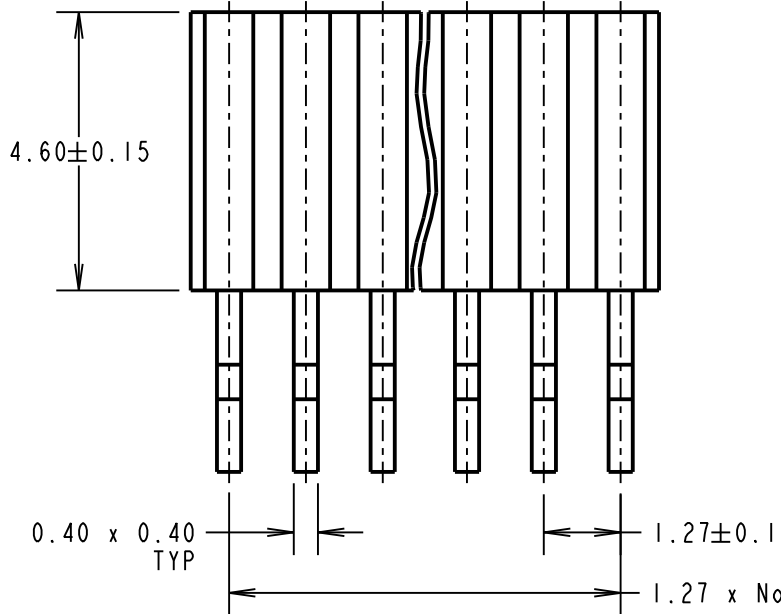
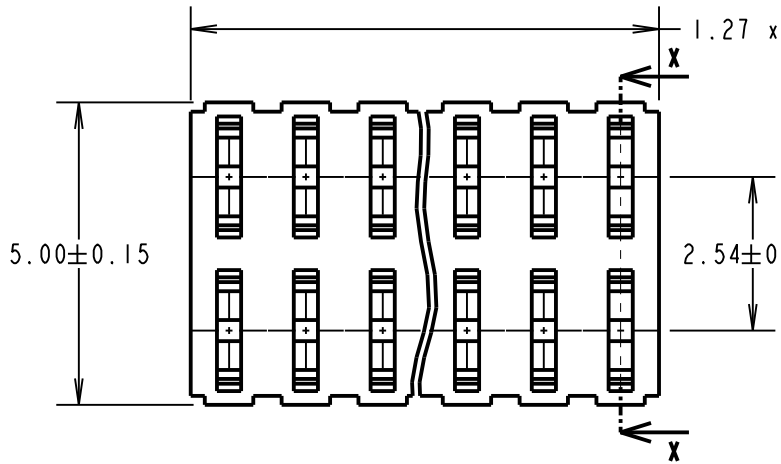
IF IN DOUBT - ASK

Ⓒ

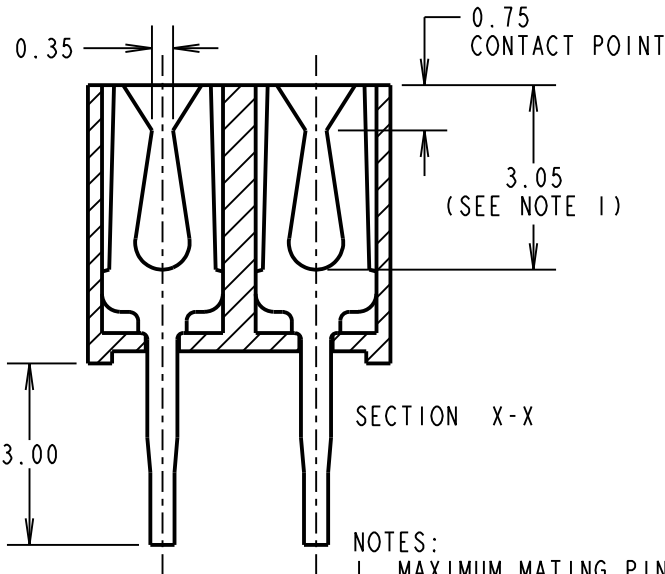
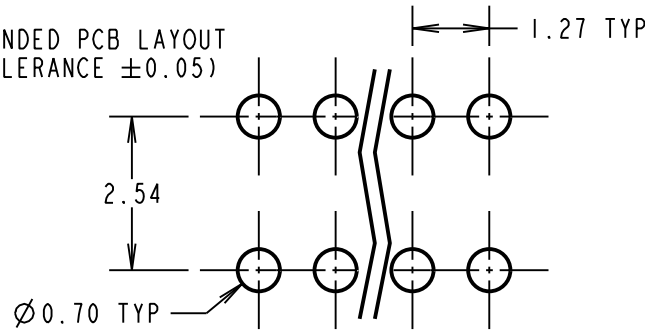
NOT TO SCALE

THIRD ANGLE PROJECTION

ALL DIMENSIONS IN mm



RECOMMENDED PCB LAYOUT  
(PCB TOLERANCE ±0.05)



**SPECIFICATIONS:**  
**MATERIAL:**  
 MOULDING = NYLON 6T UL94V-0, BLACK  
 CONTACT = PHOSPHOR BRONZE  
**FINISH:**  
 CONTACT = GOLD OVER NICKEL  
**ELECTRICAL:**  
 CURRENT RATING = 1A  
 VOLTAGE PROOF = 500V AC FOR 1 MINUTE  
 CONTACT RESISTANCE = 20mΩ MAX  
 INSULATION RESISTANCE = 1,000MΩ MIN  
**MECHANICAL:**  
 INSERTION FORCES = 2N MAX PER PIN  
 WITHDRAWAL FORCES = 0.15N MIN PER PIN  
 DURABILITY = 300 CYCLES  
**ENVIRONMENTAL:**  
 OPERATING TEMPERATURE = -40°C TO +105°C  
**PACKING:**  
 TUBE

ORDER CODE:  
**M52-510XX45**  
 No. OF WAYS PER ROW  
 03 TO 40  
 FINISH: GOLD

SB	9	12.04.12	11702
NAME	ISS.	DATE	C/NOTE
APPROVED:		S. BENNETT	
CHECKED:		S. FLOWER	
DRAWN:		J. ENRIGHT	
CUSTOMER REF.:			
ASSEMBLY DRG:			

**NOTES:**  
 1. MAXIMUM MATING PIN LENGTH = 3.05mm.  
 2. ALL TOLERANCES ARE ±0.25 UNLESS OTHERWISE STATED.

## HARWIN

www.harwin.com  
 technical@harwin.com

THIS DRAWING AND ANY INFORMATION OR DESCRIPTIVE MATTER SET OUT HEREON ARE CONFIDENTIAL AND COPYRIGHT PROPERTY OF THE HARWIN GROUP AND MUST NOT BE DISCLOSED, LOANED, COPIED OR USED FOR MANUFACTURING, TENDERING OR FOR ANY OTHER PURPOSE WITHOUT THEIR WRITTEN PERMISSION.

**TOLERANCES**  
~~X = ±1mm~~  
~~X.X = ±0.25mm~~  
~~X.XX = ±0.10mm~~  
~~X.XXX = ±0.01mm~~  
 ANGLES = ±5°  
 UNLESS STATED

**MATERIAL:**  
 SEE ABOVE  
**FINISH:**  
 SEE ABOVE  
**S/AREA:**  
 mm<sup>2</sup>

**TITLE:**  
 1.27mm PITCH DIL  
 VERTICAL PC TAIL SOCKET ASSY  
**DRAWING NUMBER:**  
**M52-510XX45**  
 SHT  
 2 OF 2