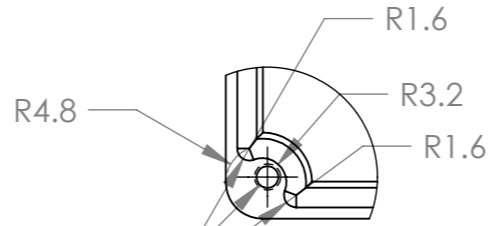
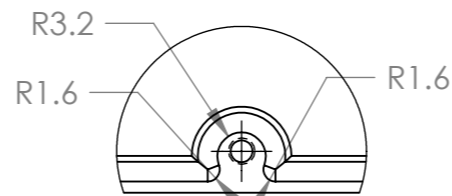
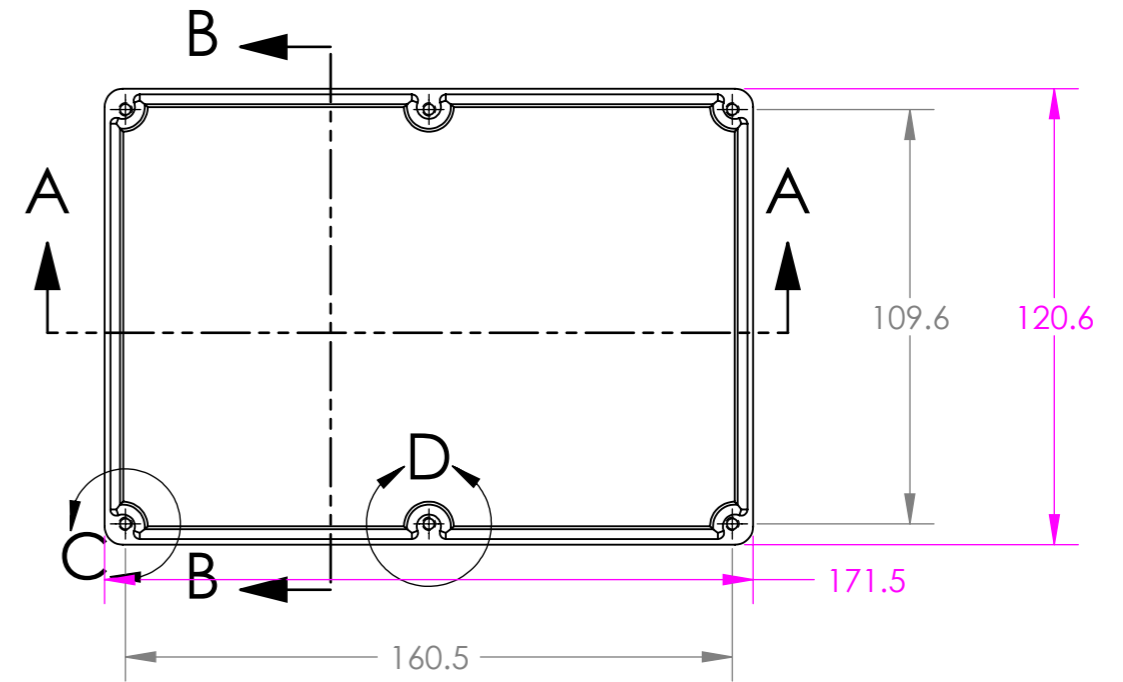


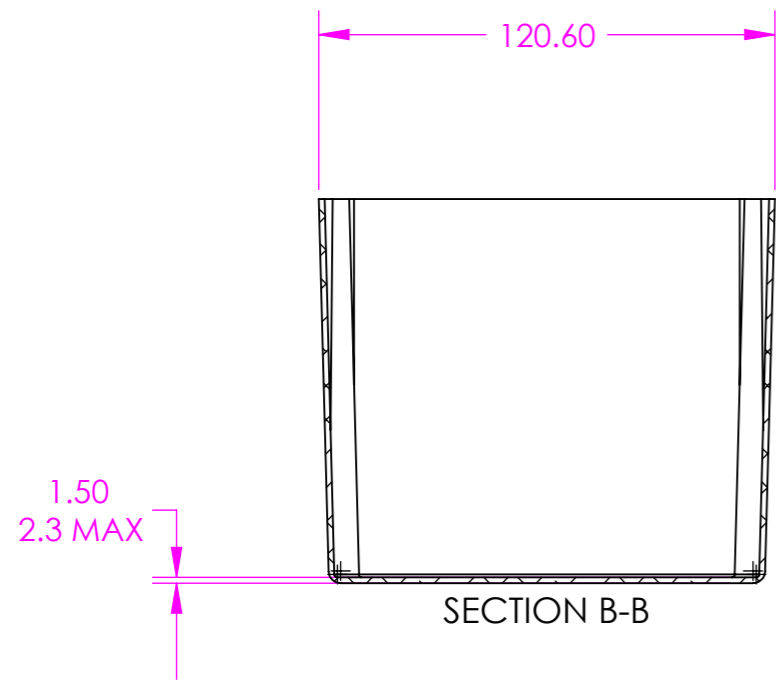
DETAIL C  
SCALE 1:1



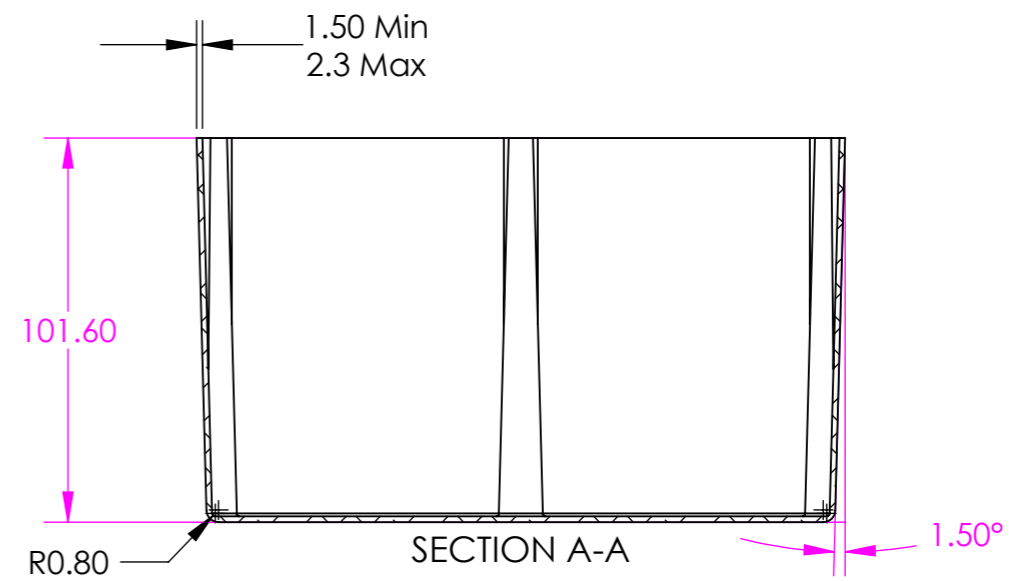
6X  $\varnothing$  2.90  $\nabla$  13.80  
M3.5X0.6 - 6H  $\nabla$  12



DETAIL D  
SCALE 1:1



SECTION B-B



SECTION A-A

|               | GENERAL PURPOSE |               |              |
|---------------|-----------------|---------------|--------------|
| SIZE          | PLAIN           | POWDER COATED | NYLON COATED |
| F             | 459-0060        | 461-0060      | 462-0060     |
| <b>SEALED</b> |                 |               |              |
| F             | 460-0060        | 453-0060      | 454-0060     |