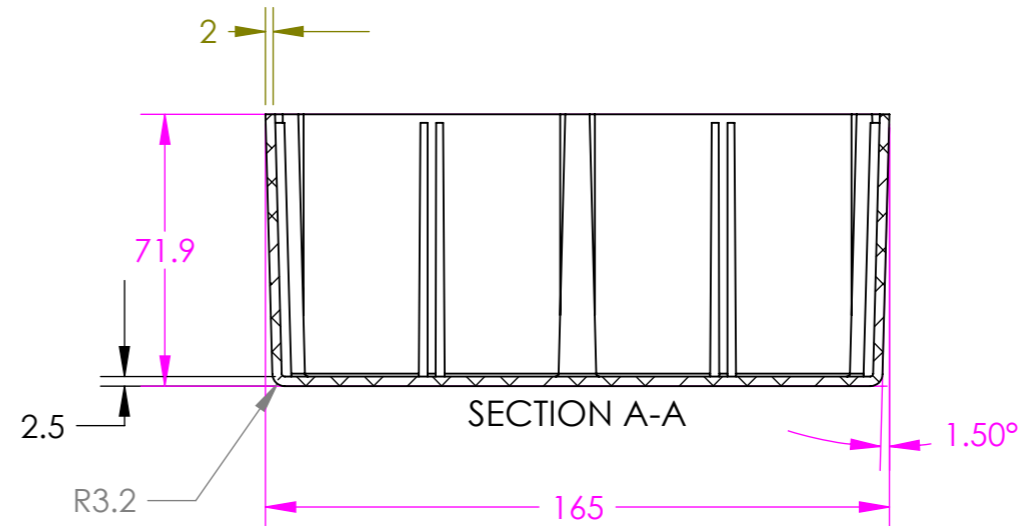
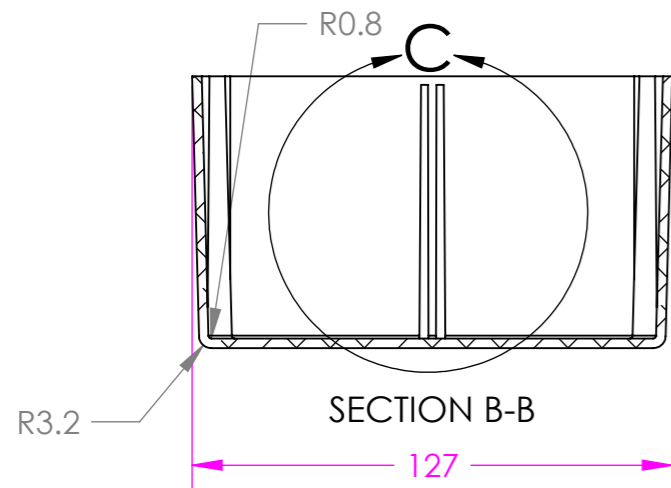
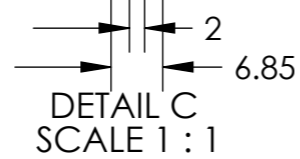
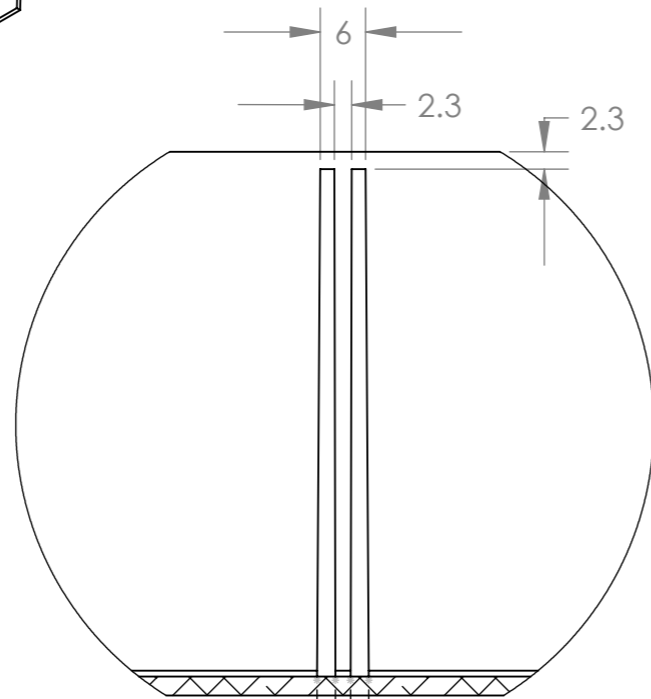
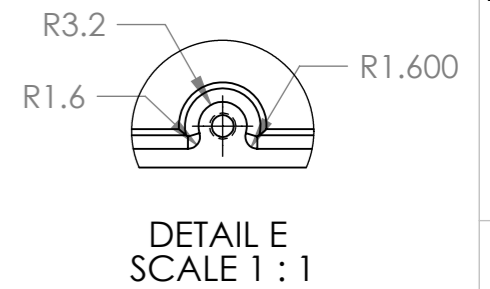
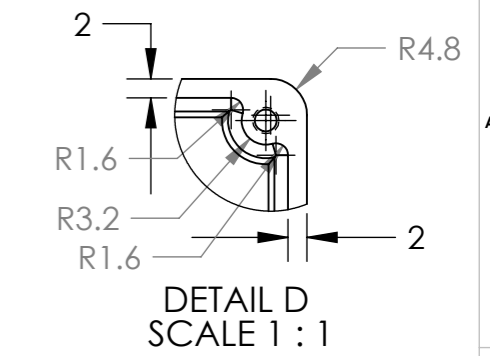
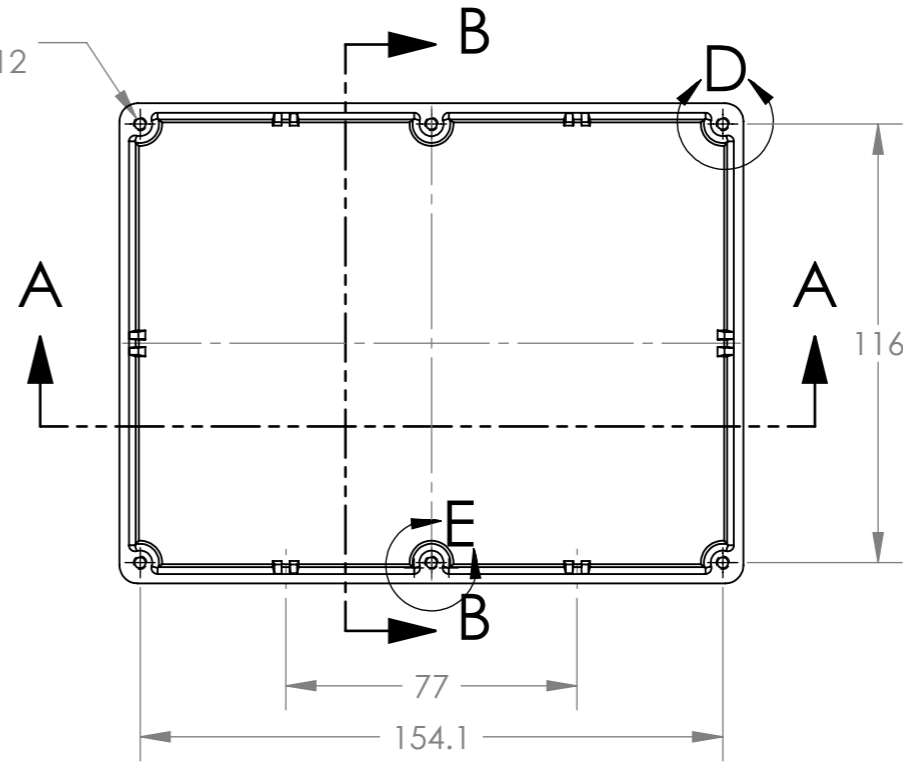


6x $\phi 2.9 \nabla 13$
M3.5x0.6 - 6H $\nabla 12$



	GENERAL PURPOSE		
SIZE	PLAIN	POWDER COATED	NYLON COATED
L	459-0110	461-0110	462-0110
SEALED			
L	460-0110	453-0110	454-0110

Tel No. +44(0)1724273200 Website www.dem-uk.com



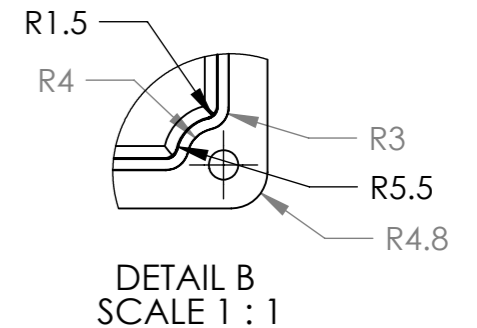
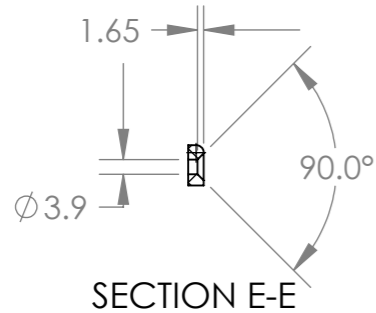
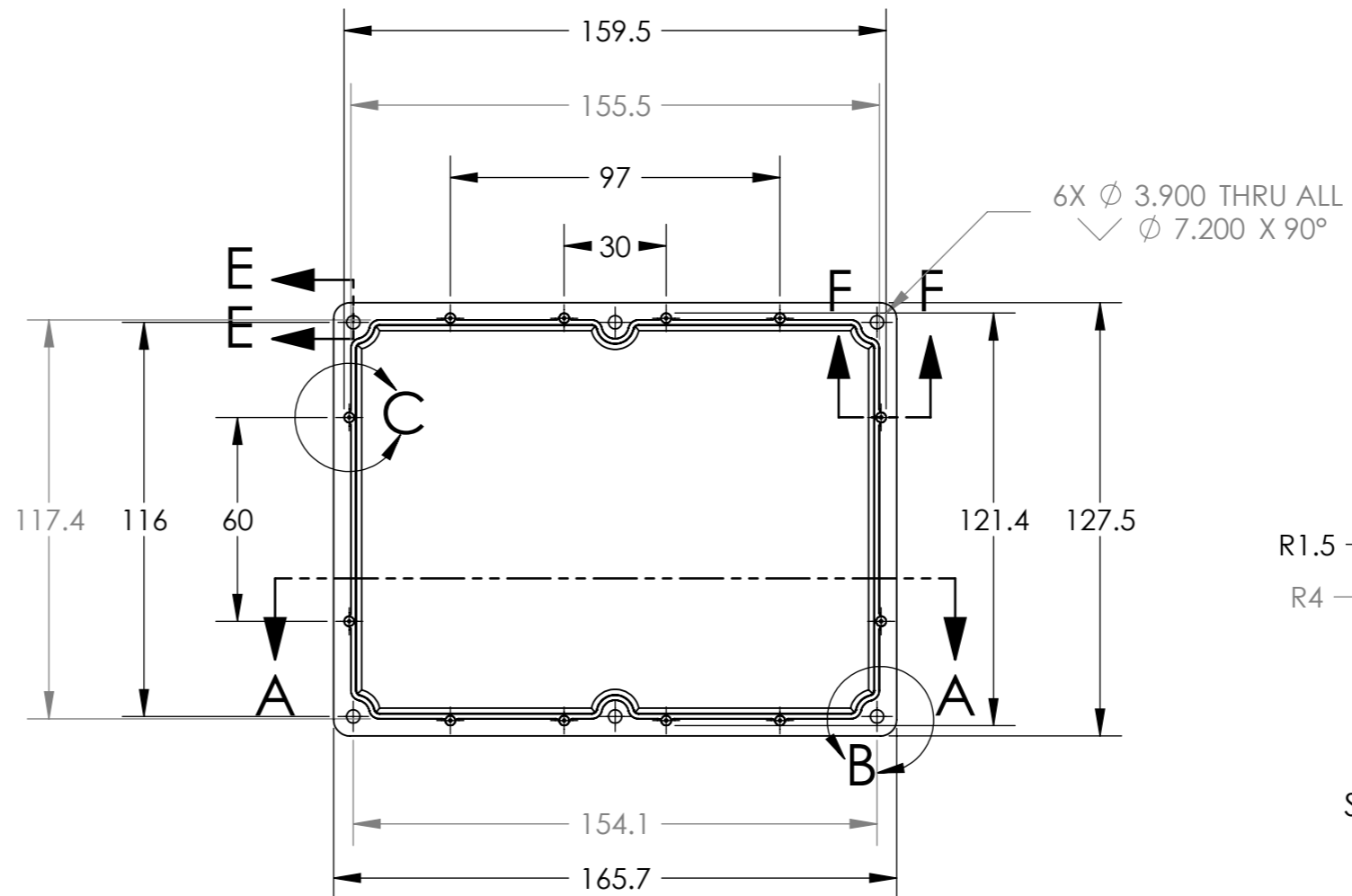
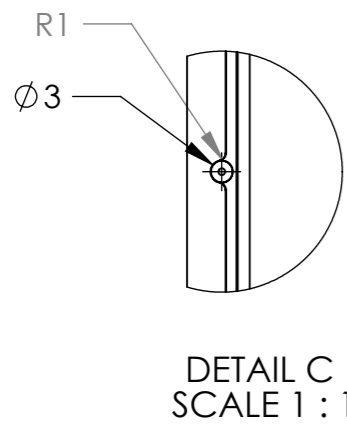
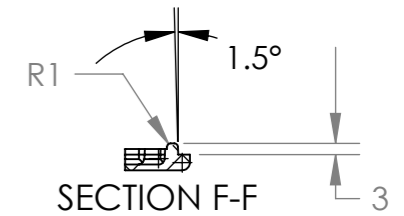
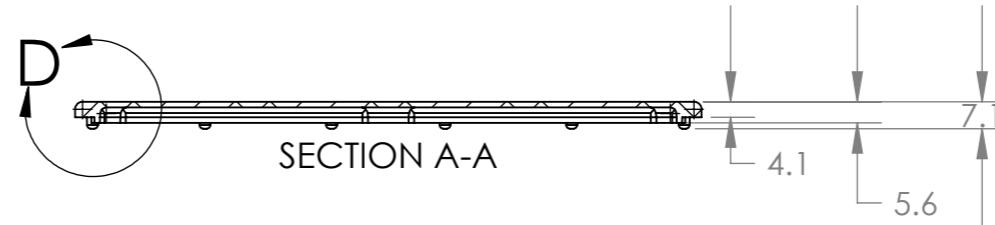
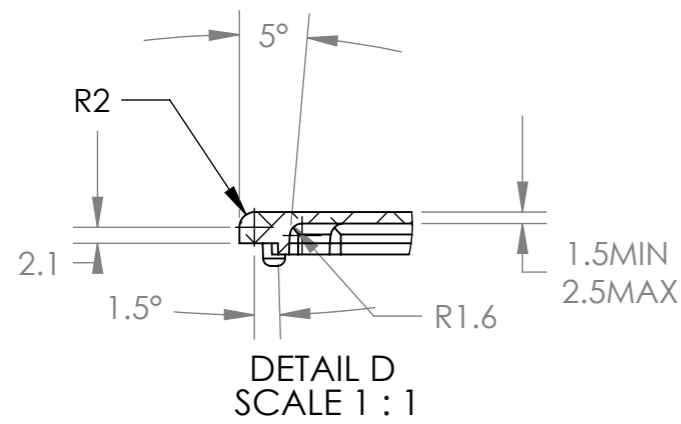
PROPRIETARY AND CONFIDENTIAL
THE INFORMATION CONTAINED IN THIS DRAWING IS THE SOLE PROPERTY OF ALPHA 3 MANUFACTURING.
ANY REPRODUCTION IN PART OR AS A WHOLE WITHOUT THE WRITTEN PERMISSION OF ALPHA 3 MANUFACTURING IS PROHIBITED.

DEM Manufacturing, Deltron Emcon House
Hargreaves Way, Sawcliffe Ind. Park,
Scunthorpe, North Lincolnshire, DN15 8RF, UK

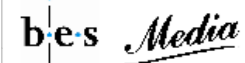
UNLESS OTHERWISE SPECIFIED:
DIMENSIONS ARE IN MILLIMETRES
LINEAR TOLERANCE:
NO DECIMAL PLACES $\pm 0.5\text{mm}$
1 DECIMAL PLACE $\pm 0.25\text{mm}$
2 DECIMAL PLACES $\pm 0.125\text{mm}$
ANGULAR TOLERANCE: $\pm 1^\circ$

FINISH	DEBURR AND BREAK SHARP EDGES	DRAWN BY	B.SILLENCE	TITLE	PROCUREMENT SPECIFICATION FOR 'L' SIZE DIECAST BOX
		APPROVED BY	B.SILLENCE	DRAWING NO.	
		THIRD ANGLE PROJECTION	SHEET 1 OF 1	ISSUE	
MATERIAL	DieCast Aluminium Alloy	IF IN DOUBT ASK DO NOT SCALE DRAWING	SCALE 1:2	A3	01
					Release

REV.	CNN	CNN DESCRIPTION	Date	Check in
04	.	CHANGE RAD TO 4.8mm	01/02/2010	Shaun Barron
04	.	CHANGE RAD TO 4.8mm	17/03/2010	Shaun Barron



Tel No.+44(0)1724273200 Website www.dem-uk.com



PROPRIETARY AND CONFIDENTIAL
THE INFORMATION CONTAINED IN THIS DRAWING IS THE SOLE PROPERTY OF ALPHA 3 MANUFACTURING.
ANY REPRODUCTION IN PART OR AS A WHOLE WITHOUT THE WRITTEN PERMISSION OF ALPHA 3 MANUFACTURING IS PROHIBITED.



DEM Manufacturing, Deltron Emcon House
Hargreaves Way, Sawcliffe Ind. Park,
Scunthorpe, North Lincolnshire, DN15 8RF, UK

UNLESS OTHERWISE SPECIFIED:
DIMENSIONS ARE IN MILLIMETRES
LINEAR TOLERANCE:
NO DECIMAL PLACES ±0.5mm
1 DECIMAL PLACE ±0.25mm
2 DECIMAL PLACES ±0.125mm
ANGULAR TOLERANCE: ±1°

FINISH	.	DEBURR AND BREAK SHARP EDGES
MATERIAL	DieCast Aluminium Alloy	

DRAWN BY	B.SILLENC
APPROVED BY	B.SILLENC
THIRD ANGLE PROJECTION	

SHEET 1 OF 1
SCALE 1:2
A3

TITLE	PROCUREMENT SPECIFICATION FOR 'L' SIZE BOX LID	
DRAWING NO.	L LID	ISSUE 04
		Release