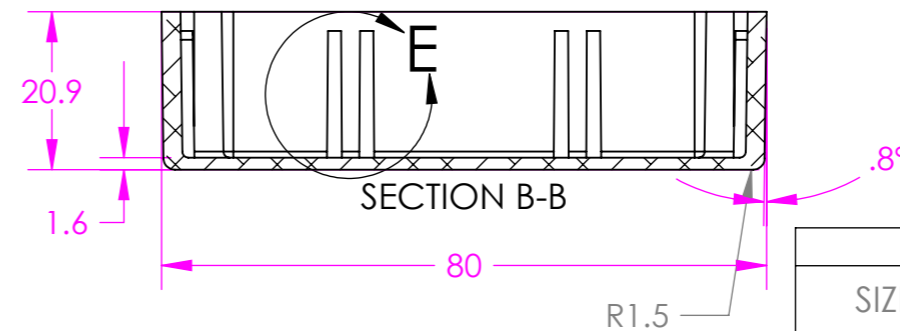
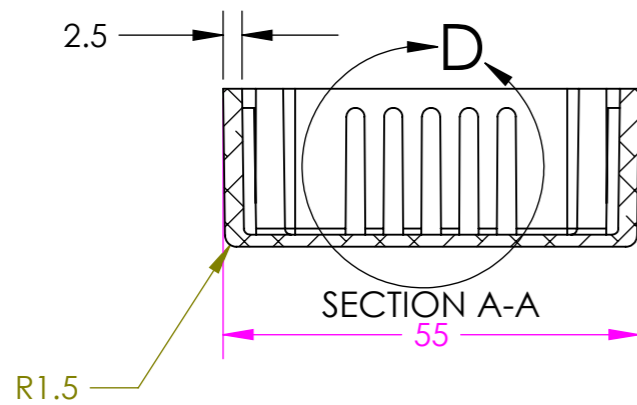
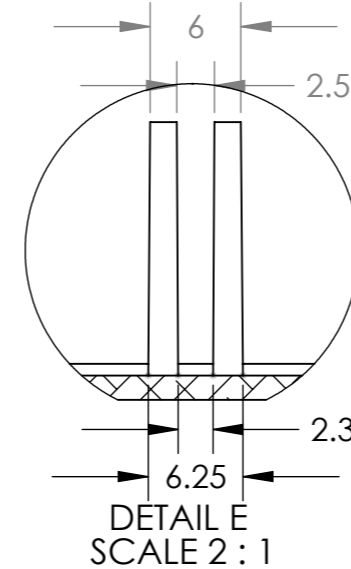
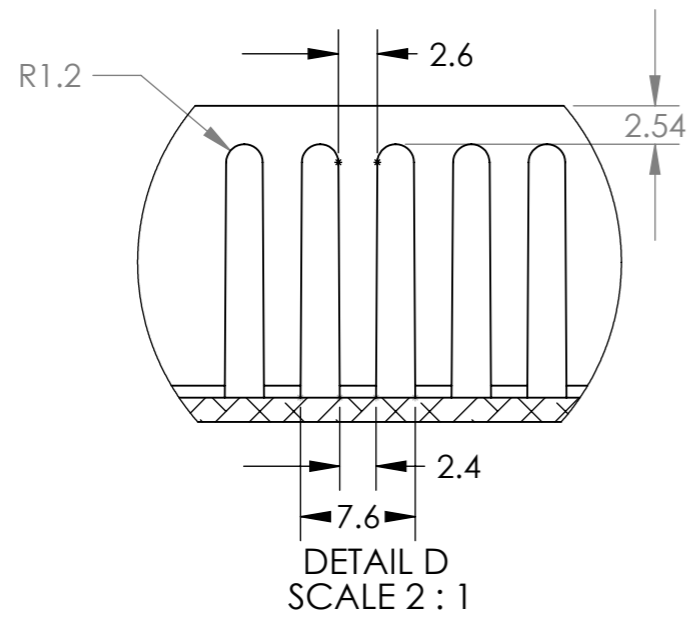
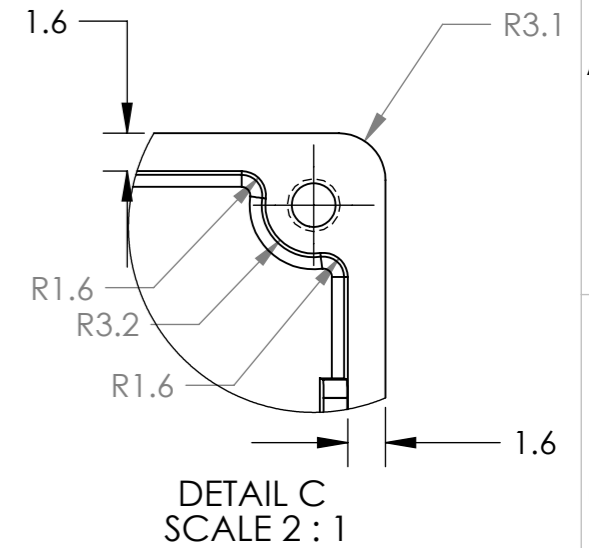
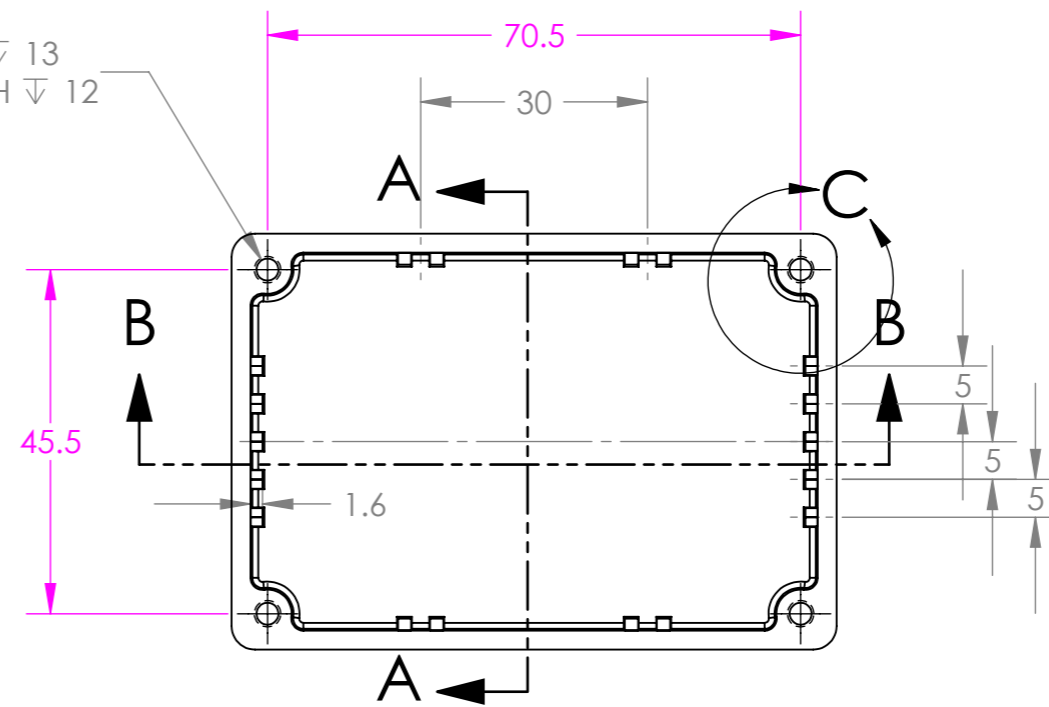


4X Ø 2.9  $\nabla$  13  
M3.5X0.6 - 6H  $\nabla$  12



SIZE	GENERAL PURPOSE		
	PLAIN	POWDER COATED	NYLON COATED
P	459-0140	461-0140	462-0140
<b>SEALED</b>			
P	460-0140	453-0140	454-0140

Tel No.+44(0)1724273200 Website www.dem-uk.com

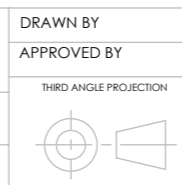


**PROPRIETARY AND CONFIDENTIAL**  
THE INFORMATION CONTAINED IN THIS DRAWING IS THE SOLE PROPERTY OF ALPHA 3 MANUFACTURING.  
ANY REPRODUCTION IN PART OR AS A WHOLE WITHOUT THE WRITTEN PERMISSION OF ALPHA 3 MANUFACTURING IS PROHIBITED.

DEM Manufacturing, Deltron Emcon House  
Hargreaves Way, Sawcliffe Ind. Park,  
Scunthorpe, North Lincolnshire, DN15 8RF, UK

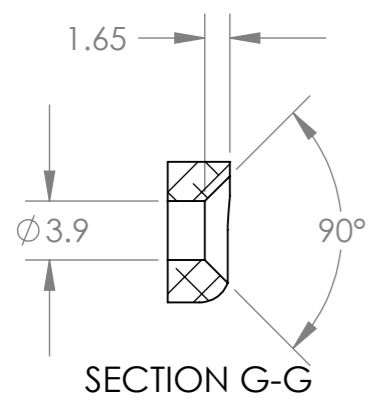
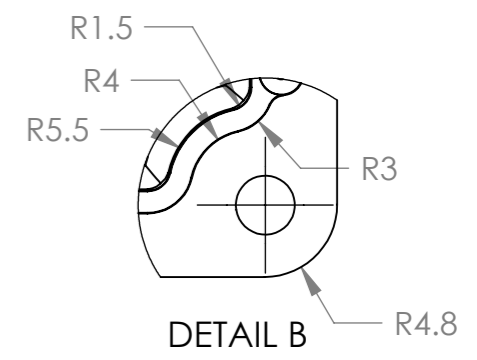
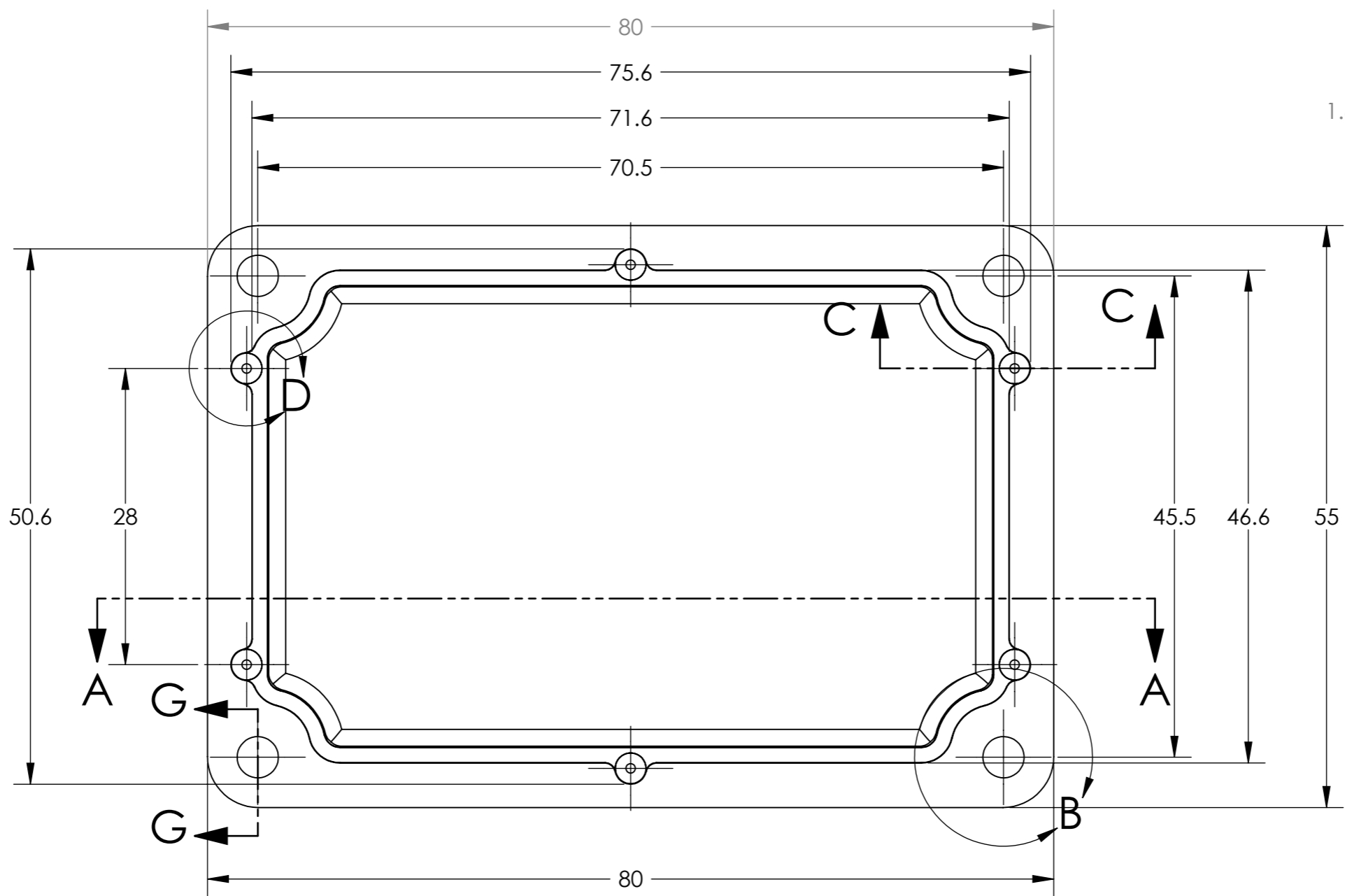
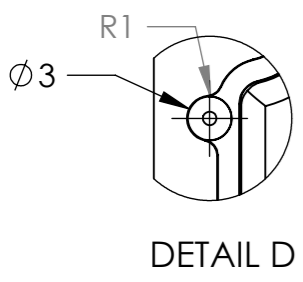
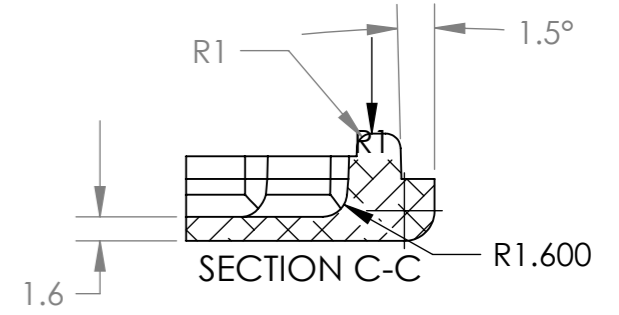
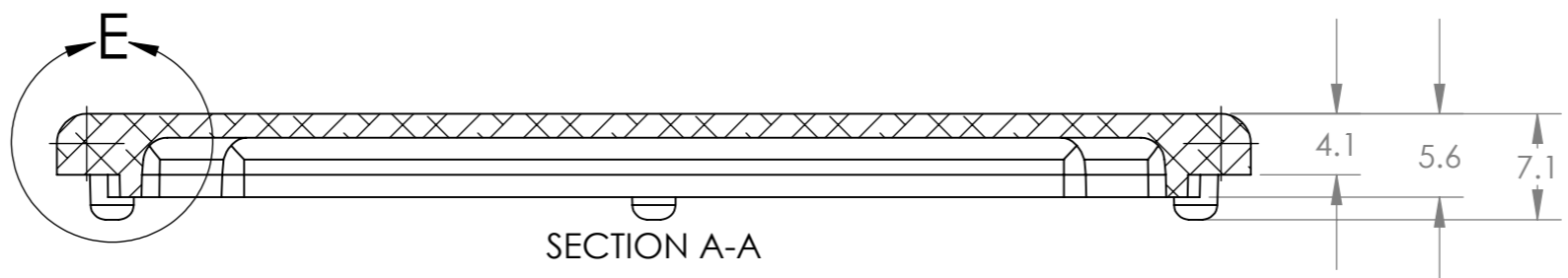
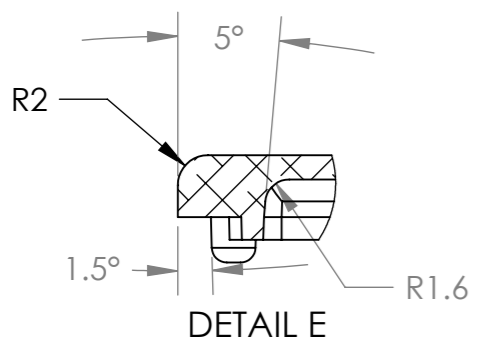
UNLESS OTHERWISE SPECIFIED:  
DIMENSIONS ARE IN MILLIMETRES  
LINEAR TOLERANCE:  
**NO DECIMAL PLACES  $\pm 0.5\text{mm}$**   
**1 DECIMAL PLACE  $\pm 0.25\text{mm}$**   
**2 DECIMAL PLACES  $\pm 0.125\text{mm}$**   
ANGULAR TOLERANCE:  $\pm 1^\circ$

FINISH .  
DEBURR AND BREAK SHARP EDGES  
DRAWN BY B.SILLENCE  
APPROVED BY B.SILLENCE  
THIRD ANGLE PROJECTION  
IF IN DOUBT ASK DO NOT SCALE DRAWING  
MATERIAL DieCast Aluminium Alloy



SHEET 1 OF 1  
SCALE 1:1  
A3

TITLE **PROCUREMENT SPECIFICATION FOR 'P' SIZE DIECAST BOX**  
DRAWING NO. P BOX  
ISSUE 01  
Release



Tel No.+44(0)1724273200 Website www.dem-uk.com



**PROPRIETARY AND CONFIDENTIAL**  
THE INFORMATION CONTAINED IN THIS DRAWING IS THE SOLE PROPERTY OF ALPHA 3 MANUFACTURING.  
ANY REPRODUCTION IN PART OR AS A WHOLE WITHOUT THE WRITTEN PERMISSION OF ALPHA 3 MANUFACTURING IS PROHIBITED.

**DEM** Manufacturing, Deltron Emcon House  
Hargreaves Way, Sawcliffe Ind. Park,  
Scunthorpe, North Lincolnshire, DN15 8RF, UK

UNLESS OTHERWISE SPECIFIED:  
DIMENSIONS ARE IN MILLIMETRES  
LINEAR TOLERANCE:  
**NO DECIMAL PLACES ±0.5mm**  
**1 DECIMAL PLACE ±0.25mm**  
**2 DECIMAL PLACES ±0.125mm**  
ANGULAR TOLERANCE: ±1°

FINISH	·	DEBURR AND BREAK SHARP EDGES	DRAWN BY	B.SILLENC	TITLE	PROCUREMENT SPECIFICATION FOR 'P' SIZE BOX LID	
	·		APPROVED BY	B.SILLENC	DRAWING NO.	P LID	ISSUE 04
			THIRD ANGLE PROJECTION	SHEET 1 OF 1			Release
			IF IN DOUBT ASK DO NOT SCALE DRAWING	SCALE 2:1			
MATERIAL	DieCast Aluminium Alloy			A3			