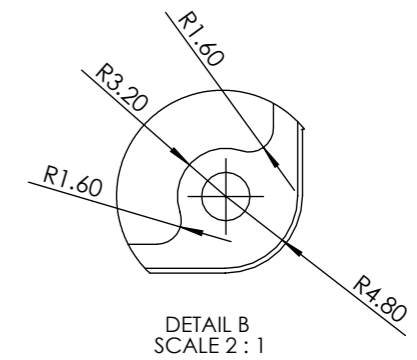
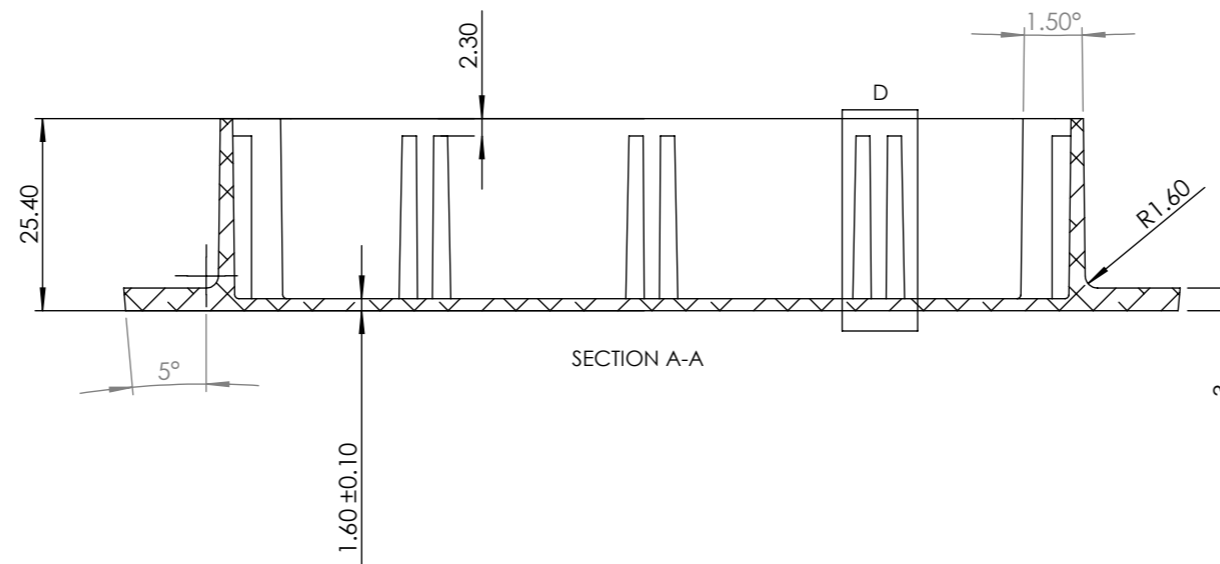


DETAIL D  
SCALE 2 : 1



SIZE	PLAIN	FLANGED	
		POWDER COATED	NYLON COATED
B	455-0020	457-0020	458-0020
B	SEALED		FLANGED
	456-0020	463-0020	464-0020

Tel No. +44(0)1724273200 Website www.dem-uk.com



**PROPRIETARY AND CONFIDENTIAL**  
THE INFORMATION CONTAINED IN THIS DRAWING IS THE SOLE PROPERTY OF ALPHA 3 MANUFACTURING.  
ANY REPRODUCTION IN PART OR AS A WHOLE WITHOUT THE WRITTEN PERMISSION OF ALPHA 3 MANUFACTURING IS PROHIBITED.

**DEM** DEM Manufacturing, Deltron Emcon House  
Hargreaves Way, Sawcliffe Ind. Park,  
Scunthorpe, North Lincolnshire, DN15 8RF, UK

UNLESS OTHERWISE SPECIFIED:  
DIMENSIONS ARE IN MILLIMETRES  
LINEAR TOLERANCE:  
**NO DECIMAL PLACES ±0.5mm**  
**1 DECIMAL PLACE ±0.25mm**  
**2 DECIMAL PLACES ±0.125mm**  
ANGULAR TOLERANCE: ±1°

FINISH .  
DEBURR AND BREAK SHARP EDGES  
DRAWN BY B.SILLENCE  
APPROVED BY B.SILLENCE  
THIRD ANGLE PROJECTION  
IF IN DOUBT ASK DO NOT SCALE DRAWING  
MATERIAL DieCast Aluminium Alloy

SHEET 1 OF 1  
SCALE 1:1  
A3

B.SILLENCE  
B.SILLENCE  
SHEET 1 OF 1  
SCALE 1:1  
A3

TITLE  
**PROCUREMENT SPECIFICATION FOR 'B' SIZE FLANGED BOX**  
DRAWING NO. B BOX FLANGED  
ISSUE 02  
Release