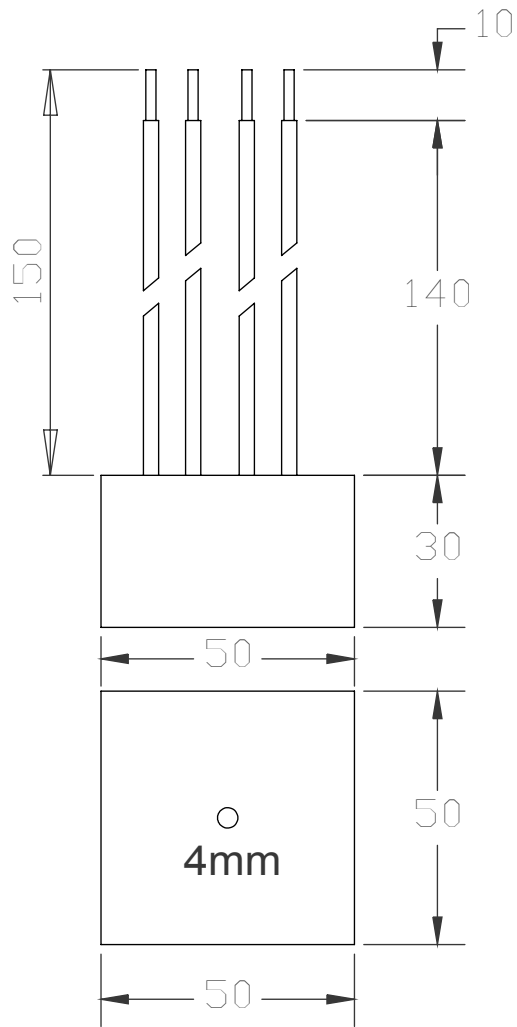
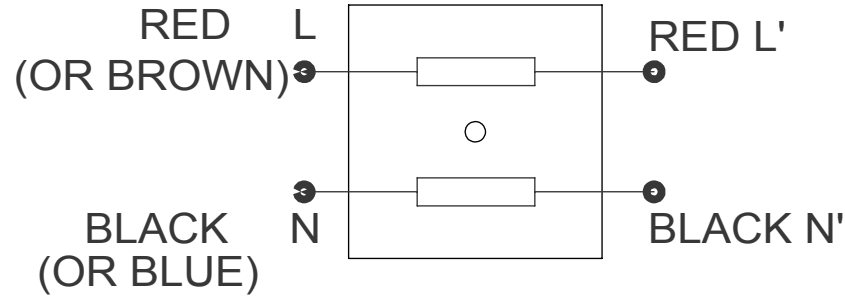


REV.	CNN	CNN DESCRIPTION	Date	Check in
02	-	BORDER CHANGE	10/02/2010	Shaun Barron



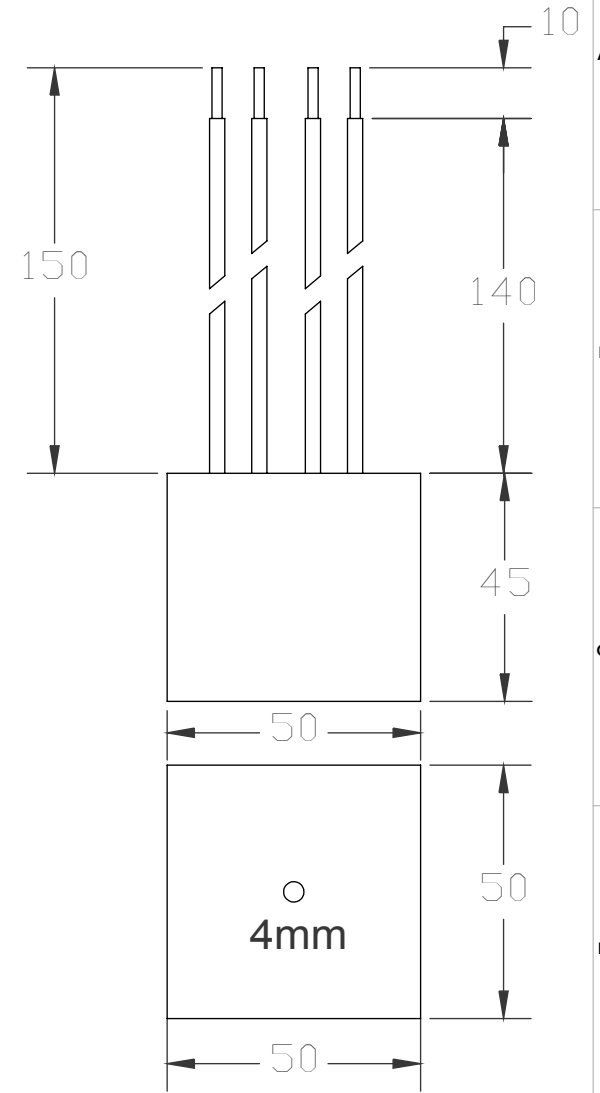
C210 & C215

ELECTRICAL DIAGRAM
(TOP VIEW)



C210 2mH 10A
C215 1mH 15A
C225 1mH 25A

RoHS
2002/95/EC
Compliant



C225

Tel No. +44(0)1724 273200 Website www.dem-uk.com

PROPRIETARY AND CONFIDENTIAL
THE INFORMATION CONTAINED IN THIS DRAWING IS THE SOLE PROPERTY OF
ALPHA 3 MANUFACTURING.
ANY REPRODUCTION IN PART OR AS A WHOLE WITHOUT THE WRITTEN PERMISSION OF
ALPHA 3 MANUFACTURING IS PROHIBITED.

UNLESS OTHERWISE SPECIFIED:
DIMENSIONS ARE IN MILLIMETRES
LINEAR TOLERANCE:
NO DECIMAL PLACES ±0.5mm
1 DECIMAL PLACE ±0.25mm
2 DECIMAL PLACES ±0.125mm
ANGULAR TOLERANCE: ±1°

FINISH -
DEBURR AND BREAK SHARP EDGES
DRAWN BY SPB
APPROVED BY SW
THIRD ANGLE PROJECTION
IF IN DOUBT ASK
DO NOT SCALE DRAWING
MATERIAL -

SHEET 1 OF 1
SCALE 1:1
A4

TITLE GENERAL SPECIFICATION
FOR C2XX

DRAWING NO. C2XX
ISSUE 02
Release



DEM Manufacturing, Deltron Emcon House
Hargreaves Way, Sawcliffe Ind. Park,
Scunthorpe, North Lincolnshire, DN15 8RF, UK