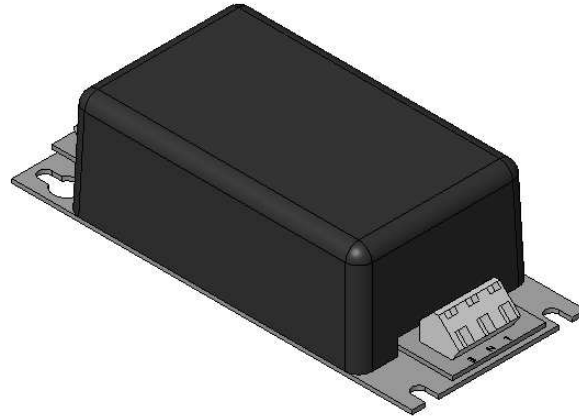
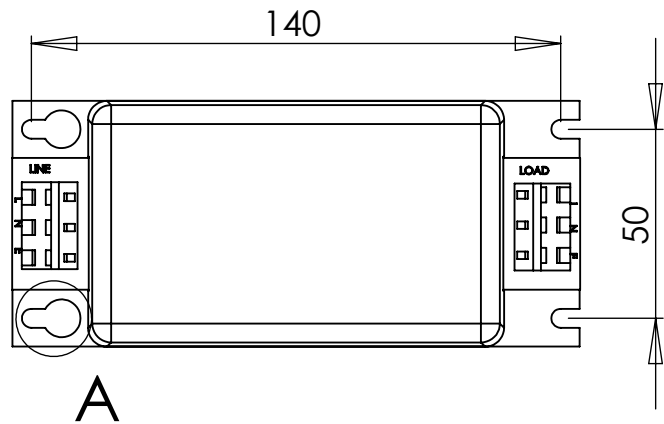
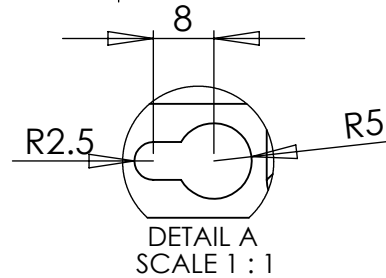


REV.	CNN	CNN DESCRIPTION	Date	Check in
04	-	NEW BORDER	02/02/2010	Shaun Barron

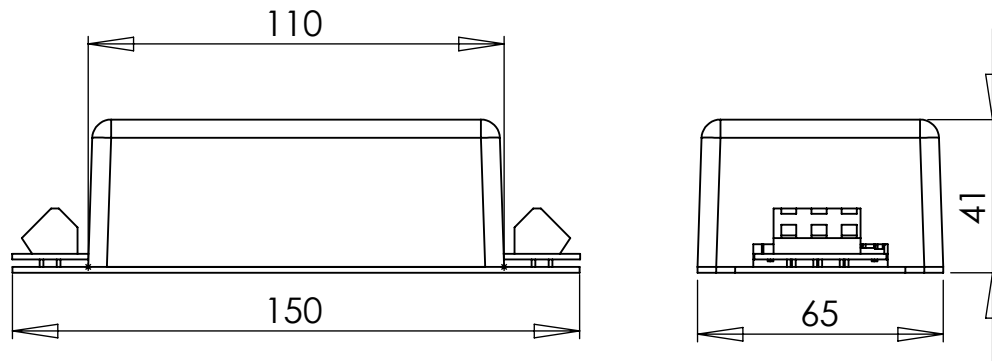


RoHS
2002/95/EC
Compliant



SPECIFICATIONS

RATED VOLTAGE 250Vac
 FREQUENCY 50/60Hz
 CURRENT 6A @ 40°C
 TEMPERATURE -25 TO 85°C
 LEAKAGE CURRENT 3mA @ 250V 50Hz
 TEST VOLTAGE 2kV DC



MINIMUM INSERTION LOSS

FREQUENCY Hz	30k	100k	150k	300k	10m
COMMON MODE db	13	55	69	>80	>80
DIFFERENTIAL db		36	50	>60	>60

Tel No. +44(0)1724 273200 Website www.dem-uk.com

PROPRIETARY AND CONFIDENTIAL
 THE INFORMATION CONTAINED IN THIS DRAWING IS THE SOLE PROPERTY OF
ALPHA 3 MANUFACTURING.
 ANY REPRODUCTION IN PART OR AS A WHOLE WITHOUT THE WRITTEN PERMISSION OF
ALPHA 3 MANUFACTURING IS PROHIBITED.

UNLESS OTHERWISE SPECIFIED:
 DIMENSIONS ARE IN MILLIMETRES
 LINEAR TOLERANCE:
NO DECIMAL PLACES ±0.5mm
1 DECIMAL PLACE ±0.25mm
2 DECIMAL PLACES ±0.125mm
 ANGULAR TOLERANCE: ±1°

FINISH -
 DEBURR AND BREAK SHARP EDGES -
 IF IN DOUBT ASK
 DO NOT SCALE DRAWING
 MATERIAL -

DRAWN BY SPB
 APPROVED BY SW
 THIRD ANGLE PROJECTION

SHEET 1 OF 1
 SCALE 1:2
 A4

TITLE **GENERAL SPECIFICATION**
250V 6A 50/60Hz
MDF06 FILTER
 DRAWING NO. **MDF06**
 ISSUE **04**
 Release



DEM Manufacturing, Deltron Emcon House
 Hargreaves Way, Sawcliffe Ind. Park,
 Scunthorpe, North Lincolnshire, DN15 8RF, UK