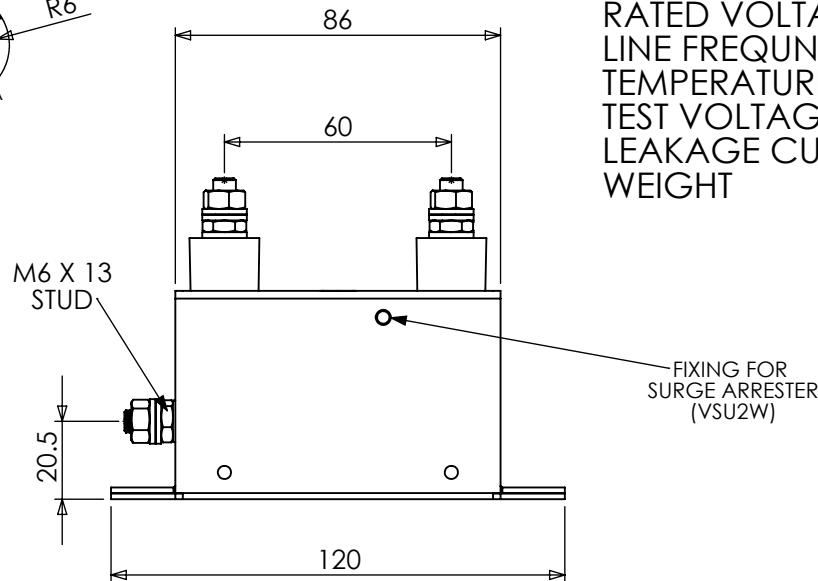
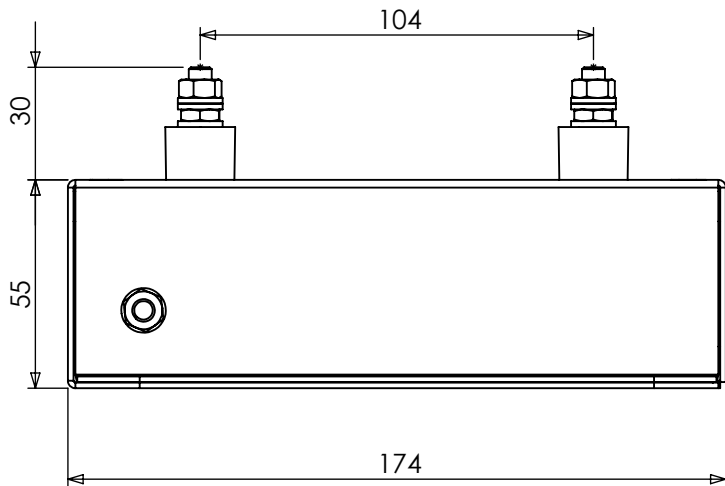
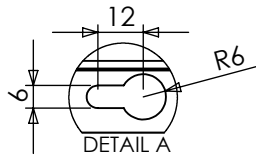


TYPE	CURRENT I(RMS) @40 °C	INDUCTANCE (L)	RESISTANCE (R) PER WINDING	STUD SIZE	INSERTION LOSS @ 150 kHz COMMON MODE	INSERTION LOSS @ 150 kHz DIFFERENTIAL MODE
MDF18	18A	6.40mH	15.0mR	M6	99dB	42dB
MDF25	25A	4.40mH	8.5mR	M6	96dB	39dB
MDF36	36A	2.50mH	3.8mR	M6	91dB	34dB
MDF50	50A	1.10mH	2.0mR	M6	84dB	27dB



ELECTRICAL SPECIFICATION

RATED VOLTAGE 240V
 LINE FREQUENCY 50/60Hz
 TEMPERATURE RANGE -25 TO 85 °C
 TEST VOLTAGE 2.0KV DC
 LEAKAGE CURRENT 200mA @ 250V 50 Hz
 WEIGHT 1.75KG

RoHS
 2002/95/EC
 Compliant

Tel No. +44(0)1724 273200 Website www.dem-uk.com

PROPRIETARY AND CONFIDENTIAL
 THE INFORMATION CONTAINED IN THIS DRAWING IS THE SOLE PROPERTY OF
 ALPHA 3 MANUFACTURING.
 ANY REPRODUCTION IN PART OR AS A WHOLE WITHOUT THE WRITTEN PERMISSION OF
 ALPHA 3 MANUFACTURING IS PROHIBITED.

UNLESS OTHERWISE SPECIFIED:
 DIMENSIONS ARE IN MILLIMETRES
 LINEAR TOLERANCE:
 NO DECIMAL PLACES ±0.5mm
 1 DECIMAL PLACE ±0.25mm
 2 DECIMAL PLACES ±0.125mm
 ANGULAR TOLERANCE: ±1°

FINISH -
 DEBURR AND BREAK SHARP EDGES -
 IF IN DOUBT ASK
 DO NOT SCALE DRAWING

DRAWN BY SPB
 APPROVED BY SW
 THIRD ANGLE PROJECTION

SHEET 1 OF 1
 SCALE 1:2
 A4

TITLE GENERAL SPECIFICATION
 2 WIRE
 MDFXX RANGE
 DRAWING NO. MDFXX
 ISSUE 03
 Release



DEM Manufacturing, Deltron Emcon House
 Hargreaves Way, Sawcliffe Ind. Park,
 Scunthorpe, North Lincolnshire, DN15 8RF, UK