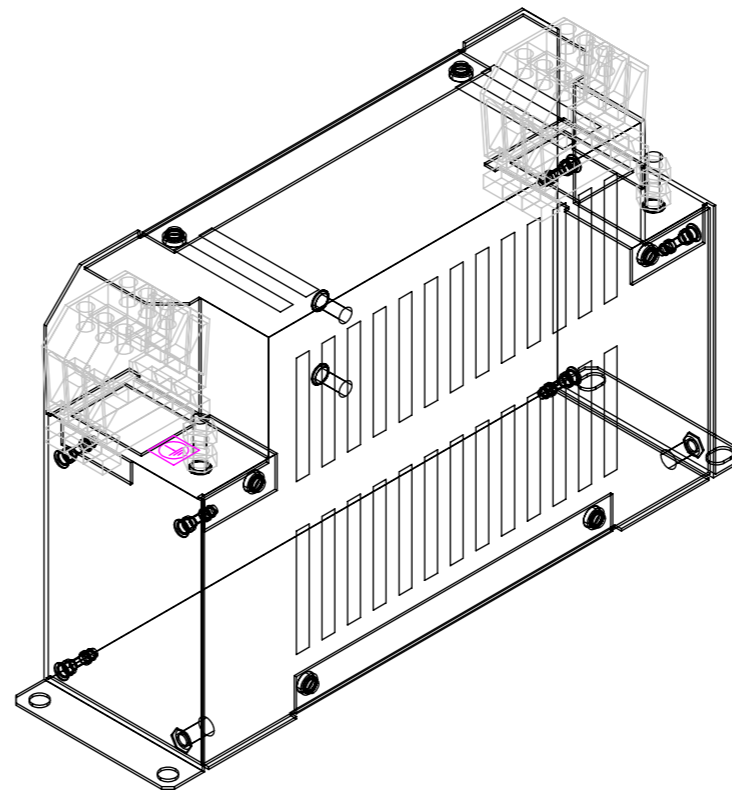
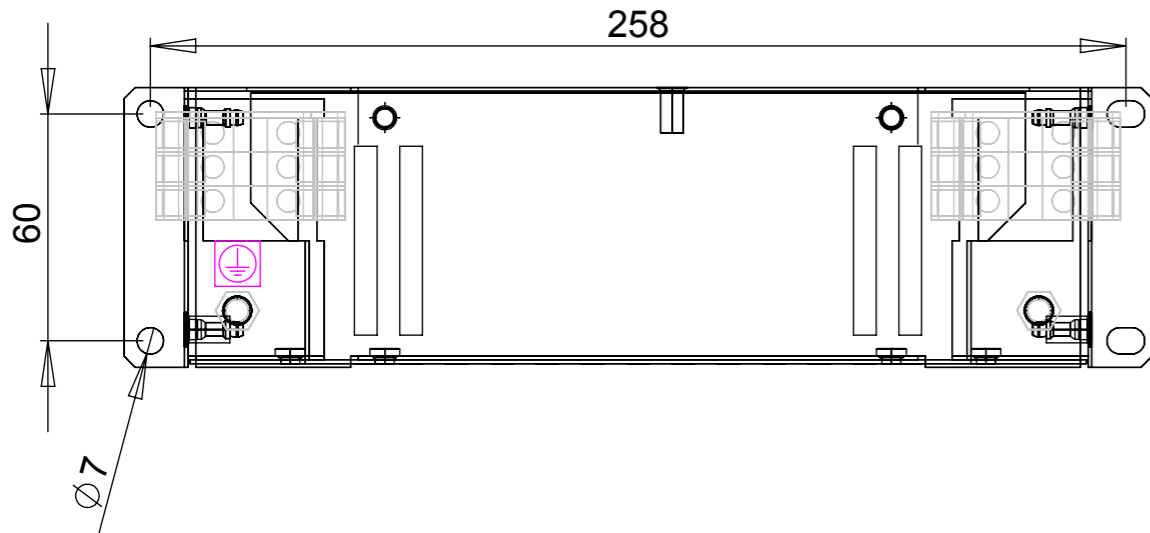
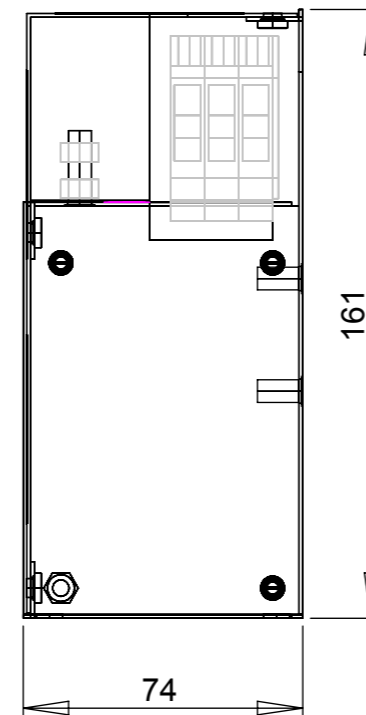
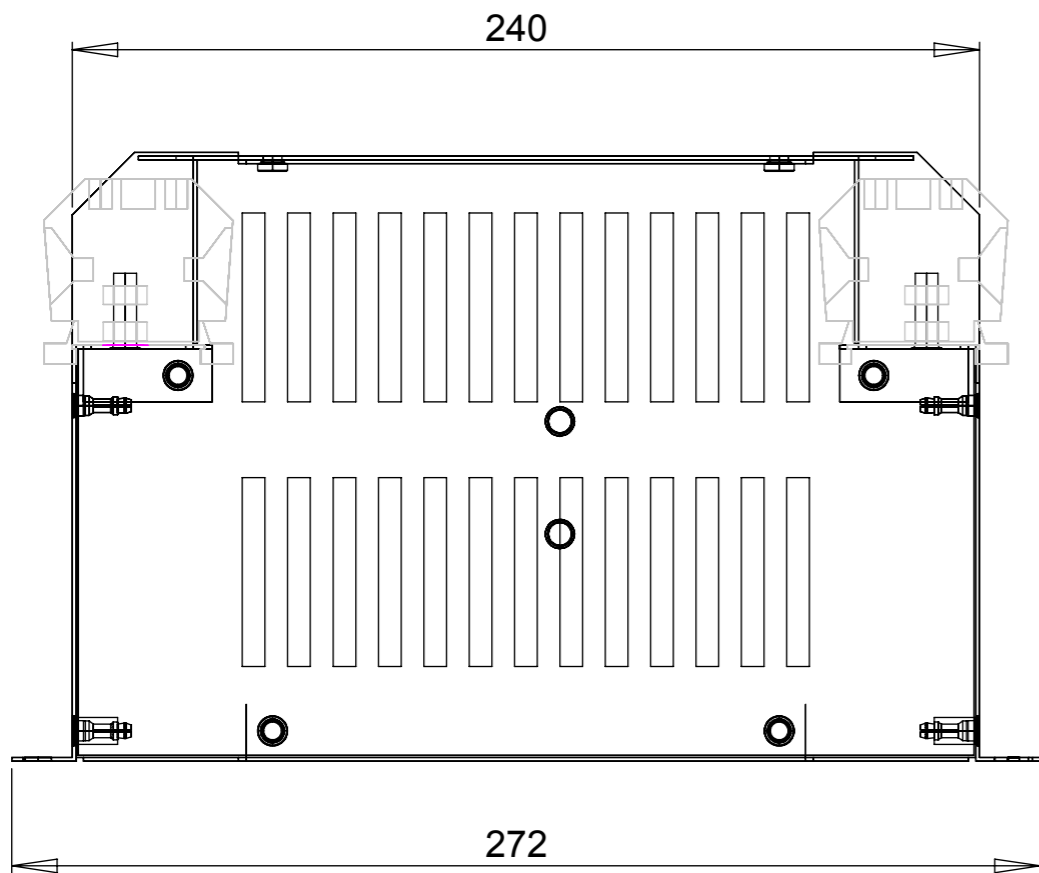


REV.	CNN	CNN DESCRIPTION	Date	Check in
03	-	ROHS MISSING	19/01/2010	Shaun Barron
03	-	ROHS MISSING	19/01/2010	Shaun Barron



### SPECIFICATIONS

VOLTAGE 500Vac  
 FREQUENCY 50/60Hz  
 CURRENT 36A @ 40°C  
 TEMPERATURE -25 TO 100°C  
 LEAKAGE CURRENT 42mA @ 500V 50Hz  
 HUMIDITY 90% RH (NON-CONDENSING)  
 VIBRATION 10-200Hz 1.8G  
 ELECTRIC STRENGTH 2250Vac/1min.  
 POWER DISSIPATION 16W  
 MASS 2.7kg  
 TERMINALS 10sqmm TERMINAL BLOCK  
 EARTH TERMINALS M6 STUD  
 FLANGE MOUNTING 4x M6




**RoHS**  
**2002/95/EC**  
  
**Compliant**

Tel No.+44(0)1724273200 Website www.dem-uk.com




**PROPRIETARY AND CONFIDENTIAL**  
 THE INFORMATION CONTAINED IN THIS DRAWING IS THE SOLE PROPERTY OF  
**ALPHA 3 MANUFACTURING.**  
 ANY REPRODUCTION IN PART OR AS A WHOLE WITHOUT THE WRITTEN  
 PERMISSION OF  
**ALPHA 3 MANUFACTURING** IS PROHIBITED.

**DEM**  DEM Manufacturing, Deltron Emcon House  
 Hargreaves Way, Sawcliffe Ind. Park,  
 Scunthorpe, North Lincolnshire, DN15 8RF, UK

UNLESS OTHERWISE SPECIFIED:  
 DIMENSIONS ARE IN MILLIMETRES  
 LINEAR TOLERANCE:  
**NO DECIMAL PLACES ±0.5mm**  
**1 DECIMAL PLACE ±0.25mm**  
**2 DECIMAL PLACES ±0.125mm**  
 ANGULAR TOLERANCE: ±1°

FINISH	-	DEBURR AND BREAK SHARP EDGES
MATERIAL	-	
IF IN DOUBT ASK DO NOT SCALE DRAWING		

DRAWN BY	AT
APPROVED BY	AT
THIRD ANGLE PROJECTION	
	

SHEET 1 OF 1
SCALE 1:2
A3

TITLE	GENERAL SPECIFICATION 3 PHASE 36A 500V INDUSTRIAL FILTER	
DRAWING NO.	KMF336	ISSUE 03
		Release