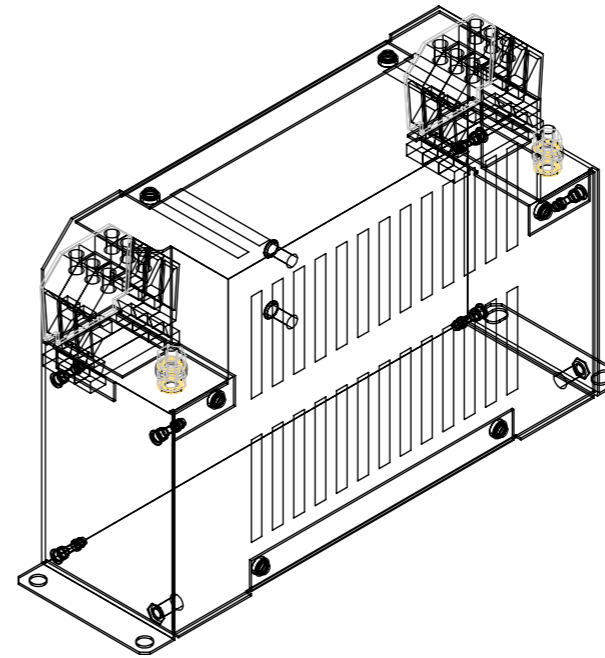
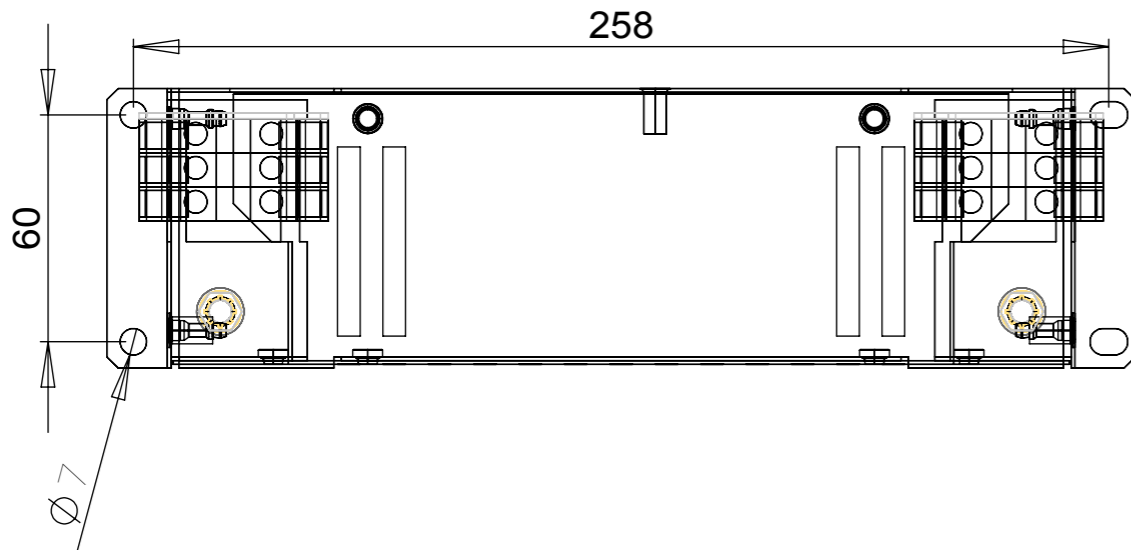
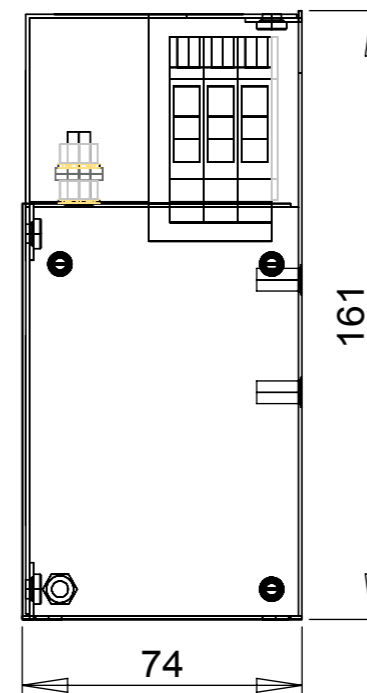
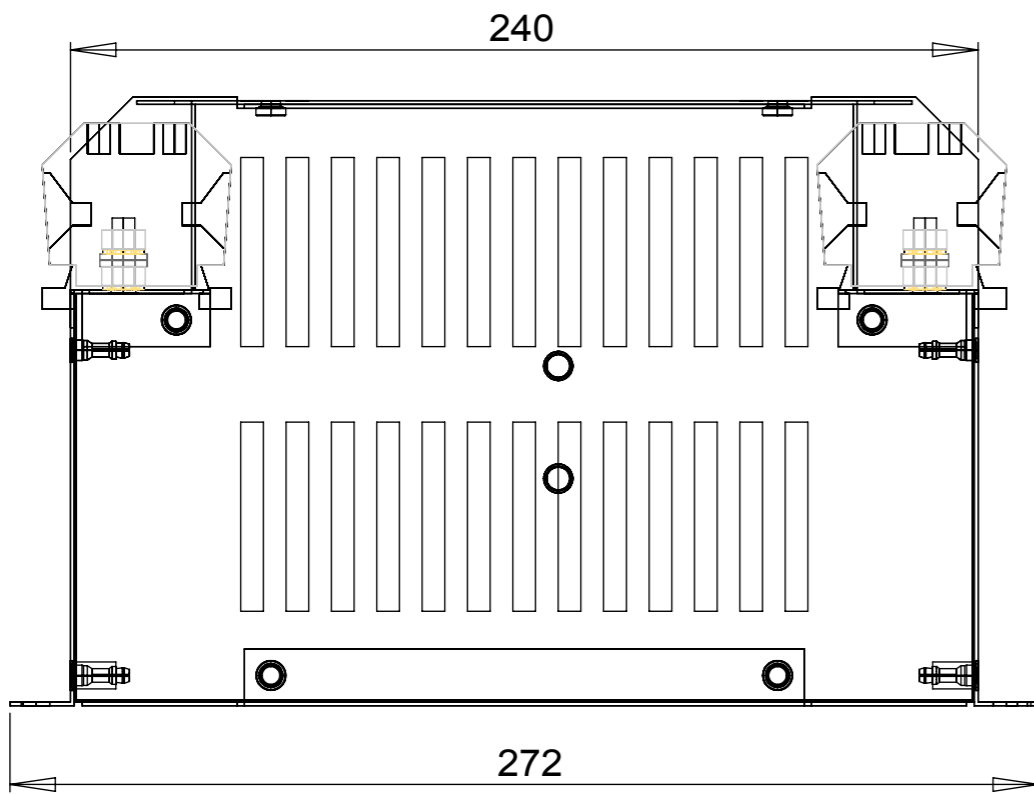


REV.	CNN	CNN DESCRIPTION	Date	Check in
02	-	CHANGE BORDER	20/01/2010	Shaun Barron
02	-	CHANGE BORDER	20/01/2010	Shaun Barron



SPECIFICATIONS

VOLTAGE 500Vac
 FREQUENCY 50/60Hz
 CURRENT 50A @ 40°C
 TEMPERATURE -25 TO 100°C
 LEAKAGE CURRENT 90mA @ 500V 50Hz
 HUMIDITY 90% RH (NON-CONDENSING)
 VIBRATION 10-200Hz 1.8G
 ELECTRIC STRENGTH 2250Vac/1min.
 POWER DISSIPATION 16W
 MASS 2.9kg
 TERMINALS 10sqmm TERMINAL BLOCK
 EARTH TERMINALS M6 STUD
 FLANGE MOUNTING 4x M6



**RoHS
2002/95/EC
Compliant**