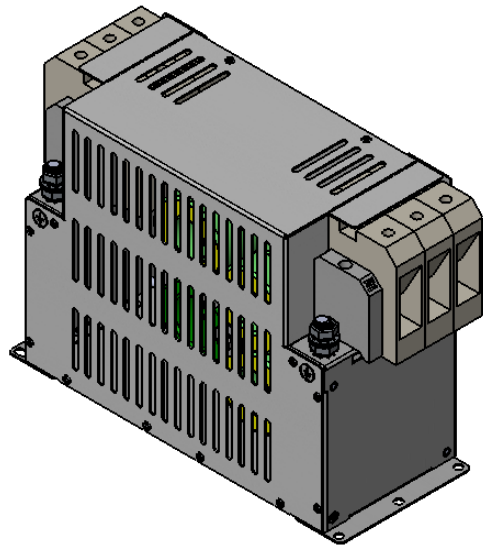
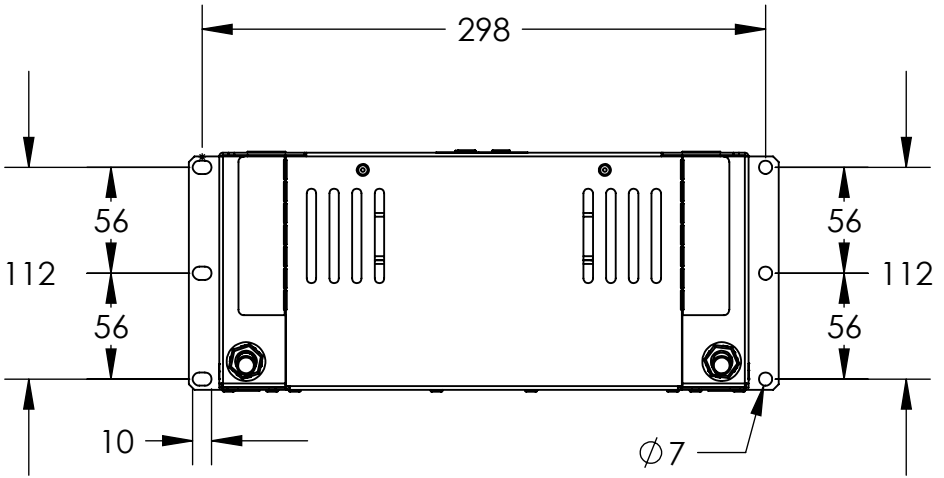
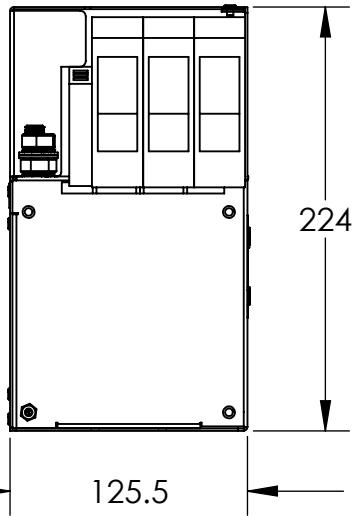
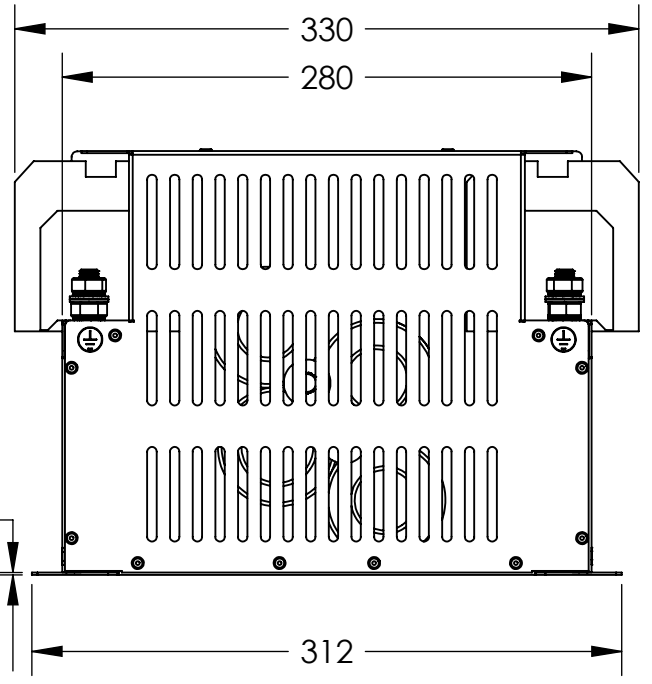


REV.	CNN	CNN DESCRIPTION	Date	Check in
05	-	TEXT UPDATE	09/11/2010	Shaun Barron
05	-	extra fixing hole added to base	10/11/2010	Shaun Barron



ELECTRICAL
 3PH AC Line Filter
 line voltage 500 Vac / UL 480Vac
 input current 180A / UL 165A @ 40°C
 operating frequency 50/60Hz
 voltage withstand 2772Vdc (1min)
 insulation resistance 679Vdc (>2MR)
 leakage fault 166mA
 leakage running <5mA
 residual voltage <60Vdc 1min
 short circuit 10kA
 watts loss 28W



MECHANICAL
 ingress protection IP20
 mass unpackaged 8.9kg
 material enclosure 1.2mm ALU
 mounting centres 298x112mm
 terminal connection 95mm²
 terminal earthing M10x25mm

ENVIRONMENT
 humidity 90% RH (non-condensing)
 pollution class II
 temperature -25-90°C
 vibration 10-200Hz 1.8G

STANDARDS
 EN60950 / EN50178 / UL1283

RoHS
 2002/95/EC
 Compliant

Tel No. +44(0)1724 273200 Website www.dem-uk.com

Alpha3 manufacturing
 ROXBURGH EMC
 DELTRON Components
 DELTRON Enclosures
 bes Media

PROPRIETARY AND CONFIDENTIAL
 THE INFORMATION CONTAINED IN THIS DRAWING IS THE SOLE PROPERTY OF ALPHA 3 MANUFACTURING.
 ANY REPRODUCTION IN PART OR AS A WHOLE WITHOUT THE WRITTEN PERMISSION OF ALPHA 3 MANUFACTURING IS PROHIBITED.
 DEM Manufacturing, Deltron Emcon House
 Hargreaves Way, Sawcliffe Ind. Park,
 Scunthorpe, North Lincolnshire, DN15 8RF, UK

UNLESS OTHERWISE SPECIFIED:
 DIMENSIONS ARE IN MILLIMETRES
 LINEAR TOLERANCE:
 NO DECIMAL PLACES ±0.5mm
 1 DECIMAL PLACE ±0.25mm
 2 DECIMAL PLACES ±0.125mm
 ANGULAR TOLERANCE: ±1°

FINISH
 DEBURR AND BREAK SHARP EDGES
 IF IN DOUBT ASK DO NOT SCALE DRAWING
 MATERIAL 1.2 ALU 3103 H14 OR 5251

DRAWN BY
 APPROVED BY
 THIRD ANGLE PROJECTION
 SHEET 1 OF 1
 SCALE 1:4
 A4

TITLE
 General Specification
 KMF3180
 Industrial Filter
 DRAWING NO.
 KMF3180-GS
 ISSUE
 05
 Release