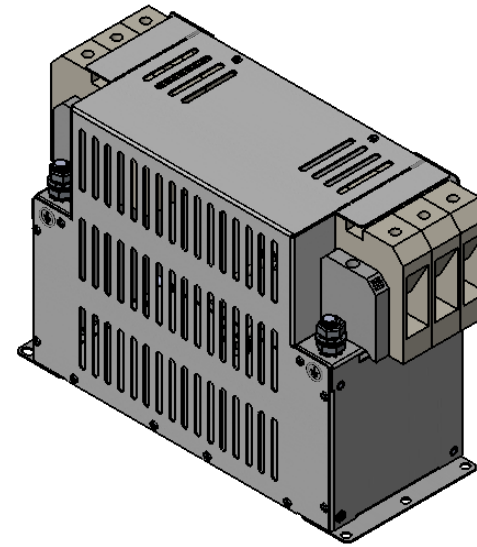
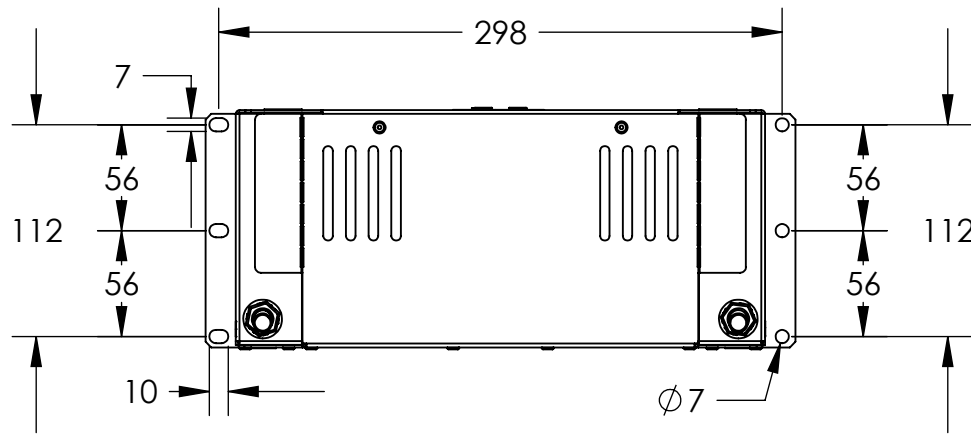


REV.	CNN	CNN DESCRIPTION	Date	Check in
03	-		26/05/2010	Shaun Barron
04	-	extra fixing hole added to base	09/11/2010	Shaun Barron



### SPECIFICATIONS

VOLTAGE 500Vac  
 FREQUENCY 50/60Hz  
 CURRENT 180A @ 40°C  
 TEMPERATURE -25 TO 100°C  
 LEAKAGE CURRENT 396mA @ 500V  
 50Hz  
 HUMIDITY 90% RH (NON-CONDENSING)  
 VIBRATION 10-200Hz 1.8G  
 ELECTRIC STRENGTH 2250Vac/1min.  
 POWER DISSIPATION 28W

### MECHANICAL

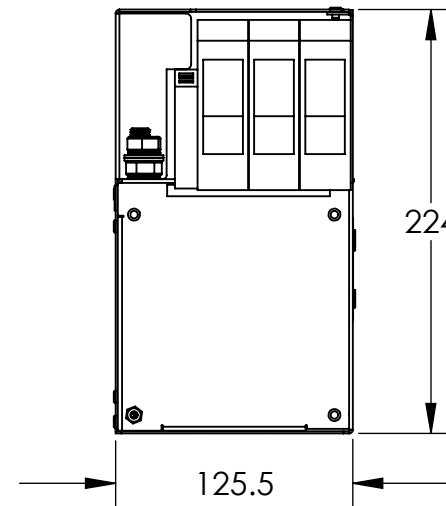
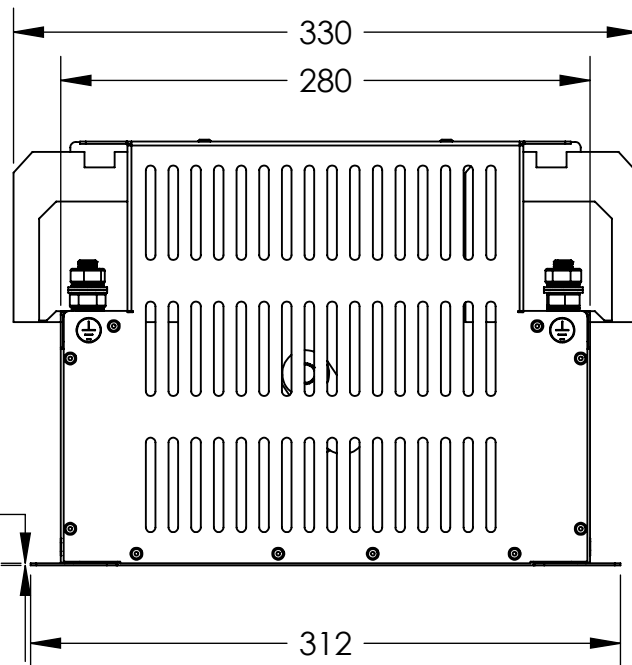
ingress protection IP20  
 mass unpackage 8.9kg  
 material enclosure 1.2mm ALU  
 mounting centres 298x112mm  
 terminal connection 95mm<sup>2</sup>  
 terminal earthing M10x25mm

### ENVIRONMENT

humidity 90% RH (non-condensing)  
 pollution class II  
 temperature -25-90°C  
 vibration 10-200Hz 1.8G

### STANDARDS

EN60950 / EN50178 / UL1283



RoHS  
 2002/95/EC  
 Compliant

Tel No. +44(0)1724 273200 Website www.dem-uk.com

PROPRIETARY AND CONFIDENTIAL  
 THE INFORMATION CONTAINED IN THIS DRAWING IS THE SOLE PROPERTY OF  
 ALPHA 3 MANUFACTURING.  
 ANY REPRODUCTION IN PART OR AS A WHOLE WITHOUT THE WRITTEN PERMISSION OF  
 ALPHA 3 MANUFACTURING IS PROHIBITED.

UNLESS OTHERWISE SPECIFIED:  
 DIMENSIONS ARE IN MILLIMETRES  
 LINEAR TOLERANCE:  
 NO DECIMAL PLACES ±0.5mm  
 1 DECIMAL PLACE ±0.25mm  
 2 DECIMAL PLACES ±0.125mm  
 ANGULAR TOLERANCE: ±1°

DEM Manufacturing, Deltron Emcon House  
 Hargreaves Way, Sawcliffe Ind. Park,  
 Scunthorpe, North Lincolnshire, DN15 8RF, UK



FINISH	DEBURR AND BREAK SHARP EDGES	DRAWN BY	SPB	TITLE
		APPROVED BY	Williams	General Specification
IF IN DOUBT ASK DO NOT SCALE DRAWING		THIRD ANGLE PROJECTION	SHEET 1 OF 1	KMF3180
			SCALE 1:4	Industrial Filter
MATERIAL	-		A4	DRAWING NO. KMF3180A
				ISSUE <b>04</b>
				Release