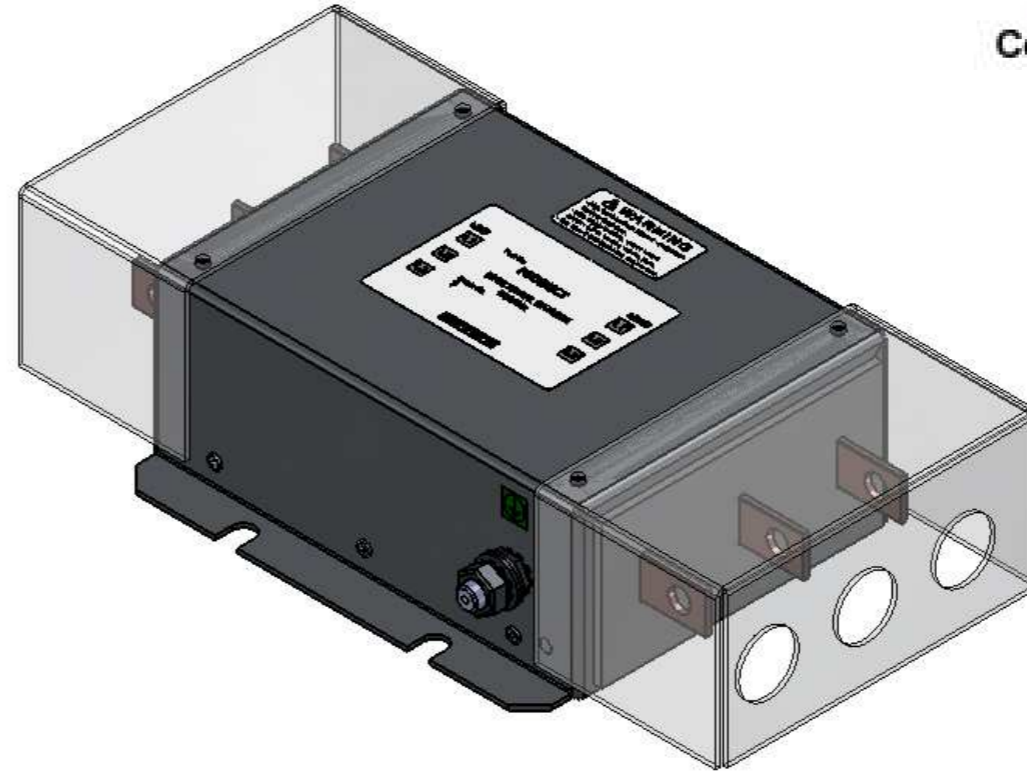
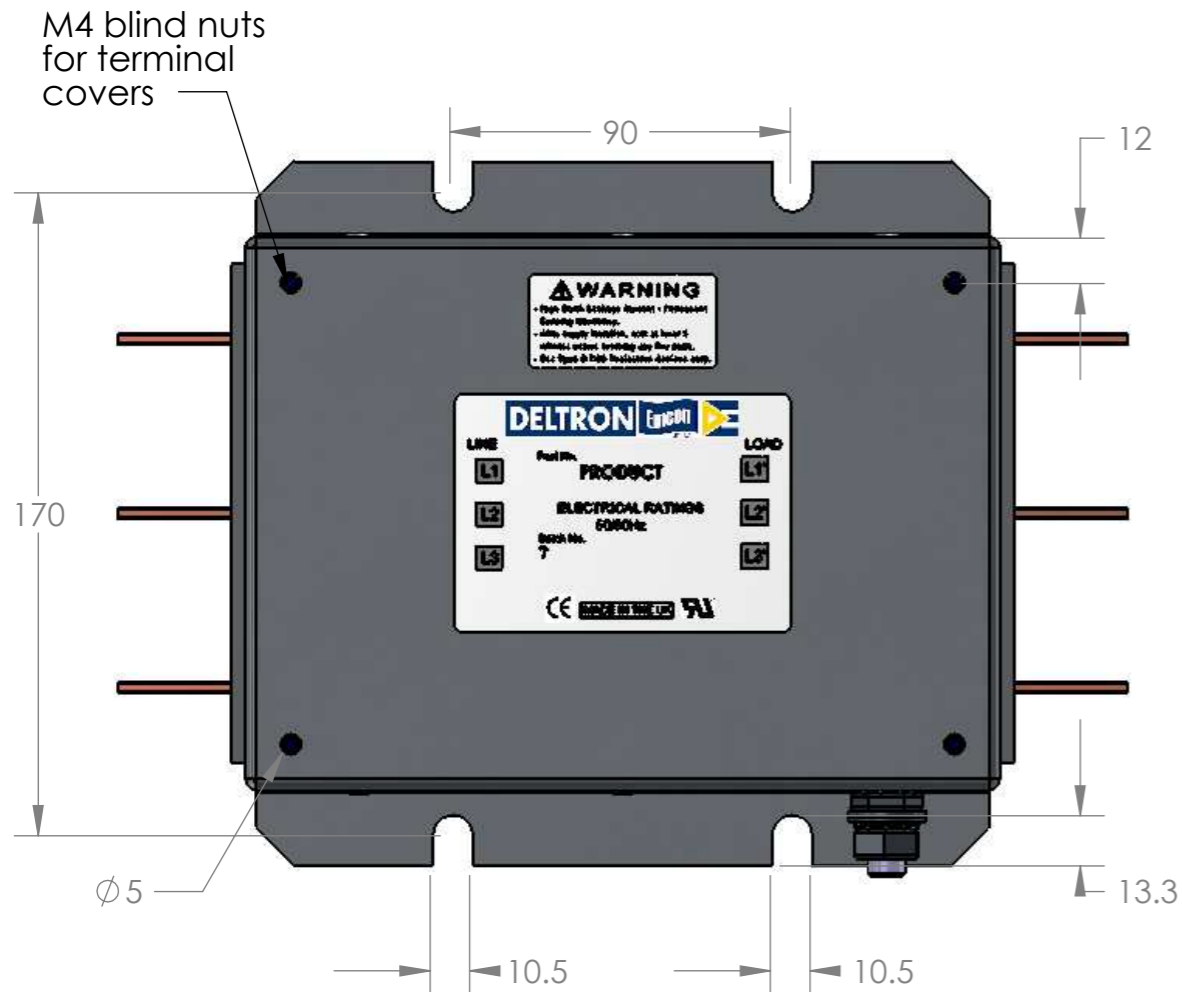


REV.	CNN	CNN DESCRIPTION	Date	Check in
18	-	boarder changed to new alpha 3	07/03/2011	John Hutchinson
19	-	boarder changed to new alpha 3	14/11/2011	John Hutchinson

RoHS
2002/95/EC
Compliant



ELECTRICAL
3P RFI Filter

current 320A (50°C)
voltage 480V (+10%)

leakage fault 99mA
leakage normal <5mA
operating frequency 50/60Hz
residual voltage (372V@5s, 48V@22s)
resistance dc 0.11mR/ph (50°C)
short circuit 18kA (200kA)
voltage withstand 3.3kVdc 1s
watts loss 33.8W (50°C)

MECHANICAL

busbar holes M10x20mm 30Nm
earth stud M10x25mm 25Nm
fixing slots M10 170x90mm 30Nm
mass unpackaged 4.4kg
material enclosure Al
material busbars Cu
material fixings SS

OPTIONS

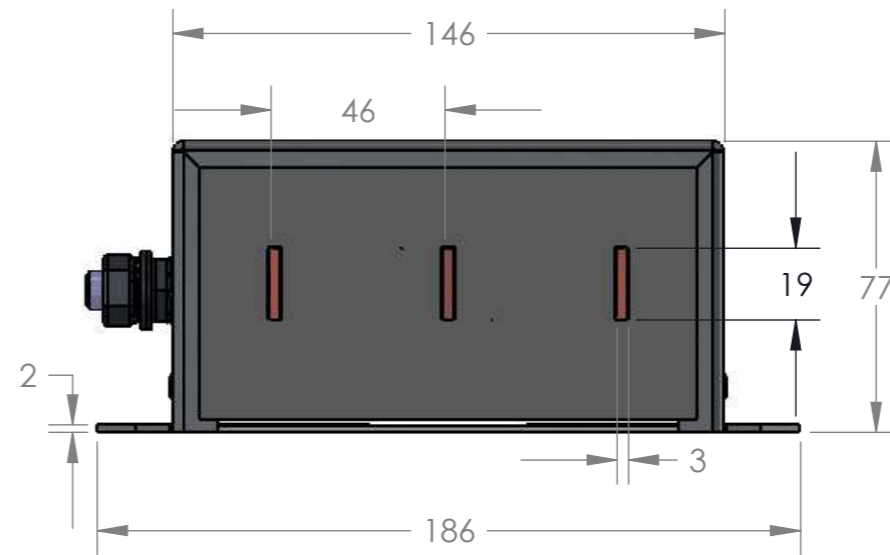
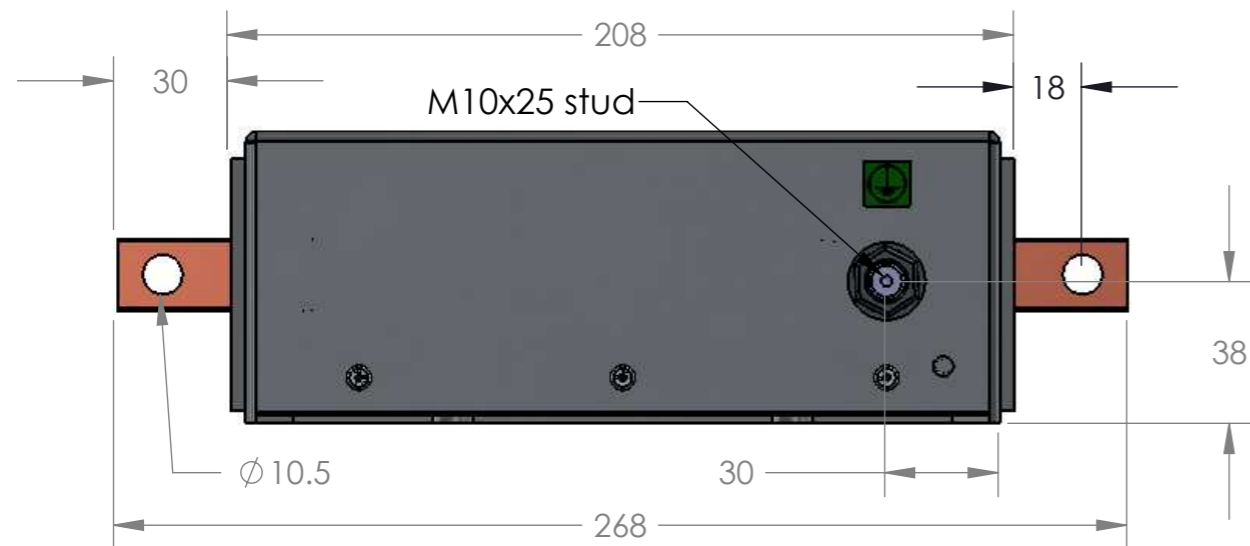
IP0 terminal covers
IP20 terminal covers

ENVIRONMENT

humidity 90% RH (non-condensing)
pollution class II
temperature -25 to +90°C
vibration 5-500Hz 1.5G

STANDARDS

EN60939-1 / EN61010-1
EN60950 / EN50178
UL1283 / UL508C / CSA C22.2 No.8



PROPRIETARY AND CONFIDENTIAL
THE INFORMATION CONTAINED IN THIS DRAWING IS THE SOLE PROPERTY OF ALPHA 3 MANUFACTURING. ANY REPRODUCTION IN PART OR AS A WHOLE WITHOUT THE WRITTEN PERMISSION OF ALPHA 3 MANUFACTURING IS PROHIBITED.

DEM DEM Manufacturing, Deltron Emcon House
Hargreaves Way, Sawcliffe Ind. Park,
Scunthorpe, North Lincolnshire, DN15 8RF, UK

UNLESS OTHERWISE SPECIFIED:
DIMENSIONS ARE IN MILLIMETRES
LINEAR TOLERANCE:
NO DECIMAL PLACES ±0.5mm
1 DECIMAL PLACE ±0.25mm
2 DECIMAL PLACES ±0.125mm
ANGULAR TOLERANCE: ±1°

FINISH	DEBURR AND BREAK SHARP EDGES	DRAWN BY	Hutchinson	TITLE	General Specification KMF3320A Mains Line Filter	
		APPROVED BY	Williams			
IF IN DOUBT ASK DO NOT SCALE DRAWING		THIRD ANGLE PROJECTION		SHEET 1 OF 1	DRAWING NO.	KMF3320A
				SCALE 1:5	ISSUE	19
MATERIAL	-		A3			Release