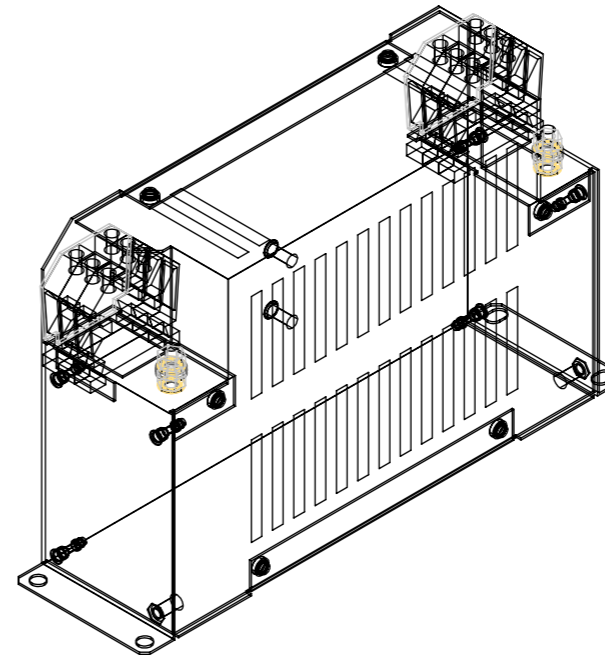
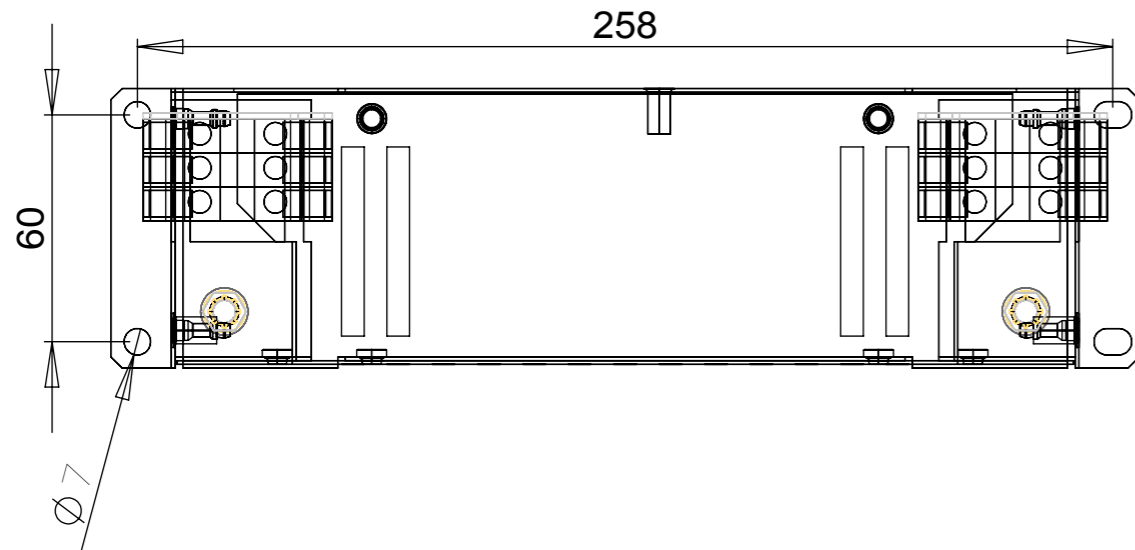
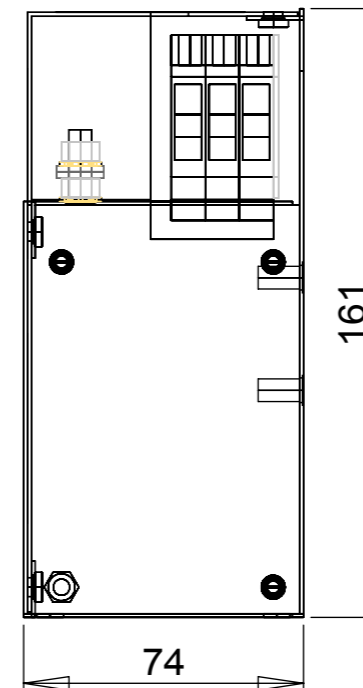
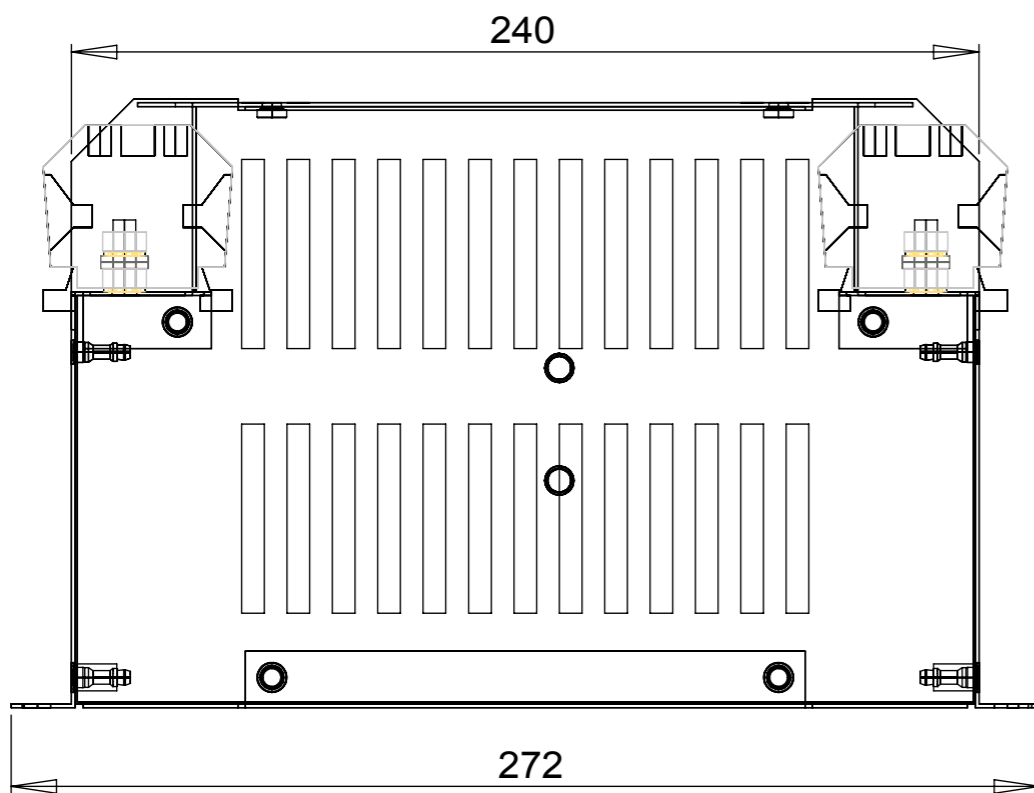


REV.	CNN	CNN DESCRIPTION	Date	Check in
01	-	CHANGE BORDER	19/03/2010	Shaun Barron
01	-	CHANGE BORDER	24/03/2010	Shaun Barron



SPECIFICATIONS

VOLTAGE 600Vac
FREQUENCY 50/60Hz
CURRENT 36A @ 40°C
TEMPERATURE -25 TO 100°C
LEAKAGE CURRENT 119mA @ 600V 50Hz
HUMIDITY 90% RH (NON-CONDENSING)
VIBRATION 10-200Hz 1.8G
ELECTRIC STRENGTH 3150Vac/1min.
POWER DISSIPATION 16W
MASS 2.7kg
TERMINALS 10sqmm TERMINAL BLOCK
EARTH TERMINALS M6 STUD
FLANGE MOUNTING 4x M6



RoHS
 2002/95/EC
 Compliant

Tel No.+44(0)1724273200 Website www.dem-uk.com



PROPRIETARY AND CONFIDENTIAL
 THE INFORMATION CONTAINED IN THIS DRAWING IS THE SOLE PROPERTY OF
ALPHA 3 MANUFACTURING.
 ANY REPRODUCTION IN PART OR AS A WHOLE WITHOUT THE WRITTEN
 PERMISSION OF
ALPHA 3 MANUFACTURING IS PROHIBITED.

DEM Manufacturing, Deltron Emcon House
 Hargreaves Way, Sawcliffe Ind. Park,
 Scunthorpe, North Lincolnshire, DN15 8RF, UK

UNLESS OTHERWISE SPECIFIED:
 DIMENSIONS ARE IN MILLIMETRES
 LINEAR TOLERANCE:
NO DECIMAL PLACES ±0.5mm
1 DECIMAL PLACE ±0.25mm
2 DECIMAL PLACES ±0.125mm
 ANGULAR TOLERANCE: ±1°

FINISH	-	DEBURR AND BREAK SHARP EDGES
MATERIAL	N/A	

DRAWN BY	NL
APPROVED BY	NL
THIRD ANGLE PROJECTION	

TITLE	GENERAL SPECIFICATION 3 PHASE 36A 600V INDUSTRIAL FILTER
SHEET 1 OF 1	
SCALE 1:1	
A3	

DRAWING NO.	KMF336V	ISSUE	01
			Release