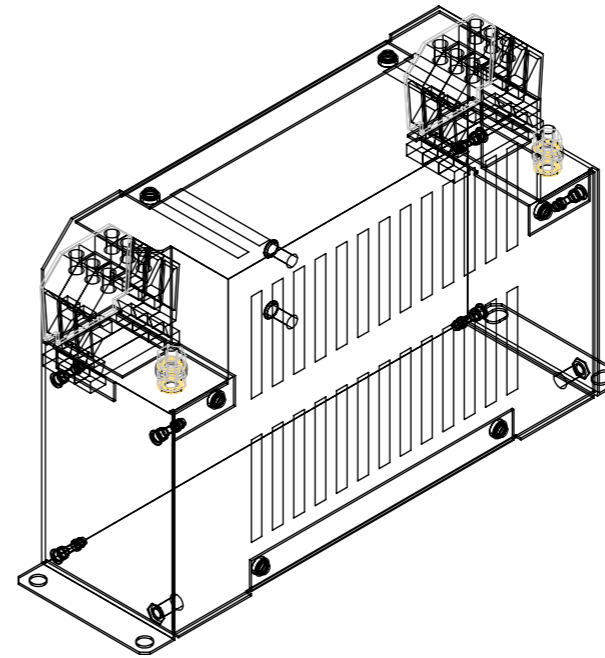
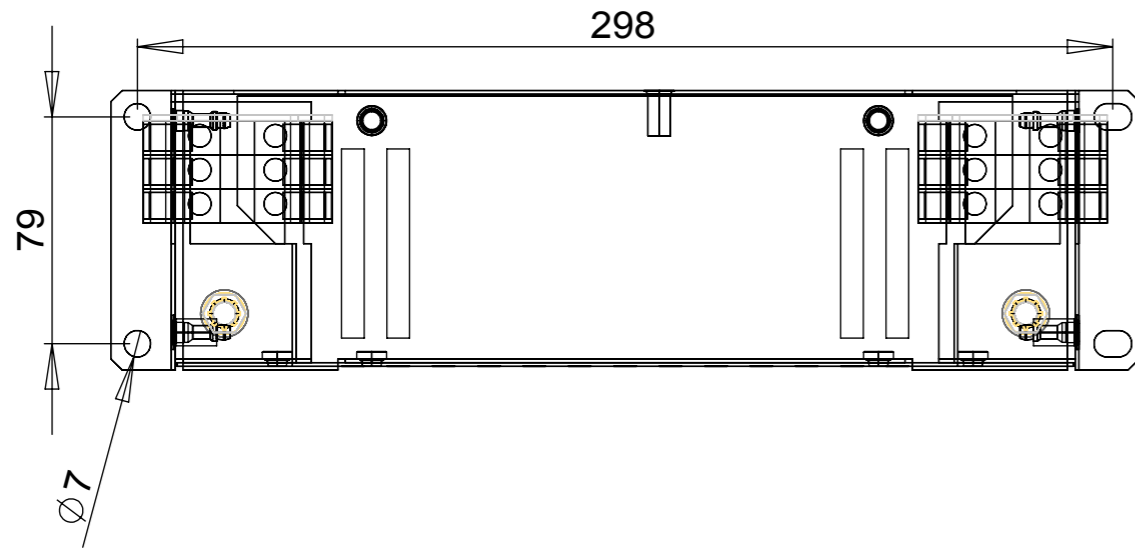
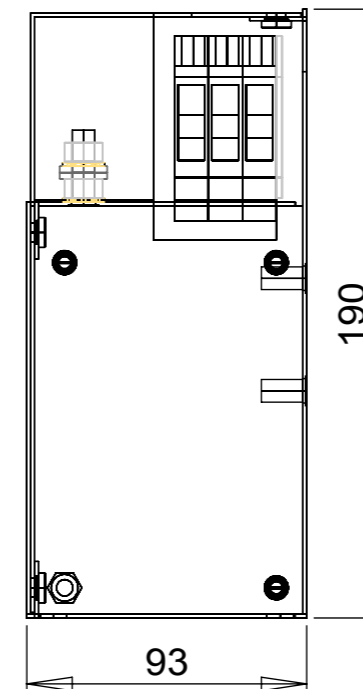
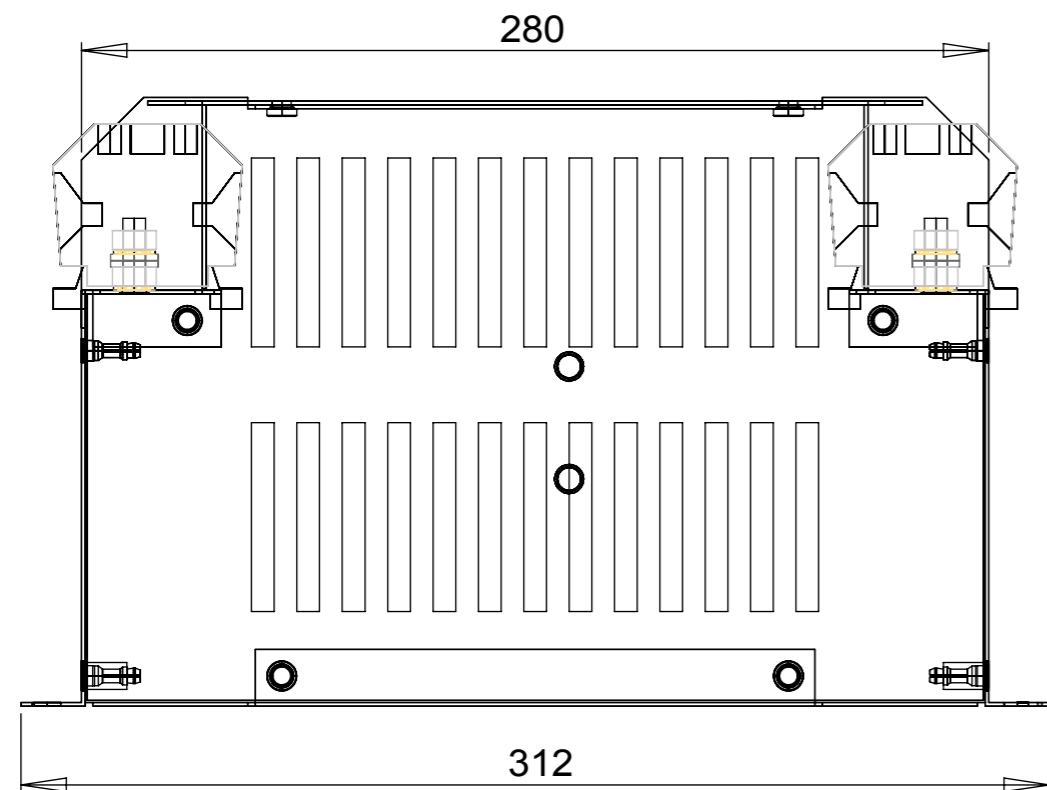


REV.	CNN	CNN DESCRIPTION	Date	Check in
02	-	NEW BORDER	20/01/2010	Shaun Barron



### SPECIFICATIONS

VOLTAGE 600Vac  
 FREQUENCY 50/60Hz  
 CURRENT 70A @ 40°C  
 TEMPERATURE -25 TO 100°C  
 LEAKAGE (FAULT) 178mA @ 600V 50Hz  
 HUMIDITY 90% RH (NON-CONDENSING)  
 VIBRATION 10-200Hz 1.8G  
 ELECTRIC STRENGTH 3150Vdc/1min.  
 POWER DISSIPATION 19W  
 MASS 4.2kg  
 TERMINALS 50sqmm TERMINAL BLOCK  
 EARTH TERMINALS M8 STUD  
 FLANGE MOUNTING 4x M6



RoHS  
 2002/95/EC  
 Compliant

Tel No.+44(0)1724273200 Website www.dem-uk.com



**PROPRIETARY AND CONFIDENTIAL**  
 THE INFORMATION CONTAINED IN THIS DRAWING IS THE SOLE PROPERTY OF  
**ALPHA 3 MANUFACTURING.**  
 ANY REPRODUCTION IN PART OR AS A WHOLE WITHOUT THE WRITTEN  
 PERMISSION OF  
**ALPHA 3 MANUFACTURING IS PROHIBITED.**

**DEM** DEM Manufacturing, Deltron Emcon House  
 Hargreaves Way, Sawcliffe Ind. Park,  
 Scunthorpe, North Lincolnshire, DN15 8RF, UK

UNLESS OTHERWISE SPECIFIED:  
 DIMENSIONS ARE IN MILLIMETRES  
 LINEAR TOLERANCE:  
**NO DECIMAL PLACES ±0.5mm**  
**1 DECIMAL PLACE ±0.25mm**  
**2 DECIMAL PLACES ±0.125mm**  
 ANGULAR TOLERANCE: ±1°

FINISH	-	DEBURR AND BREAK SHARP EDGES	DRAWN BY	AT	TITLE	GENERAL SPECIFICATION 3 PHASE 70A 600V INDUSTRIAL FILTER
	-		APPROVED BY	SW		
	-		THIRD ANGLE PROJECTION		SHEET 1 OF 1	DRAWING NO.
					SCALE 1:1	KMF370V
MATERIAL	-				A3	ISSUE
						02
						Release

IF IN DOUBT ASK  
DO NOT SCALE DRAWING



A3  
 KMF370V  
 02  
 Release