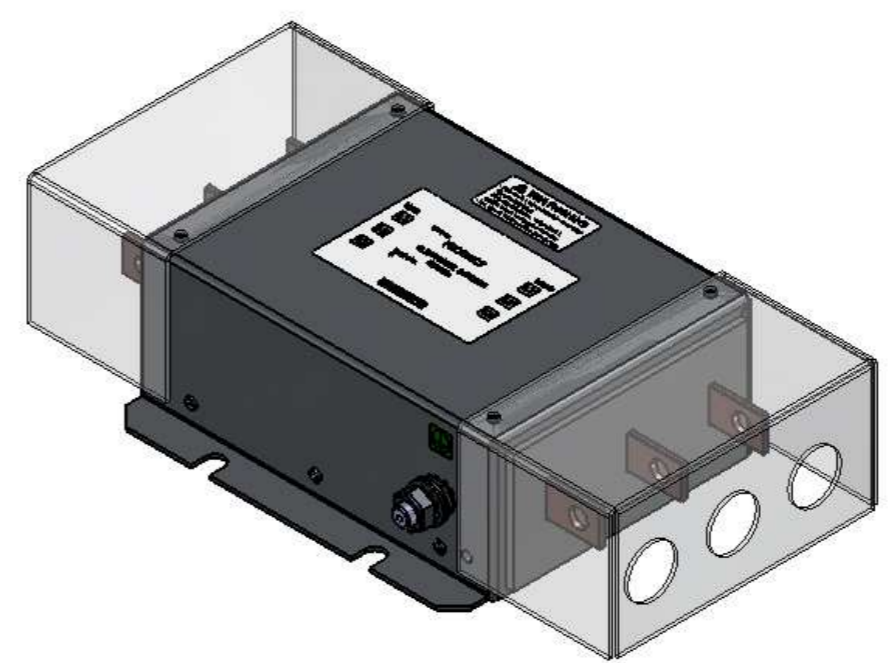
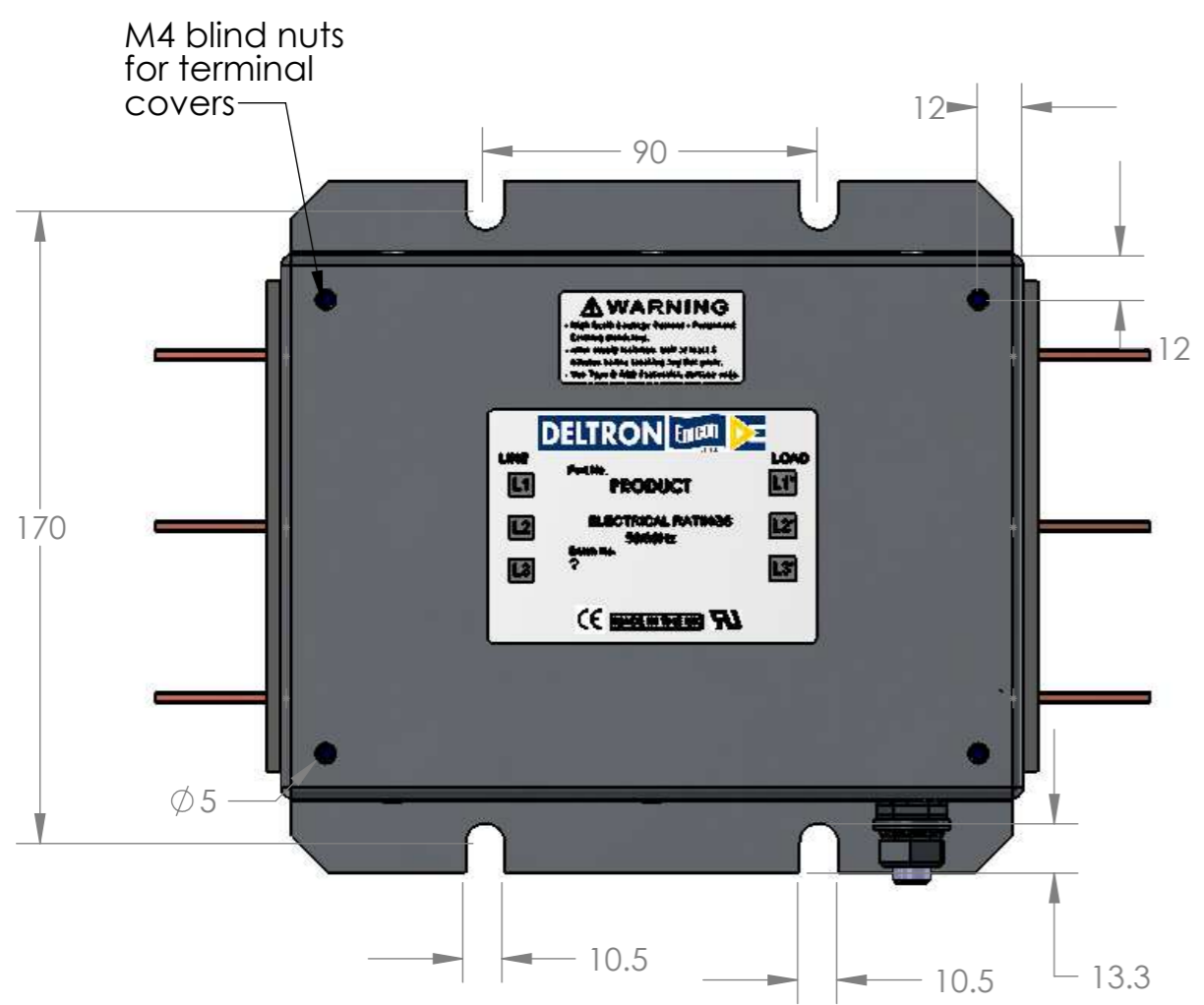


RoHS  
2002/95/EC  
Compliant



**ELECTRICAL**  
3P RFI Filter

current 320A (50°C)  
voltage 690V (+5%)

leakage fault 130mA  
leakage normal <5mA  
operating frequency 50/60Hz  
residual voltage (594V@5s, 50V@30s )  
resistance dc 0.11mR/ph (50°C)  
short circuit 30kA (200kA)  
voltage withstand 4.05kVdc 1s  
watts loss 33.8W (50°C)

**MECHANICAL**

busbar holes M10x20mm 30Nm  
earth stud M10x25mm 25Nm  
fixing slots M10 170x90mm 30Nm  
mass unpackaged 4.4kg  
material enclosure Al  
material busbars Cu  
material fixings SS

**OPTIONS**

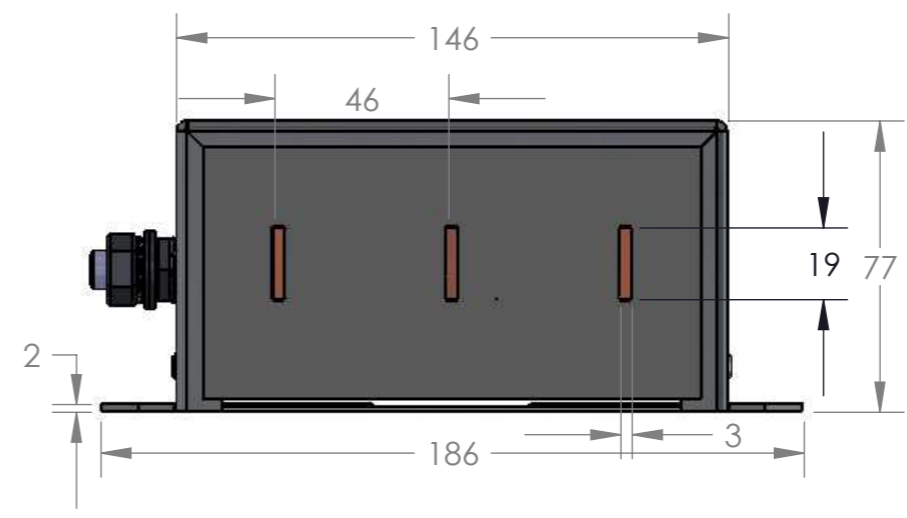
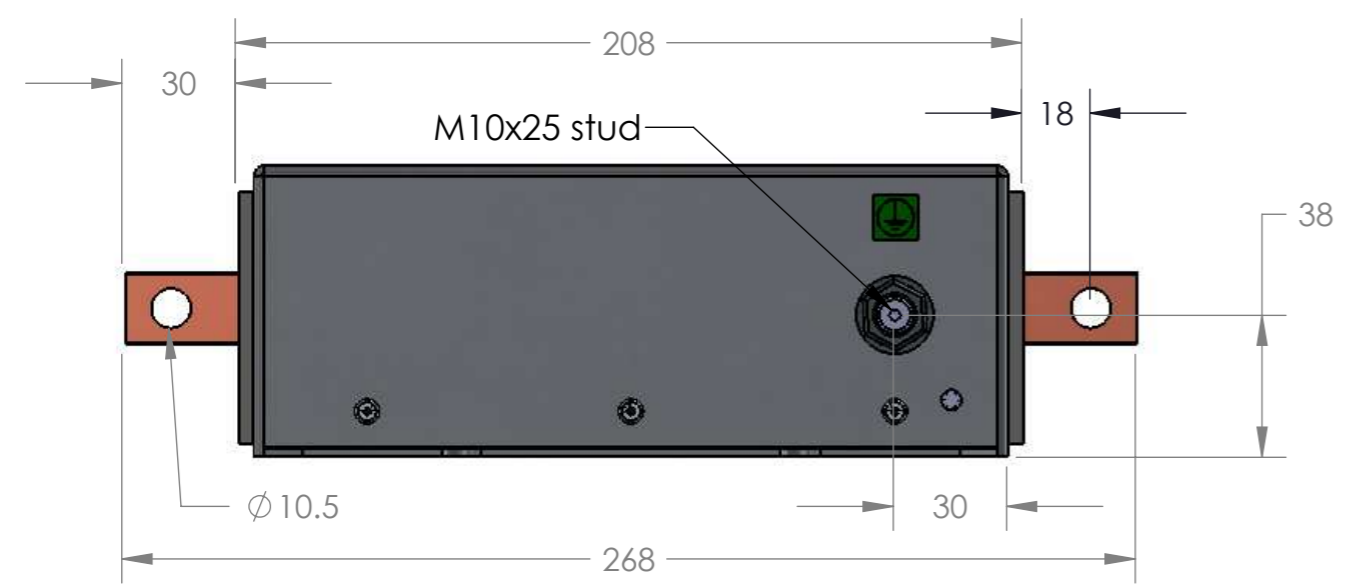
IP0 terminal covers  
IP20 terminal covers

**ENVIRONMENT**

humidity 90% RH (non-condensing)  
pollution class II  
temperature -25 to +90°C  
vibration 5-500Hz 1.5G

**STANDARDS**

EN60939-1 / EN61010-1  
EN60950 / EN50178  
UL1283 / UL508C / CSA C22.2 No.8



Tel No.+44(0)1724273200 Website www.dem-uk.com



**PROPRIETARY AND CONFIDENTIAL**  
THE INFORMATION CONTAINED IN THIS DRAWING IS THE SOLE PROPERTY OF  
**ALPHA 3 MANUFACTURING**.  
ANY REPRODUCTION IN PART OR AS A WHOLE WITHOUT THE WRITTEN  
PERMISSION OF  
**ALPHA 3 MANUFACTURING** IS PROHIBITED.

**DEM**      DEM Manufacturing, Deltron Emcon House  
Hargreaves Way, Sawcliffe Ind. Park,  
Scunthorpe, North Lincolnshire, DN15 8RF, UK

UNLESS OTHERWISE SPECIFIED:  
DIMENSIONS ARE IN MILLIMETRES  
LINEAR TOLERANCE:  
**NO DECIMAL PLACES ±0.5mm**  
**1 DECIMAL PLACE ±0.25mm**  
**2 DECIMAL PLACES ±0.125mm**  
ANGULAR TOLERANCE: ±1°

FINISH	DEBURR AND BREAK SHARP EDGES	DRAWN BY Hutchinson	TITLE General Specification KMF3320V Mains Line Filter
		APPROVED BY Williams	
	IF IN DOUBT ASK DO NOT SCALE DRAWING	THIRD ANGLE PROJECTION	DRAWING NO. KMF3320V
MATERIAL	2.0mm Aluminium	SCALE 1:5 A3	ISSUE 04 Release