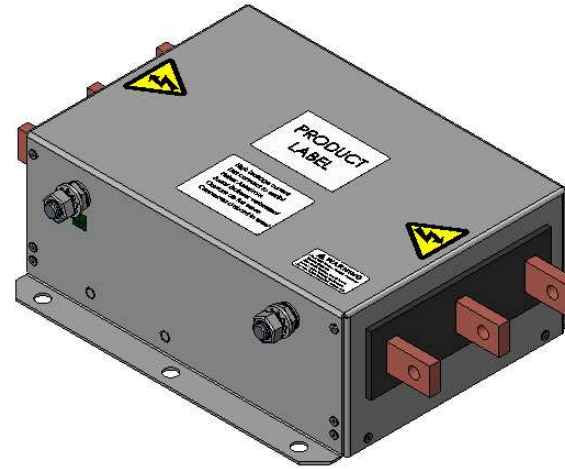
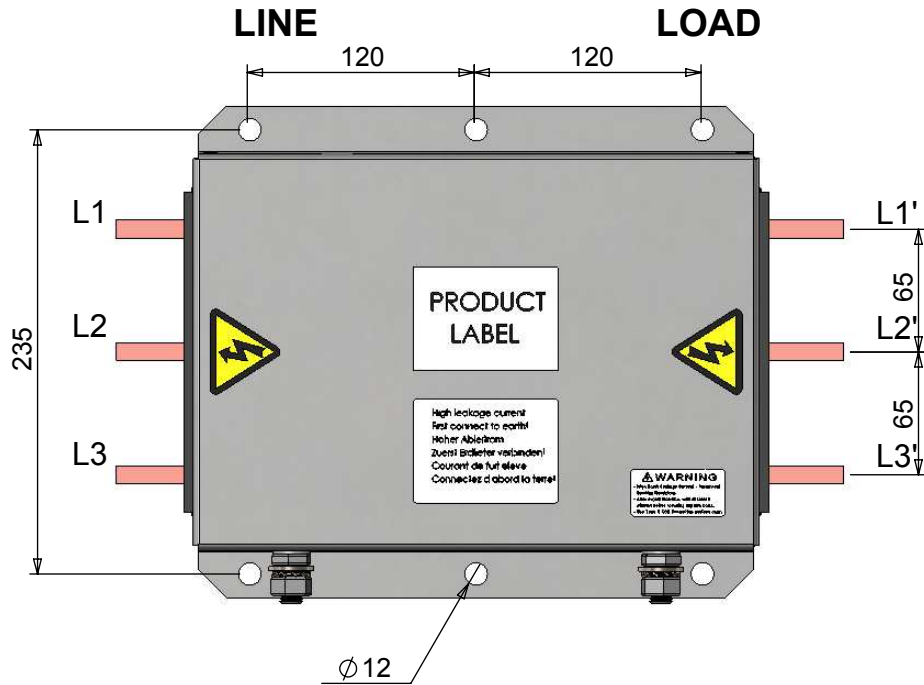


REV.	CNN	CNN DESCRIPTION	Date	Check in
02	-	-	07/03/2011	John Hutchinson
03	-	-	14/11/2011	John Hutchinson



### ELECTRICAL

#### 3P RFI Filter

current 620A (50°C)  
voltage 690V (+5%)

leakage fault 130mA  
leakage normal <5mA  
operating frequency 50/60Hz  
residual voltage (594V@5s, 50V@30s)  
resistance dc 0.034mR (50°C)  
short circuit 85kA (200kA)  
voltage withstand 4.05kVdc 1s  
watts loss 39W (50°C)

### MECHANICAL

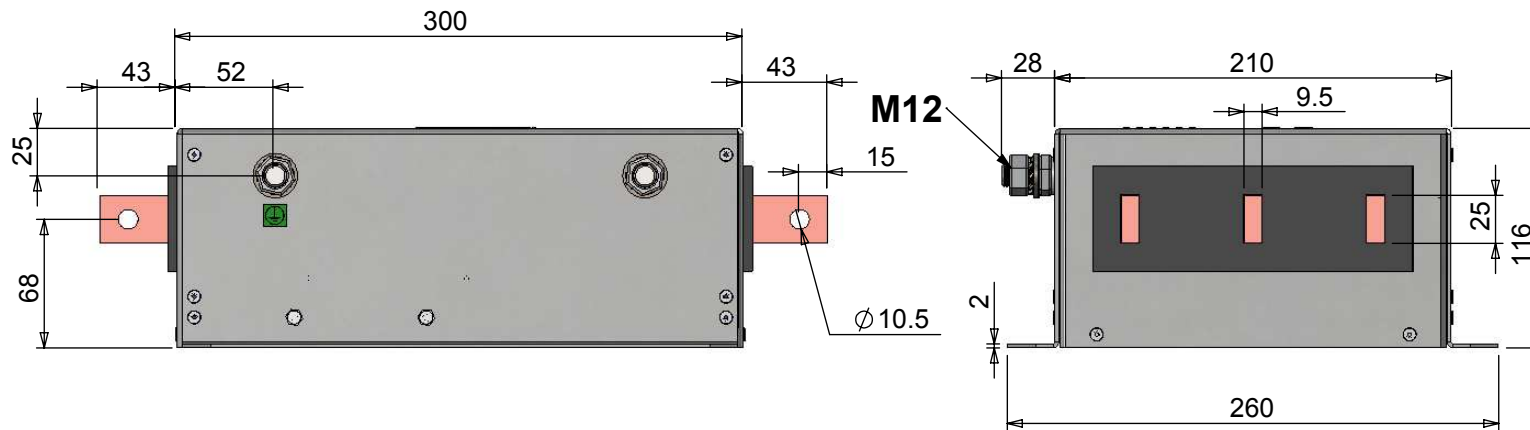
busbar holes M10. 30Nm  
earth stud M12. 25Nm  
fixing holes M10. 30Nm  
mass unpackaged 15.0kg  
material enclosure Al  
material busbars Cu  
material fixings SS

### ENVIRONMENT

humidity 90% RH (non-condensing)  
pollution class II  
temperature -25 to +90°C  
vibration 5-500Hz 1.5G

### STANDARDS

EN60939-1 / EN61010-1  
EN60950 / EN50178  
UL1283 / UL508C / CSA C22.2 No.8



Tel No. +44(0)1724 273200 Website www.dem-uk.com



PROPRIETARY AND CONFIDENTIAL  
THE INFORMATION CONTAINED IN THIS DRAWING IS THE SOLE PROPERTY OF  
ALPHA 3 MANUFACTURING.  
ANY REPRODUCTION IN PART OR AS A WHOLE WITHOUT THE WRITTEN PERMISSION OF  
ALPHA 3 MANUFACTURING IS PROHIBITED.



UNLESS OTHERWISE SPECIFIED:  
DIMENSIONS ARE IN MILLIMETRES  
LINEAR TOLERANCE:  
NO DECIMAL PLACES ±0.5mm  
1 DECIMAL PLACE ±0.25mm  
2 DECIMAL PLACES ±0.125mm  
ANGULAR TOLERANCE: ±1°

FINISH	ALU 2.0mm	DEBURR AND BREAK SHARP EDGES
MATERIAL	2.0mm ALU	

DRAWN BY	SPB
APPROVED BY	JH
THIRD ANGLE PROJECTION	

SHEET 1 OF 1
SCALE 1:4
A4

TITLE	General Specification
	KMF3620V
	Mains Line Filter
DRAWING NO.	KMF3620V
ISSUE	03
	Release