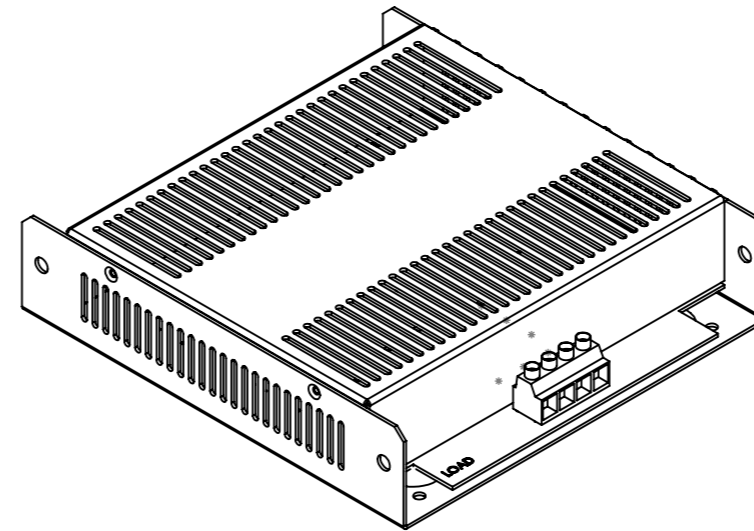
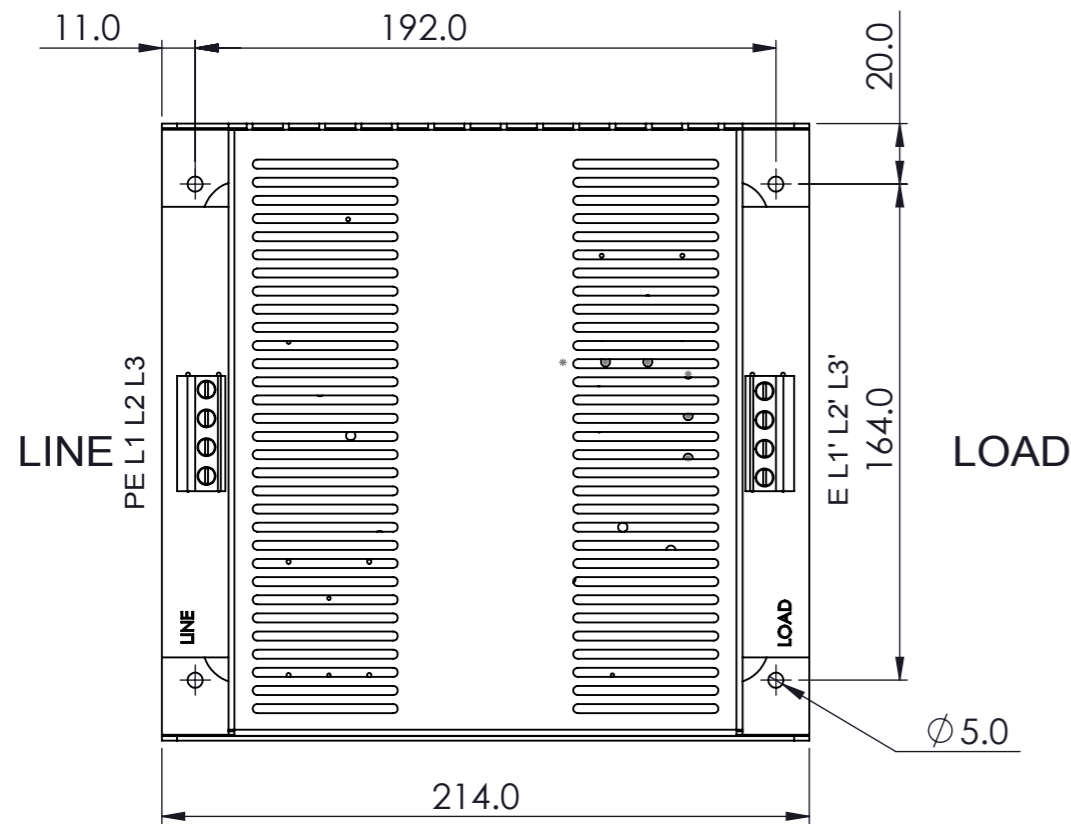


REV.	CNN	CNN DESCRIPTION	Date	Check in
04	-	BORDER CHANGE	02/02/2010	Shaun Barron

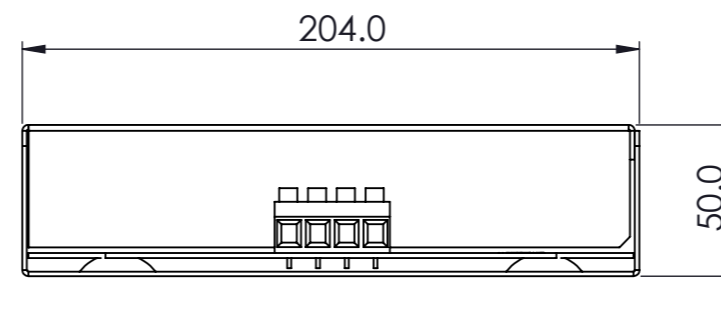
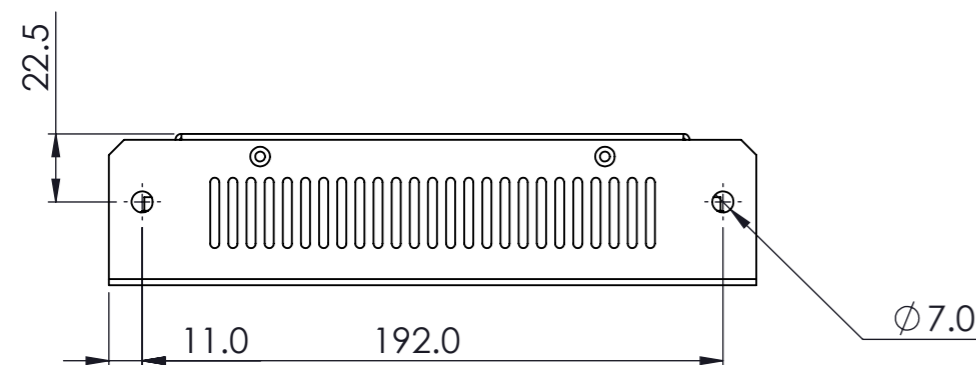
RoHS
2002/95/EC

Compliant



SPECIFICATION

VOLTAGE 500VAC
 FREQUENCY 50/60Hz
 CURRENT 23A @ 40 deg C
 TEMPERATURE -25 TO 100 deg C
 LEAKAGE CURRENT:-
 AS PER IEC950 = 80mA @ 500V 50Hz
 HUMIDITY 90% RH
 VIBRATION 10-200Hz 1.8G
 ELECTRIC STRENGTH 2250VAC/1min.
 POWER LOSS (FULL LOAD) = 20W
 TERMINALS 0.2-4sqmm (24-10AWG)
 RECOMMENDED TORQUE 0.5-0.6Nm
 WEIGHT 1.6kg
 BACK MOUNTING 4x M4
 SIDE MOUNTING 2x M6
 METAL OXIDE VARISTORS L - E 660V



CONSTRUCTION

PERFORATED ALUMINIUM BODY FOR AIR COOLING
 ALL COMPONENTS PCB MOUNTED

Tel No.+44(0)1724273200 Website www.dem-uk.com



PROPRIETARY AND CONFIDENTIAL
 THE INFORMATION CONTAINED IN THIS DRAWING IS THE SOLE PROPERTY OF ALPHA 3 MANUFACTURING.
 ANY REPRODUCTION IN PART OR AS A WHOLE WITHOUT THE WRITTEN PERMISSION OF ALPHA 3 MANUFACTURING IS PROHIBITED.

DEM Manufacturing, Deltron Emcon House
 Hargreaves Way, Sawcliffe Ind. Park,
 Scunthorpe, North Lincolnshire, DN15 8RF, UK

UNLESS OTHERWISE SPECIFIED:
 DIMENSIONS ARE IN MILLIMETRES
 LINEAR TOLERANCE:
NO DECIMAL PLACES ±0.5mm
1 DECIMAL PLACE ±0.25mm
2 DECIMAL PLACES ±0.125mm
 ANGULAR TOLERANCE: ±1°

FINISH	.	DEBURR AND BREAK SHARP EDGES	DRAWN BY	SW	TITLE	GENERAL SPECIFICATION FOR MIF323	
	.		APPROVED BY	IS			
			THIRD ANGLE PROJECTION		SHEET 1 OF 1	DRAWING NO.	MIF323
					SCALE 1:2.5		ISSUE 04
MATERIAL	-				A3		Release
IF IN DOUBT ASK DO NOT SCALE DRAWING							