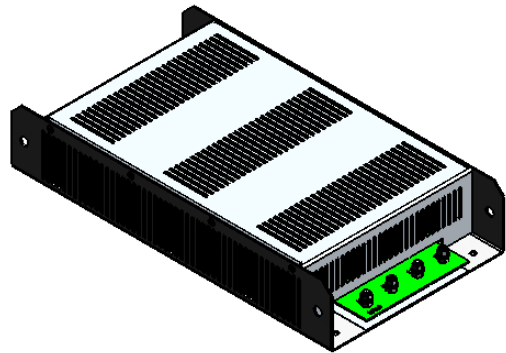
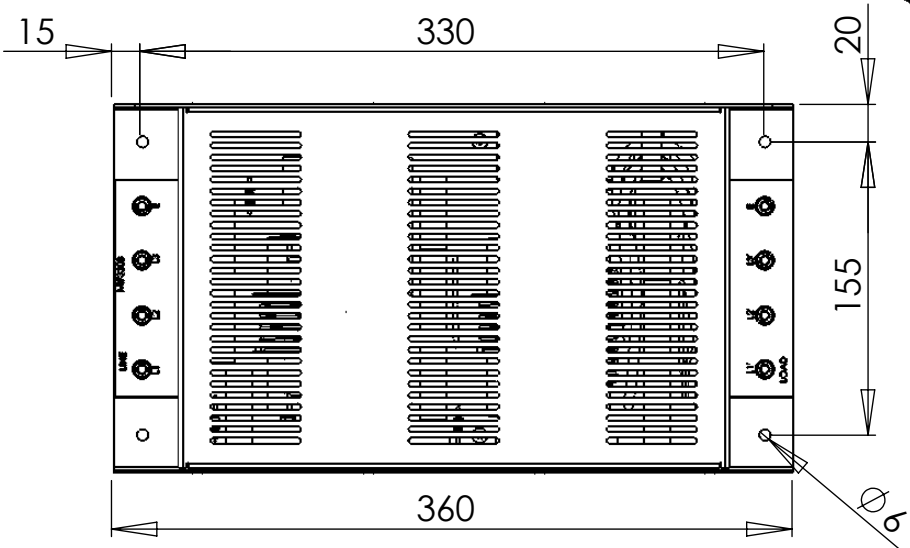


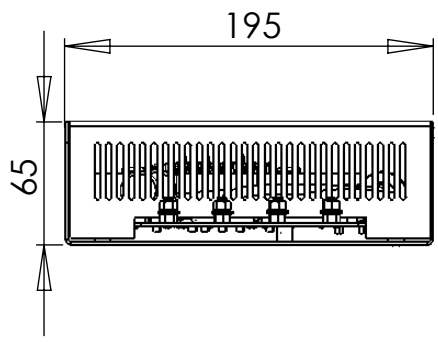
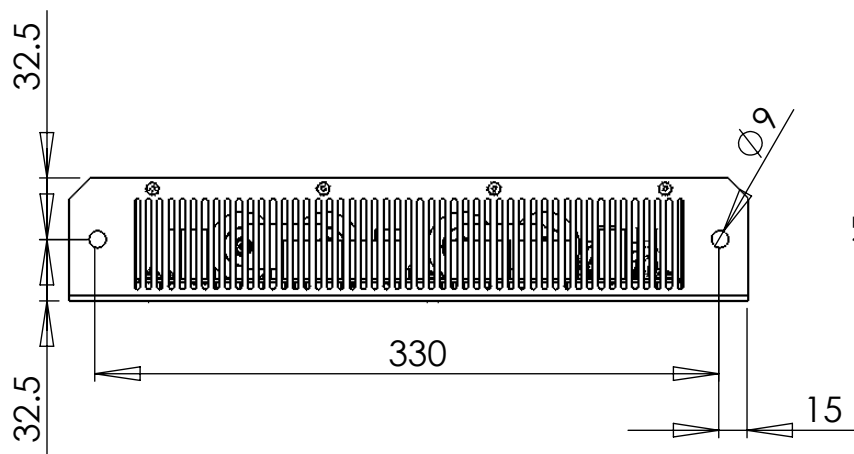
REV.	CNN	CNN DESCRIPTION	Date	Check in
05	-	NEW BORDER	20/01/2010	Shaun Barron
05	-	NEW BORDER	20/01/2010	Shaun Barron



**RoHS
2002/95/EC**
Compliant

SPECIFICATION

VOLTAGE 500Vac
 FREQUENCY 50/60Hz
 CURRENT 30A @ 40C
 OVERLOAD CURRENT 150% 1MIN. 200% 1SEC
 TEMPERATURE -25 TO 85 deg C
 LEAKAGE CURRENT:-
 AS PER IEC950 = 64mA @ 415V 50Hz
 HUMIDITY 90% RH
 VIBRATION 10-200Hz 1.8G
 ELECTRIC STRENGTH 2500VAC/1min.
 POWER LOSS (FULL LOAD) = 38 W
 WEIGHT 2.7 Kg
 BACK MOUNTING 4x M5
 SIDE MOUNTING 2x M8



ATTENUATION

COMMON MODE - 80dB AT 150kHz
 DIFFERENTIAL MODE - 50dB AT 150kHz
 DESIGNED TO MEET EN55022B (DOMESTIC)
 WHEN SCREENED MOTOR CABLE USED

CONSTRUCTION

PERFORATED ALUMINIUM BODY FOR AIR COOLING,
 ALUMINIUM BASE WITH CAPACITOR NETWORKS
 PCB MOUNTED, CHOKES AIR COOLED FIXED TO
 BASE PLATE, INSULATING TERMINAL BOOTS
 SUPPLIED WITH FILTER.

Tel No. +44(0)1724 273200 Website www.dem-uk.com

Alpha3 manufacturing
ROXBURGH EMC
DELTRON Components
DELTRON Enclosures

DEM PROPRIETARY AND CONFIDENTIAL
 THE INFORMATION CONTAINED IN THIS DRAWING IS THE SOLE PROPERTY OF ALPHA 3 MANUFACTURING.
 ANY REPRODUCTION IN PART OR AS A WHOLE WITHOUT THE WRITTEN PERMISSION OF ALPHA 3 MANUFACTURING IS PROHIBITED.

DEM Manufacturing, Deltron Emcon House
 Hargreaves Way, Sawcliffe Ind. Park,
 Scunthorpe, North Lincolnshire, DN15 8RF, UK

UNLESS OTHERWISE SPECIFIED:
 DIMENSIONS ARE IN MILLIMETRES
 LINEAR TOLERANCE:
NO DECIMAL PLACES ±0.5mm
1 DECIMAL PLACE ±0.25mm
2 DECIMAL PLACES ±0.125mm
 ANGULAR TOLERANCE: ±1°

FINISH -
 DEBURR AND BREAK SHARP EDGES
 IF IN DOUBT ASK DO NOT SCALE DRAWING
 MATERIAL ALUMINIUM

DRAWN BY SPB
 APPROVED BY SW
 THIRD ANGLE PROJECTION
 SHEET 1 OF 1
 SCALE 1:4
 A4

TITLE General Specification
 3 Phase 500V 30A
 Mains Filter
 DRAWING NO. MIF330B
 ISSUE **05**
 Release