

Item : EMI Filter  
 Model No. : RES5-Series

Rev. : 0  
 3 - 2

**A. General Specifications**

Model	Rated Voltage AC,DC[V]	Rated Current [A]	Leakage Current Max. [mA]	Temperature Rise Max. [°C]
RES5-*03	250	3	0.50	30
RES5-*05	250	5	0.50	30
RES5-*08	250	8	0.50	30
RES5-*10	250	10	0.50	35
RES5-*15	250	15	0.50	45

\*Leakage current measuring method

UL 1283 : -24 and FIG 24.1 SB0670A with 250V AC 60Hz

\*Temperature rise measuring method

VDE 0565-3 : - 2.3.3 and - 4.5

**B. Operating Temperature Range**

-25°C to +85°C including temperature rise.

**C. Withstand Voltage**

1500V AC for 1 minute between line to ground.

1800V DC for 1 minute between line to line.(Without bleeder resistor)

Meet over voltage category II(2.5kV) of IEC 664.

**D. Insulation Resistance**

300MΩ minimum at 500V DC between line to ground.

**E. Voltage Drop**

1 volt maximum at rated current.

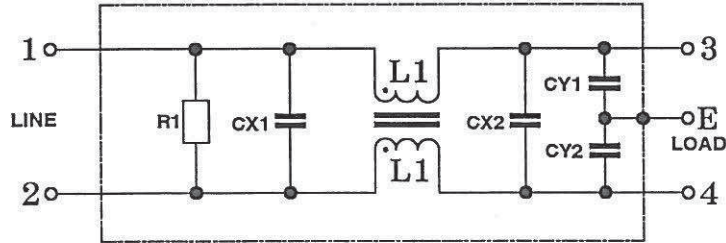
**F. Circuit Diagram and Component Value**

- Refer to attached Appendix page A1

Item : EMI Filter  
 Model No. : RES5-Series(Appendix)

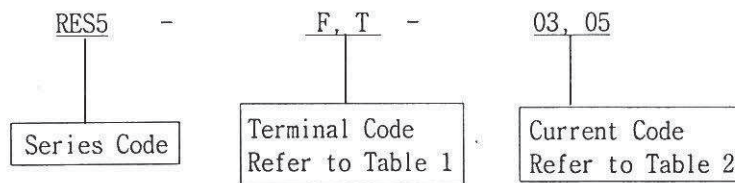
Rev. : 0  
 A 1

※ .Circuit Diagram and Component Values



MODEL		RES5-*03	RES5-*05	RES5-*08	RES5-*10	RES5-*15
Coil	L1	12.0mH +50%, -30%	5.0mH +50%, -30%	3.0mH +50%, -30%	2.2mH +50%, -30%	0.9mH +50%, -30%
X-Capacitor	CX1,2	0.1μF ±20%				
Y-Capacitor	CY1,2	3300pF ±20%				
Resistor	R1	1MΩ, 1/2W				
I/O Terminal		-F** : Faston Tab #250 Type		-T** : M4 Stud Type		

Construction of Model No.



\* Table 1 : Terminal Code

Suffix	F	T
Terminal	Faston Tab #250	Stud M4

\* Table 2 : Current Code

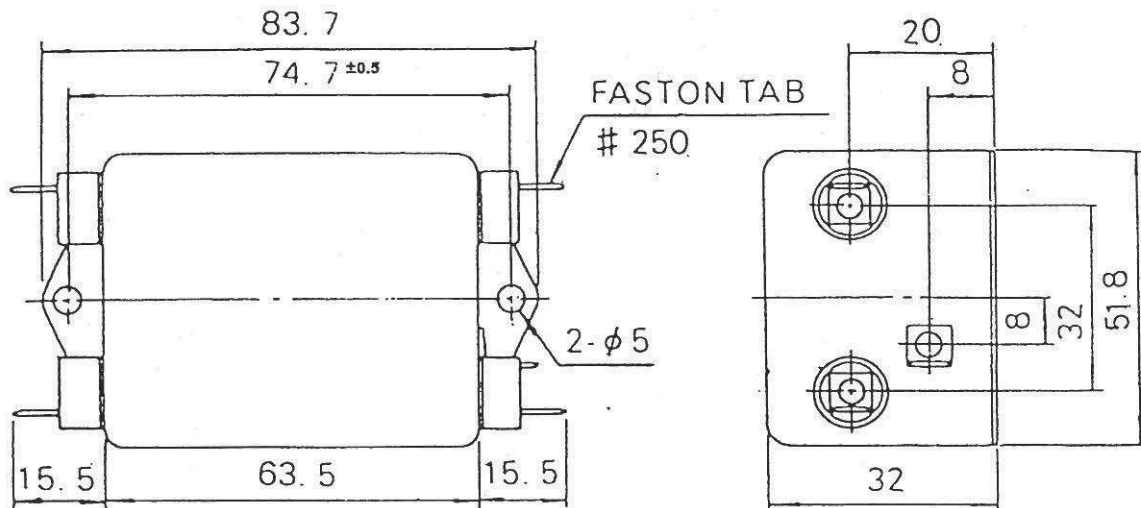
Suffix	03	05	08	10	15
Current	3A	5A	8A	10A	15A

Item : EMI Filter  
Model No. : RES5-Series(Appendix)

Rev. : 0  
A 3

※ . Shapes and Dimensions (General Tolerance:  $\pm 1.0\text{mm}$ )

1) RES5-F Type



2) ES5-T Type

