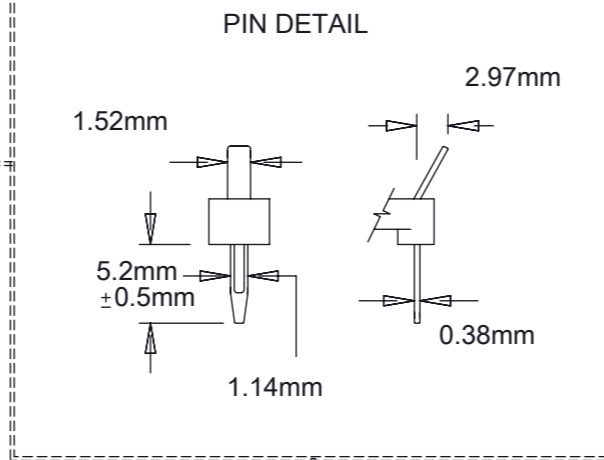
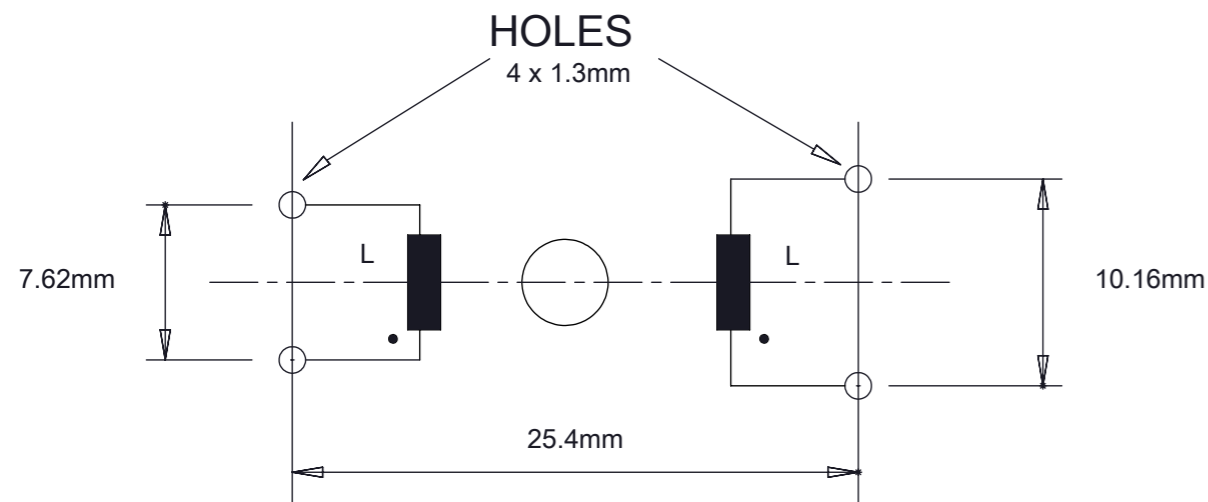


PRODUCT RANGE			
TYPE	I(Amps)	L(mH)	R(mOhm) per winding
CMV05	0.5	40	2300
CMV10	1.0	18	640
CMV20	2.0	7.5	160
CMV30	3.0	3.2	71
CMV40	4.0	2.4	40
CMV60	6.0	1.4	19
CMV80	8.0	0.74	9.6

MAXIMUM HEIGHT ABOVE P.C.B. - 31mm±1
 MAXIMUM FOOTPRINT - 32mm X 17mm

MOUNTING DETAIL VIEWED FROM COMPONENT SIDE



SPECIFICATION

RATED VOLTAGE 250V AC
 LINE FREQUENCY DC TO 440Hz
 TEMPERATURE RANGE -25C TO + 100C
 AMBIENT TEMPERATURE +45C @ RATED CURRENT