

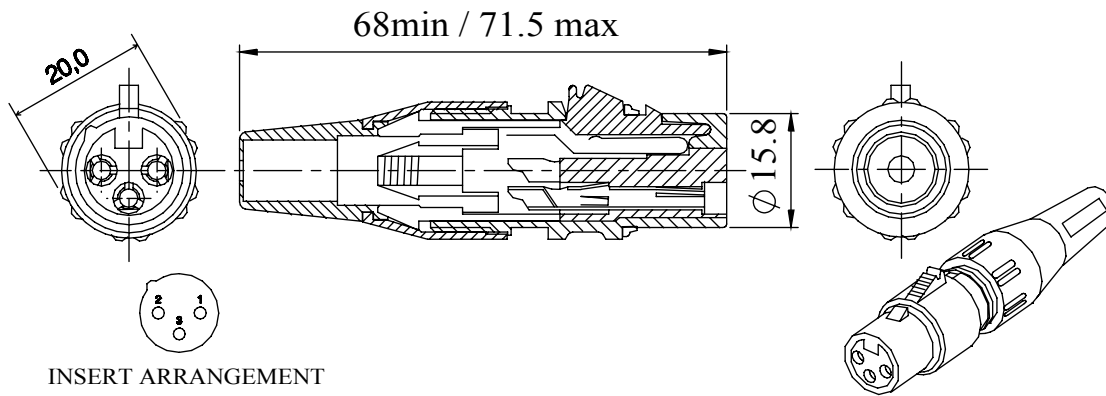
A range of audio & video connectors incorporating many innovative features. Assembly and disassembly is screw less and is achieved by a few quick turns of the back shell.

- a range of coloured plastic coding rings, each with a single number moulded in, offer a quick and easy system of channel identification.
- Internal design features allow for a quick and simple insert assembly.
- pressed socket contacts which 'float' to assist plug mating, also ensuring a positive 'wrap-round' contact with the pin, since they can 'move' with the pins should any movement occur between mating connectors.
- A single piece latch which is simple to operate, mating smoothly with both lockable and non-latching connectors.
- The strain relief collet ensures a positive cable grip.

Mechanical Properties

Cable Retention	Chuck and Screw Collar
Cable Range	Ø 2,8mm to Ø 8,0mm
Housing	Zinc high pressure diecasting
Contact Base	Valox DR48
Contacts	Phos Bronze (pressed), 3 m silver Anti-tarnish finish, or 0,5 m gold Zinc high pressure diecasting Satin nickel or black chrome
Latch	P.V.C. (black)
Strain Relief	Santoprene (UL 94 HB)
Sealing Ring	Acetal (UL 94 HB)
Chuck	Zinc high pressure diecasting
Screw Collar	Satin nickel or black chrome
Screen	Spring Steel, 3 m silver anti-tarnish
Interchangeable Connector Ident	Spring-on coloured rings
Ident Options	Acetal (UL94 HB) Black, Brown, Red, Orange, Yellow, Green, Blue, Violet Grey, White

Dimensions



Deltron Part No	Silver Contacts		Gold Contacts	
	Nickel	Black	Nickel	Black
3-Way	700-0300	708-0300	704-0300	712-0300

RoHS
2002/95/EC
Compliant

Electrical

Rated Voltage	50 V a.c.
Test Voltage	1000 V r.m.s.
Insulation Resistance	103 MΩ
After damp heat	500 MΩ
Contact Resistance	10 mΩ max
Current Rating at 40 deg C	3 pin - 15 amp 4 pin - 10 5 pin - 7.5 amp
Current Rating at 70 deg C	3 pin - 7.5 amp 4 pin - 5 5 pin - 3 amp
Terminal wire sizes	3 pin 2.5 mm ² / 14 AWG 4 pin 1.5 mm ² / 16 AWG 5 pin 1.0 mm ² / 18 AWG
Climatic	
Climatic category	25/070/04
Temperature Range	-25°C to +70°C
Damp heat, steady state	4 days

Tel No. +44(0)1724 273200 Website www.dem-uk.com

PROPRIETARY AND CONFIDENTIAL

THE INFORMATION CONTAINED IN THIS DRAWING IS THE SOLE PROPERTY OF ALPHA 3 MANUFACTURING. ANY REPRODUCTION IN PART OR AS A WHOLE WITHOUT THE WRITTEN PERMISSION OF ALPHA 3 MANUFACTURING IS PROHIBITED.

UNLESS OTHERWISE SPECIFIED: DIMENSIONS ARE IN MILLIMETRES LINEAR TOLERANCE: NO DECIMAL PLACES ±0.5mm 1 DECIMAL PLACE ±0.25mm 2 DECIMAL PLACES ±0.125mm ANGULAR TOLERANCE: ±1°

FINISH PROFESSIONAL QUALITY CABLE SOCKET DEBURR AND BREAK SHARP EDGES

DRAWN BY SPB

APPROVED BY WC

THIRD ANGLE PROJECTION SHEET 1 OF 1

TITLE GENERAL SPECIFICATION MULTIPOLE CONNECTORS CABLE SOCKET



DEM Manufacturing, Deltron Emcon House Hargreaves Way, Sawcliffe Ind. Park, Scunthorpe, North Lincolnshire, DN15 8RF, UK

MATERIAL SEE NOTE



SCALE 1:1 A4

DRAWING NO. 700-704-708-712 3 WAY

ISSUE 07 Release