

A range of panel mounting audio and video connectors incorporating many innovative features, compatible with all leading manufacturer's cable plugs.

-Pressed socket contacts which 'float' to assist plug mating, also ensuring a positive 'wrap round' contact with the pin, which can 'move' with the pins should any movement occur between mating connectors.

-A simple press down, squeeze clip release mechanism makes it particularly easy to use.

-Generous solder buckets enable easier cable assembly as well as catering for larger conductor sizes.

-Available in satin nickel or black chrome finish.

Mechanical Properties
Housing

Zinc high pressure diecasting
satin nickel or black chrome

Contact base
Contacts
silver

Valox DR48, black
Phos bronze (pressed) 3 micron

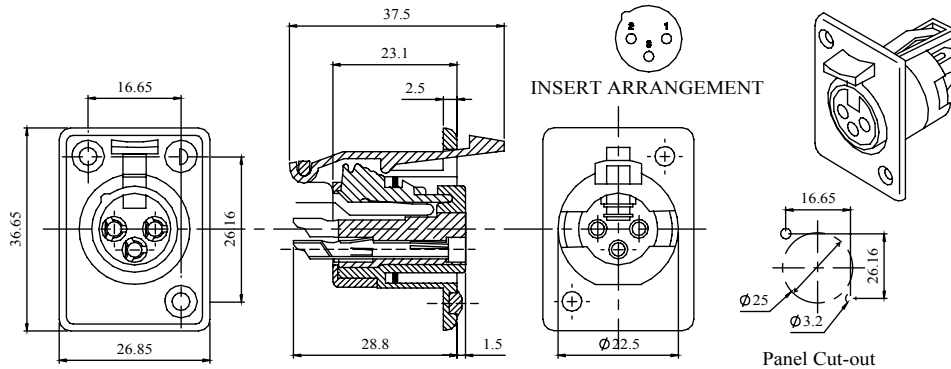
Collar
Latch

anti tarnish or 0.5 micron gold
Polypropylene, VIR222, black
Zinc high pressure diecasting
satin nickel or black chrome

Sealing ring
Screen

Santoprene (UL94HB)
Spring steel, 3 micron silver
anti tarnish

Dimensions



Electrical

Rated Voltage	50 V a.c.
Test Voltage	1000 V r.m.s.
Insulation Resistance	103 MΩ
After damp heat	500 MΩ
Contact Resistance	10 mΩ max
Current Rating at 40 deg C	3 pin - 15 amp 4 pin - 10 5 pin - 7.5 amp
Current Rating at 70 deg C	3 pin - 7.5 amp 4 pin - 5 5 pin - 3 amp
Terminal wire sizes	3 pin 2.5 mm ² / 14 AWG 4 pin 1.5 mm ² / 16 AWG 5 pin 1.0 mm ² / 18 AWG
Climatic	
Climatic category	25/070/04
Temperature Range	-25°C to +70°C
Damp heat, steady state	4 days



Deltron Part No	Silver Contacts		Gold Contacts	
	Nickel	Black	Nickel	Black
3-Way	702-0300	710-0300	706-0300	714-0300

Tel No. +44(0)1724 273200 Website www.dem-uk.com

PROPRIETARY AND CONFIDENTIAL
THE INFORMATION CONTAINED IN THIS DRAWING IS THE SOLE PROPERTY OF
ALPHA 3 MANUFACTURING.
ANY REPRODUCTION IN PART OR AS A WHOLE WITHOUT THE WRITTEN PERMISSION OF
ALPHA 3 MANUFACTURING IS PROHIBITED.

UNLESS OTHERWISE SPECIFIED:
DIMENSIONS ARE IN MILLIMETRES
LINEAR TOLERANCE:
NO DECIMAL PLACES ±0.5mm
1 DECIMAL PLACE ±0.25mm
2 DECIMAL PLACES ±0.125mm
ANGULAR TOLERANCE: ±1°



DEM Manufacturing, Deltron Emcon House
Hargreaves Way, Sawcliffe Ind. Park,
Scunthorpe, North Lincolnshire, DN15 8RF, UK

FINISH PROFESSIONAL QUALITY
PANEL SOCKET

DEBURR AND BREAK
SHARP EDGES

DRAWN BY
APPROVED BY

SPB
WC

TITLE GENERAL SPECIFICATION
MULTIPOLE CONNECTOR
PANEL SOCKET

IF IN DOUBT ASK
DO NOT SCALE DRAWING

THIRD ANGLE PROJECTION

SHEET 1 OF 1

DRAWING NO. 702-706-710-714

ISSUE 09
Release

MATERIAL SEE NOTE



SCALE 1:1
A4