

The 7000 Universal Range of Audio and Video Connectors employs many innovative features unique to the Deltron series. They are suitable for use in both commercial and industrial electronics applications, where reliability, simple operation and the elimination of RF and mechanical interference is necessary. Common uses include mixing desks, tape recorders, video recorders, DAT recorders and test instrumentation.

-Completely interchangeable with all leading manufacturers of XLRs.

**-HOUSING:** a rugged diecasting offering full RF protection, with a small industrial standard flange.

**-INSERT:** thermoplastic with high mechanical, thermal and electrical properties excellent chemical resistance, and dimensional stability.

**-CONTACTS:** precision machined in brass with generous solder buckets to accept a wide range of cable sizes.

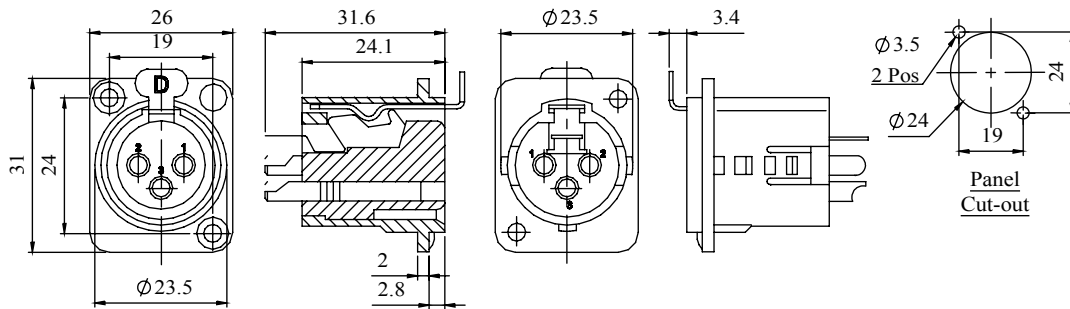
**-LATCHING:** a unique design with minimum press action offering the widest latching area for positive locking and straight through grounding.

- a short press action and compact design means minimum protrusion from the front panel.

**Mechanical Properties**

Housing	Zinc high pressure diecasting satin nickel or black chrome
Contact base	Valox DR48 (UL94 V-0)
Contacts	Brass, 3 microns silver anti-tarnish finish, or 0.5 microns gold plate
Push lever	Spring steel, nickel plate 3 microns silver plate
Earth tag	Spring steel, nickel plate 3 microns silver plate

**Dimensions**



Deltron Part No	Silver Contacts		Gold Contacts	
	Nickel	Black	Nickel	Black
3-Way	716-0300	718-0300	722-0300	724-0300
4-Way	716-0400	718-0400	722-0400	724-0400
5-Way	716-0500	718-0500	722-0500	724-0500



**Electrical**

Rated Voltage	50 V a.c.
Test Voltage	1000 V r.m.s.
Insulation Resistance	103 MΩ
After damp heat	500 MΩ
Contact Resistance	10 mΩ max
Current Rating at 40 deg C	3 pin - 15 amp 4 pin - 10 5 pin - 7.5 amp
Current Rating at 70 deg C	3 pin - 7.5 amp 4 pin - 5 5 pin - 3 amp
Terminal wire sizes	3 pin 2.5 mm <sup>2</sup> / 14 AWG 4 pin 1.5 mm <sup>2</sup> / 16 AWG 5 pin 1.0 mm <sup>2</sup> / 18 AWG

**Climatic**

Climatic category	25/070/04
Temperature Range	-25°C to +70°C
Damp heat, steady state	4 days

Tel No. +44(0)1724 273200 Website www.dem-uk.com

PROPRIETARY AND CONFIDENTIAL  
THE INFORMATION CONTAINED IN THIS DRAWING IS THE SOLE PROPERTY OF  
ALPHA 3 MANUFACTURING.  
ANY REPRODUCTION IN PART OR AS A WHOLE WITHOUT THE WRITTEN PERMISSION OF  
ALPHA 3 MANUFACTURING IS PROHIBITED.

UNLESS OTHERWISE SPECIFIED:  
DIMENSIONS ARE IN MILLIMETRES  
LINEAR TOLERANCE:  
NO DECIMAL PLACES ±0.5mm  
1 DECIMAL PLACE ±0.25mm  
2 DECIMAL PLACES ±0.125mm  
ANGULAR TOLERANCE: ±1°



DEM Manufacturing, Deltron Emcon House  
Hargreaves Way, Sawcliffe Ind. Park,  
Scunthorpe, North Lincolnshire, DN15 8RF, UK

FINISH	UNIVERSAL CHASSIS SOCKETS
	IF IN DOUBT ASK DO NOT SCALE DRAWING
MATERIAL	SEE NOTE

DEBURR AND BREAK SHARP EDGES	DRAWN BY	SPB
	APPROVED BY	WC
	THIRD ANGLE PROJECTION	SHEET 1 OF 1
		SCALE 1:1
		A4

TITLE	GENERAL SPECIFICATION MULTIPOLE CONNECTOR CHASSIS SOCKETS
DRAWING NO.	716-718-722-724
ISSUE	12
	Release