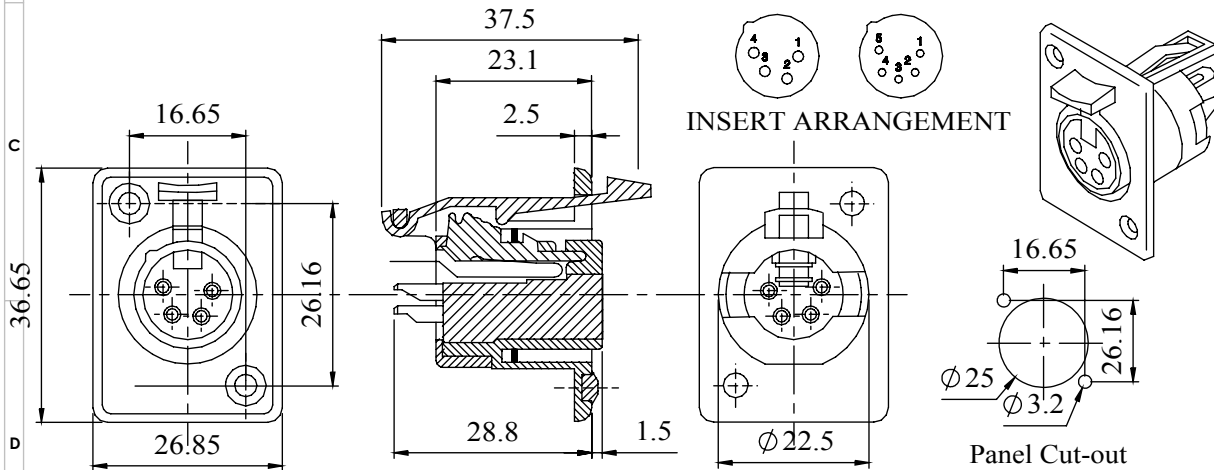


A range of panel mounting audio and video connectors incorporating many innovative features, compatible with all leading manufactures' cable plugs.  
 -a simple press down, squeeze clip release mechanism makes it particularly easy to use.  
 -generous solder buckets enable easier cable assembly as well as catering for larger conductor sizes.  
 -available in satin nickel or matt black finish, with either silver or gold plated contacts.

**Mechanical Properties**

Housing Zinc high pressure diecasting satin nickel or black chrome  
 Contact base Valox DR48  
 Contacts Brass, 3 microns silver anti-tarnish finish or 0.5 microns gold  
 Collar Polypropylene VIR 222 black  
 Latch Zinc high pressure diecasting  
 Chuck Acetal (UL 94 HB)  
 Screw collar Zinc high pressure diecasting satin nickel or black chrome  
 Screen Spring Steel, 3 microns silver anti-tarnish

**DIMENSIONS**



<b>Electrical</b>	
Rated Voltage	50 V a.c.
Test Voltage	1000 V r.m.s.
Insulation Resistance	103 MΩ
After damp heat	500 MΩ
Contact Resistance	10 mΩ max
Current Rating at 40 deg C	3 pin - 15 amp 4 pin - 10 5 pin - 7.5 amp
Current Rating at 70 deg C	3 pin - 7.5 amp 4 pin - 5 5 pin - 3 amp
Terminal wire sizes	3 pin 2.5 mm <sup>2</sup> / 14 AWG 4 pin 1.5 mm <sup>2</sup> / 16 AWG 5 pin 1.0 mm <sup>2</sup> / 18 AWG
Climatic	
Climatic category	25/070/04
Temperature Range	-25°C to +70°C
Damp heat, steady state	4 days

Deltron Part No	Silver Contacts		Gold Contacts	
	Nickel	Black	Nickel	Black
4-Way	702-0400	710-0400	706-0400	714-0400
5-Way	702-0500	710-0500	706-0500	714-0500



Tel No. +44(0)1724 273200 Website www.dem-uk.com



**PROPRIETARY AND CONFIDENTIAL**  
 THE INFORMATION CONTAINED IN THIS DRAWING IS THE SOLE PROPERTY OF ALPHA 3 MANUFACTURING.  
 ANY REPRODUCTION IN PART OR AS A WHOLE WITHOUT THE WRITTEN PERMISSION OF ALPHA 3 MANUFACTURING IS PROHIBITED.

DEM Manufacturing, Deltron Emcon House  
 Hargreaves Way, Sawcliffe Ind. Park,  
 Scunthorpe, North Lincolnshire, DN15 8RF, UK

UNLESS OTHERWISE SPECIFIED:  
 DIMENSIONS ARE IN MILLIMETRES  
 LINEAR TOLERANCE:  
**NO DECIMAL PLACES ±0.5mm**  
**1 DECIMAL PLACE ±0.25mm**  
**2 DECIMAL PLACES ±0.125mm**  
**ANGULAR TOLERANCE: ±1°**

FINISH PROFESSIONAL QUALITY PANEL SOCKET  
 IF IN DOUBT ASK DO NOT SCALE DRAWING  
 MATERIAL SEE NOTE

DEBURR AND BREAK SHARP EDGES  
 DRAWN BY SPB  
 APPROVED BY WC  
 THIRD ANGLE PROJECTION

TITLE GENERAL SPECIFICATION MULTIPOLE CONNECTOR PANEL SOCKET  
 SHEET 1 OF 1  
 SCALE 1:1  
 A4  
 DRAWING NO. 702-706-710-714 4&5WAY  
 ISSUE 07  
 Release