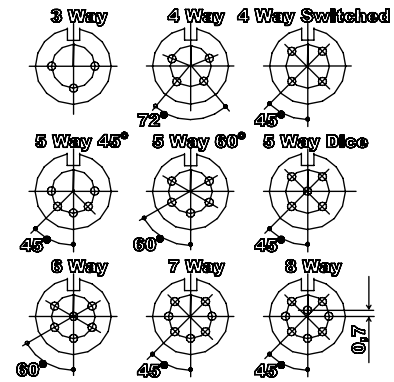
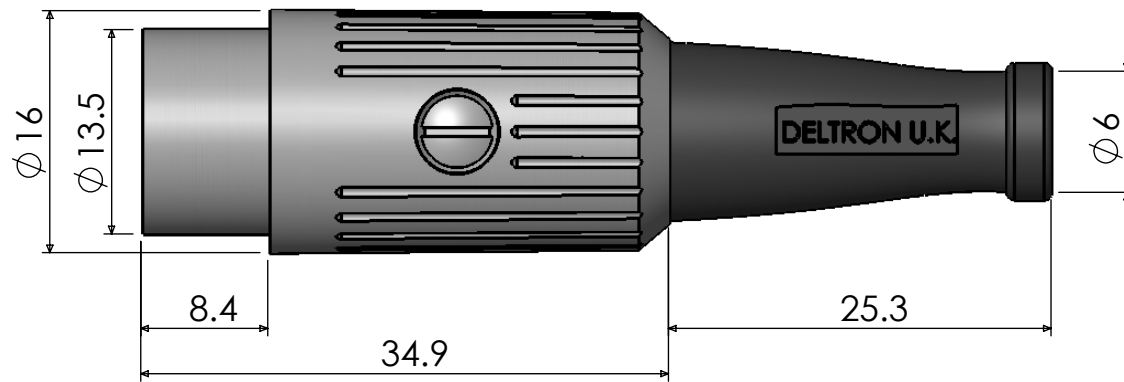


A fully screened robust range of DIN connectors for use in instrumentation and audio applications. Available in two finishes; bright nickel and non-reflective electrically conductive matt black. Robust construction incorporating cable grip and strain relief.

Manufactured to DIN 41 524, 45322, 45326, 45327 and 45329.

Dimensions



Materials	
Housing	Zinc Alloy
Moulding	Heavy Nickel Plated Over Copper
Contacts	Nylon
Cable Clamp	Brass Silver Plated
Grommet	Mild steel Zinc Plated
	Black P,V,C
Electrical	
Rated Voltage	34 V a.c. or d.c.
Current Rating	2.A
Test Voltage	500 V r.m.s.
Insulation Resistance	103 MΩ min at 100 V d.c
Contact Resistance	10 mΩ max
Capacitance (mated)	3pF
Climatic	
Climatic category	25/070/21
Temperature Range	-25°C to +70°C
Damp heat, steady state	21 days

Type	Deltron No
3 Way	610-0300
4 Way	610-0400
4 Way Switched	610-0410
5 Way 45°	610-0500
5 Way 60°	610-0510
5 Way Dice	610-0520
6 Way	610-0600
7 Way	610-0700
8 Way	610-0800

RoHS
2002/95/EC
Compliant

Tel No. +44(0)1724 273200 Website www.dem-uk.com

Alpha3 manufacturing

ROXBURGH EMC

DELTRON Components

DELTRON Enclosures

DEM

PROPRIETARY AND CONFIDENTIAL
THE INFORMATION CONTAINED IN THIS DRAWING IS THE SOLE PROPERTY OF ALPHA 3 MANUFACTURING.
ANY REPRODUCTION IN PART OR AS A WHOLE WITHOUT THE WRITTEN PERMISSION OF ALPHA 3 MANUFACTURING IS PROHIBITED.

DEM Manufacturing, Deltron Emcon House
Hargreaves Way, Sawcliffe Ind. Park,
Scunthorpe, North Lincolnshire, DN15 8RF, UK

UNLESS OTHERWISE SPECIFIED:
DIMENSIONS ARE IN MILLIMETRES
LINEAR TOLERANCE:
NO DECIMAL PLACES ±0.5mm
1 DECIMAL PLACE ±0.25mm
2 DECIMAL PLACES ±0.125mm
ANGULAR TOLERANCE: ±1°

FINISH SCREENED DIN CONNECTOR STANDARD
PLUG NICKEL

DEBURR AND BREAK SHARP EDGES

DRAWN BY SPB
APPROVED BY WC

THIRD ANGLE PROJECTION

MATERIAL SEE NOTE

SHEET 1 OF 1
SCALE 1:1
A4

TITLE GENERAL SPECIFICATION FOR 610 SERIES

DRAWING NO. 610 SERIES

ISSUE **06**
Release