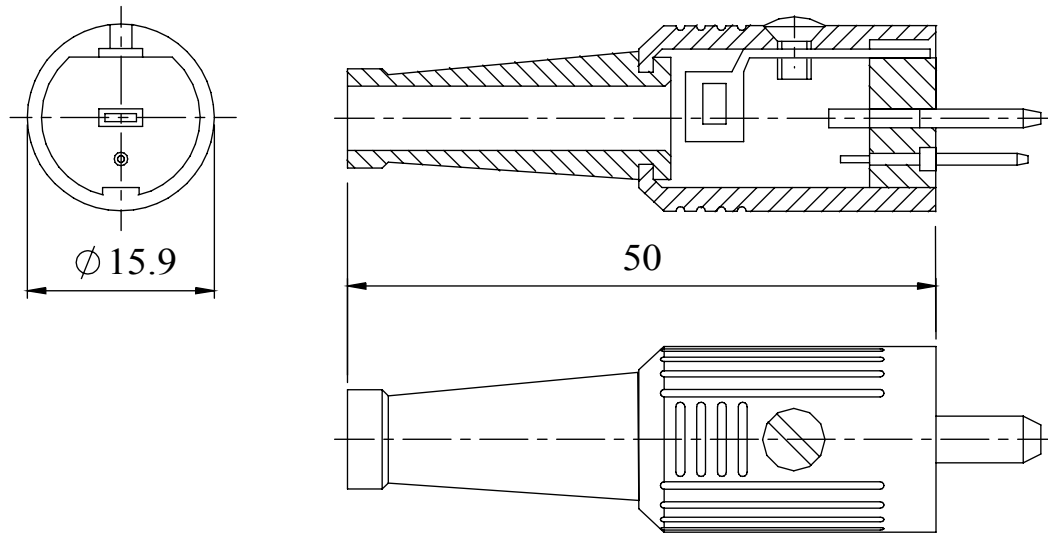


A standard non-latching, speaker, line plug connector, available in bright nickel finish. A lockable version is also available.

MATERIAL : Zinc Alloy, bright nickel
 HOUSING : Nylon
 PIN BASE : Brass, silver plate
 CONTACTS : Plated Mild Steel
 CABLE CLAMP : PVC, black

WORKING VOLTAGE : 34V
 TEST VOLTAGE : 1000 Vdc
 CURRENT RATING : 4 Amps
 INSULATION RESIST : $10^{11} \Omega$ min @ 100 Vdc
 CONTACT RESIST : 10m Ω max
 CAPACITY (mated) : 3 pF
 TEMP. RANGE : -25°C to +70°C

Dimensions



Tel No. +44(0)1724 273200 Website www.dem-uk.com

PROPRIETARY AND CONFIDENTIAL

THE INFORMATION CONTAINED IN THIS DRAWING IS THE SOLE PROPERTY OF ALPHA 3 MANUFACTURING. ANY REPRODUCTION IN PART OR AS A WHOLE WITHOUT THE WRITTEN PERMISSION OF ALPHA 3 MANUFACTURING IS PROHIBITED.

UNLESS OTHERWISE SPECIFIED:
 DIMENSIONS ARE IN MILLIMETRES
 LINEAR TOLERANCE:
 NO DECIMAL PLACES $\pm 0.5\text{mm}$
 1 DECIMAL PLACE $\pm 0.25\text{mm}$
 2 DECIMAL PLACES $\pm 0.125\text{mm}$
 ANGULAR TOLERANCE: $\pm 1^\circ$

DEM Manufacturing, Deltron Emcon House
 Hargreaves Way, Sawcliffe Ind. Park,
 Scunthorpe, North Lincolnshire, DN15 8RF, UK

FINISH	STANDARD	DEBURR AND BREAK SHARP EDGES
	-	
IF IN DOUBT ASK DO NOT SCALE DRAWING		
MATERIAL	SEE NOTE	

DRAWN BY	SPB
APPROVED BY	WC
THIRD ANGLE PROJECTION	SHEET 1 OF 1
	SCALE 1:1
	A4

TITLE	GENERAL SPECIFICATION 2 WAY SPEAKER LINE PLUG	
DRAWING NO.	622-0000	ISSUE 03
		Release

