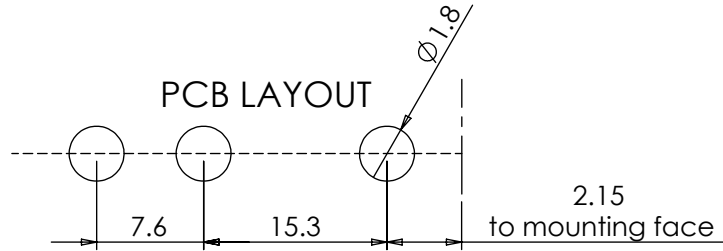
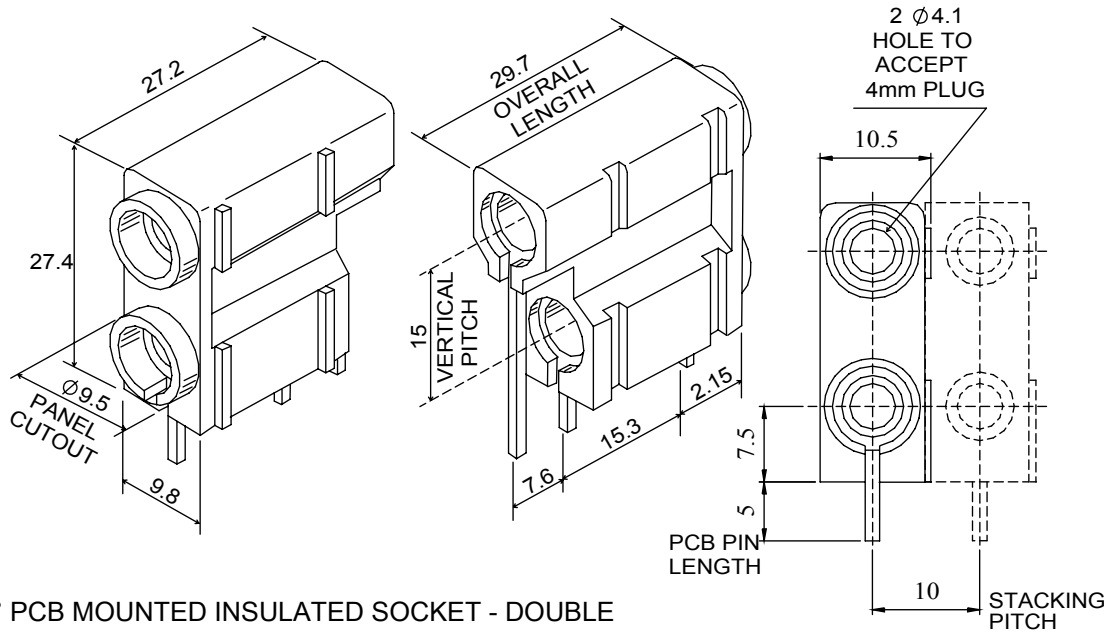


A double insulated 4mm socket, for direct mounting onto printed circuit boards. Has grooves in the outer acetal housing which provide side stacking alignment.



Dimensions



90° PCB MOUNTED INSULATED SOCKET - DOUBLE

## Product information and Ratings - 572 Range = 4mm PCB Double Socket

<b>Insulant</b>	Acetal-LG chemical LUCCEL N127-LD/DN127-LD	Acetal - C27021 R
<b>Pin</b>	Brass silver plate	Brass Micron Silver Plated Deltron Spec 09-001
<b>Bush</b>	Brass silver plate	Brass Micron Silver Plated Deltron Spec 10-001
<b>Amps</b>	10A	
<b>Nominal working Voltage</b>	250 V RMS	
<b>Contact Resistance</b>	10mΩ	
<b>Maximum Temperature RTI</b>	+ 110°C	
<b>Minimum temperature</b>	- 25°C	
<b>Recommended Temperature</b>	10A'@55°C	
<b>Voltage Breakdown</b>	5000v	
<b>Conductor size</b>	1.5mm <sup>2</sup>	
<b>Colours</b>	ORDER CODE	
<b>Black</b>	572-0100	
<b>Blue</b>	572-0200	
<b>Brown</b>	572-0300	
<b>Green</b>	572-0400	
<b>Red</b>	572-0500	
<b>White</b>	572-0600	
<b>Yellow</b>	572-0700	

Tel No. +44(0)1724 273200 Website www.dem-uk.com



PROPRIETARY AND CONFIDENTIAL  
THE INFORMATION CONTAINED IN THIS DRAWING IS THE SOLE PROPERTY OF  
ALPHA 3 MANUFACTURING.  
ANY REPRODUCTION IN PART OR AS A WHOLE WITHOUT THE WRITTEN PERMISSION OF  
ALPHA 3 MANUFACTURING IS PROHIBITED.

**DEM**

DEM Manufacturing, Deltron Emcon House  
Hargreaves Way, Sawcliffe Ind. Park,  
Scunthorpe, North Lincolnshire, DN15 8RF, UK

UNLESS OTHERWISE SPECIFIED:  
DIMENSIONS ARE IN MILLIMETRES  
LINEAR TOLERANCE:  
**NO DECIMAL PLACES ±0.5mm**  
**1 DECIMAL PLACE ±0.25mm**  
**2 DECIMAL PLACES ±0.125mm**  
**ANGULAR TOLERANCE: ±1°**

FINISH -  
DEBURR AND BREAK SHARP EDGES -  
IF IN DOUBT ASK  
DO NOT SCALE DRAWING

MATERIAL -

DRAWN BY SPB  
APPROVED BY WC  
THIRD ANGLE PROJECTION  
SHEET 1 OF 1  
SCALE 1:1  
A4

TITLE GENERAL SPECIFICATION  
FOR  
572 SERIES  
DRAWING NO. 572 SERIES  
ISSUE **07**  
Release