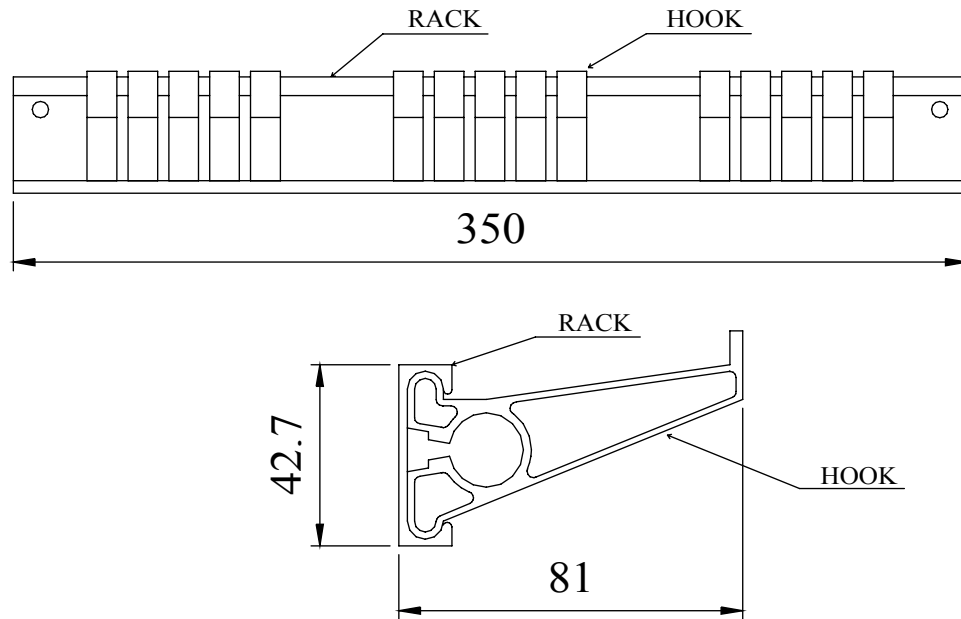


The rack is populated with fifteen clip-in hooks, which can be moved along to any position to suit 1/4" jacks, bantam jacks, XLR patch leads, or anything that needs hanging up in a tidy fashion.
 The rack is an extrusion, grey finish, and the hooks grey

Dimensions



MATERIALS

RACK : Aluminium Alloy extrusion
 GREY

HOOKS : GREY

SCREWS : No.8 x1 A2 stainless steel pozi
 C'sunk AB self tapper