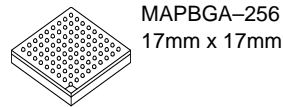
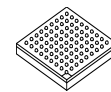




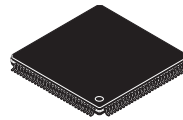
## MCF5373



MAPBGA-256  
17mm x 17mm



MAPBGA-196  
15mm x 15mm



QFP-160  
28mm x 28mm

# MCF537x ColdFire® Microprocessor Data Sheet

### Features

- Version 3 ColdFire variablelength RISC processor core
- System debug support
- JTAG support for system level board testing
- On-chip memories
  - 16-Kbyte unified write-back cache
  - 32-Kbyte dual-ported SRAM on CPU internal bus, accessible by core and non-core bus masters (e.g., DMA, FEC, and USB host and OTG)
- Power management
- Embedded Voice-over-IP (VoIP) system solution
- SDR/DDR SDRAM Controller
- Universal Serial Bus (USB) Host Controller
- Universal Serial Bus (USB) On-the-Go (OTG) controller
- Synchronous Serial Interface (SSI)
- Fast Ethernet Controller (FEC)
- Cryptography Hardware Accelerators
- FlexCAN Module
- Three Universal Asynchronous Receiver Transmitters (UARTs)
- I<sup>2</sup>C Module
- Queued Serial Peripheral Interface (QSPI)
- Pulse Width Modulation (PWM) module
- Real Time Clock
- Four 32-bit DMA Timers
- Software Watchdog Timer
- Four Periodic Interrupt Timers (PITs)
- Phase Locked Loop (PLL)
- Interrupt Controllers (x2)
- DMA Controller
- FlexBus (External Interface)
- Chip Configuration Module (CCM)
- Reset Controller
- General Purpose I/O interface

# Table of Contents

1	MCF537x Family Comparison	3	5.7.1	SDR SDRAM AC Timing Characteristics	21
2	Ordering Information	4	5.7.2	DDR SDRAM AC Timing Characteristics	23
3	Hardware Design Considerations	5	5.8	General Purpose I/O Timing	26
3.1	PLL Power Filtering	5	5.9	Reset and Configuration Override Timing	27
3.2	USB Power Filtering	5	5.10	USB On-The-Go	28
3.3	Supply Voltage Sequencing and Separation Cautions	5	5.11	SSI Timing Specifications	28
3.3.1	Power Up Sequence	5	5.12	I <sup>2</sup> C Input/Output Timing Specifications	29
3.3.2	Power Down Sequence	6	5.13	Fast Ethernet AC Timing Specifications	31
4	Pin Assignments and Reset States	6	5.13.1	MII Receive Signal Timing	31
4.1	Signal Multiplexing	6	5.13.2	MII Transmit Signal Timing	31
4.2	Pinout—196 MAPBGA	12	5.13.3	MII Async Inputs Signal Timing	32
4.3	Pinout—160 QFP	13	5.13.4	MII Serial Management Channel Timing	32
5	Electrical Characteristics	14	5.14	32-Bit Timer Module Timing Specifications	33
5.1	Maximum Ratings	14	5.15	QSPI Electrical Specifications	33
5.2	Thermal Characteristics	15	5.16	JTAG and Boundary Scan Timing	34
5.3	ESD Protection	16	5.17	Debug AC Timing Specifications	36
5.4	DC Electrical Specifications	16	6	Current Consumption	36
5.5	Oscillator and PLL Electrical Characteristics	17	7	Package Information	39
5.6	External Interface Timing Characteristics	18	7.1	Package Dimensions—196 MAPBGA	40
5.6.1	FlexBus	19	7.2	Package Dimensions—160 QFP	41
5.7	SDRAM Bus	21	8	Revision History	43

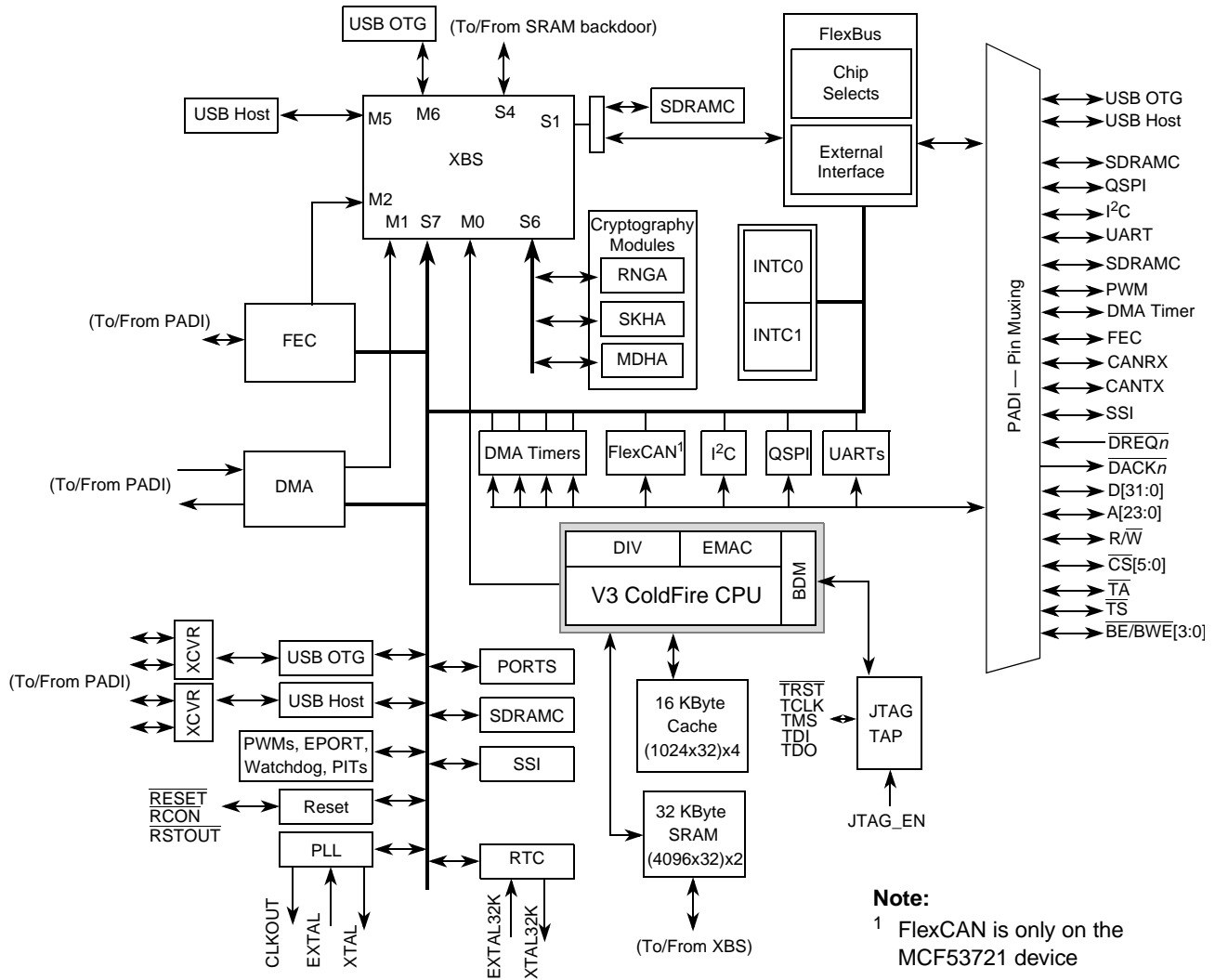


Figure 1. MCF5373 Block Diagram

# 1 MCF537x Family Comparison

The following table compares the various device derivatives available within the MCF537x family.

Table 1. MCF537x Family Configurations

Module	MCF5372	MCF5372L	MCF53721	MCF5373	MCF5373L
ColdFire Version 3 Core with EMAC (Enhanced Multiply-Accumulate Unit)	.	.	.	.	.
Core (System) Clock	up to 180 MHz	up to 240 MHz		up to 180 MHz	up to 240 MHz
Peripheral and External Bus Clock (Core clock ÷ 3)	up to 60 MHz	up to 80 MHz		up to 60 MHz	up to 80 MHz
Performance (Dhrystone/2.1 MIPS)	up to 158	up to 211		up to 158	up to 211
Instruction/Data Cache	16 Kbytes				

Because of an order from the United States International Trade Commission, BGA-packaged product lines and part numbers indicated here currently are not available from Freescale for import or sale in the United States prior to September 2010: MCF53721CVM240, MCF5372LCVM240, MCF5373LCVM240

Table 1. MCF537x Family Configurations (continued)

Module	MCF5372	MCF5372L	MCF53721	MCF5373	MCF5373L
Static RAM (SRAM)	32 Kbytes				
SDR/DDR SDRAM Controller	•	•	•	•	•
USB 2.0 Host	—	•	•	—	•
USB 2.0 On-the-Go	—	•	•	—	•
Synchronous Serial Interface (SSI)	•	•	•	•	•
Fast Ethernet Controller (FEC)	•	•	•	•	•
Cryptography Hardware Accelerators	—	—	—	•	•
Embedded Voice-over-IP System Solution	—	—	•	—	—
FlexCAN 2.0B communication module	—	—	•	—	—
UARTs	3	3	3	3	3
I <sup>2</sup> C	•	•	•	•	•
QSPI	•	•	•	•	•
PWM Module	—	•	•	—	•
Real Time Clock	•	•	•	•	•
32-bit DMA Timers	4	4	4	4	4
Watchdog Timer (WDT)	•	•	•	•	•
Periodic Interrupt Timers (PIT)	4	4	4	4	4
Edge Port Module (EPORT)	•	•	•	•	•
Interrupt Controllers (INTC)	2	2	2	2	2
16-channel Direct Memory Access (DMA)	•	•	•	•	•
FlexBus External Interface	•	•	•	•	•
General Purpose I/O (GPIO)	up to 46	up to 62	up to 62	up to 46	up to 62
JTAG - IEEE <sup>®</sup> 1149.1 Test Access Port	•	•	•	•	•
Package	160 QFP	196 MAPBGA	196 MAPBGA	160 QFP	196 MAPBGA

## 2 Ordering Information

Table 2. Orderable Part Numbers

Freescall Part Number	Description	Package	Speed	Temperature
MCF5372CAB180	MCF5372 RISC Microprocessor	160 QFP	180 MHz	-40° to +85° C
MCF5372LCVM240	MCF5372 RISC Microprocessor	196 MAPBGA	240 MHz	-40° to +85° C
MCF53721CVM240	MCF53721 RISC Microprocessor	196 MAPBGA	240 MHz	-40° to +85° C
MCF5373CAB180	MCF5373 RISC Microprocessor	160 QFP	180 MHz	-40° to +85° C
MCF5373LCVM240	MCF5373 RISC Microprocessor	196 MAPBGA	240 MHz	-40° to +85° C

## 3 Hardware Design Considerations

### 3.1 PLL Power Filtering

To further enhance noise isolation, an external filter is strongly recommended for PLL analog  $V_{DD}$  pins. The filter shown in Figure 2 should be connected between the board  $V_{DD}$  and the PLL $V_{DD}$  pins. The resistor and capacitors should be placed as close to the dedicated PLL $V_{DD}$  pin as possible.

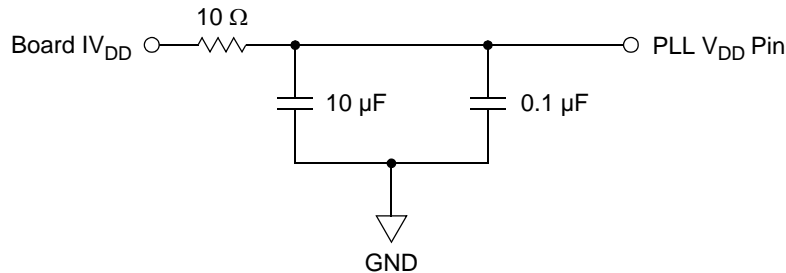


Figure 2. System PLL  $V_{DD}$  Power Filter

### 3.2 USB Power Filtering

To minimize noise, external filters are required for each of the USB power pins. The filter shown in Figure 3 should be connected between the board  $EV_{DD}$  or  $IV_{DD}$  and each of the USB $V_{DD}$  pins. The resistor and capacitors should be placed as close to the dedicated USB $V_{DD}$  pin as possible.

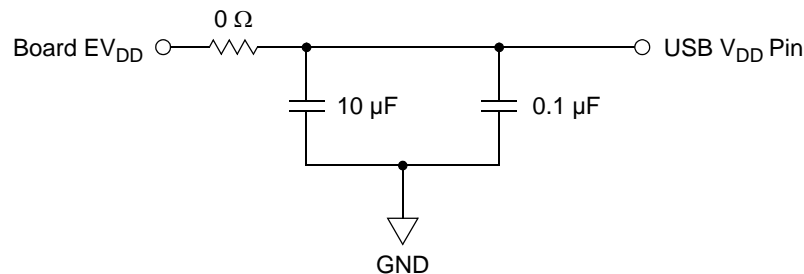


Figure 3. USB  $V_{DD}$  Power Filter

#### NOTE

In addition to the above filter circuitry, a 0.01 F capacitor is also recommended in parallel with those shown.

### 3.3 Supply Voltage Sequencing and Separation Cautions

The relationship between  $SDV_{DD}$  and  $EV_{DD}$  is non-critical during power-up and power-down sequences.  $SDV_{DD}$  (2.5V or 3.3V) and  $EV_{DD}$  are specified relative to  $IV_{DD}$ .

#### 3.3.1 Power Up Sequence

If  $EV_{DD}/SDV_{DD}$  are powered up with  $IV_{DD}$  at 0 V, the sense circuits in the I/O pads cause all pad output drivers connected to the  $EV_{DD}/SDV_{DD}$  to be in a high impedance state. There is no limit on how long after  $EV_{DD}/SDV_{DD}$  powers up before  $IV_{DD}$  must powered up.  $IV_{DD}$  should not lead the  $EV_{DD}$ ,  $SDV_{DD}$ , or PLL $V_{DD}$  by more than 0.4 V during power ramp-up or there is

high current in the internal ESD protection diodes. The rise times on the power supplies should be slower than 500 us to avoid turning on the internal ESD protection clamp diodes.

### 3.3.2 Power Down Sequence

If  $IV_{DD}/PLL_{V_{DD}}$  are powered down first, sense circuits in the I/O pads cause all output drivers to be in a high impedance state. There is no limit on how long after  $IV_{DD}$  and  $PLL_{V_{DD}}$  power down before  $EV_{DD}$  or  $SDV_{DD}$  must power down.  $IV_{DD}$  should not lag  $EV_{DD}$ ,  $SDV_{DD}$ , or  $PLL_{V_{DD}}$  going low by more than 0.4 V during power down or there is undesired high current in the ESD protection diodes. There are no requirements for the fall times of the power supplies.

The recommended power down sequence is as follows:

1. Drop  $IV_{DD}/PLL_{V_{DD}}$  to 0 V.
2. Drop  $EV_{DD}/SDV_{DD}$  supplies.

## 4 Pin Assignments and Reset States

### 4.1 Signal Multiplexing

The following table lists all the MCF537x pins grouped by function. The Dir column is the direction for the primary function of the pin only. Refer to Section 7, “Package Information,” for package diagrams. For a more detailed discussion of the MCF537x signals, consult the *MCF5373 Reference Manual* (MCF5373RM).

#### NOTE

In this table and throughout this document, a single signal within a group is designated without square brackets (i.e., A23), while designations for multiple signals within a group use brackets (i.e., A[23:21]) and is meant to include all signals within the two bracketed numbers when these numbers are separated by a colon.

#### NOTE

The primary functionality of a pin is not necessarily its default functionality. Pins that are muxed with GPIO default to their GPIO functionality.

**Table 3. MCF5372/3 Signal Information and Muxing**

Signal Name	GPIO	Alternate 1	Alternate 2	Dir. <sup>1</sup>	Voltage Domain	MCF5372 MCF5373 160 QFP	MCF5372L MCF53721 MCF5373L 196 MAPBGA
<b>Reset</b>							
$\overline{\text{RESET}}^2$	—	—	—	I	EVDD	95	K13
$\overline{\text{RSTOUT}}$	—	—	—	O	EVDD	86	L12
<b>Clock</b>							
EXTAL	—	—	—	I	EVDD	91	L14
XTAL <sup>2</sup>	—	—	—	O	EVDD	93	K14
EXTAL32K	—	—	—	I	EVDD	—	P13
XTAL32K	—	—	—	O	EVDD	—	N13
FB_CLK	—	—	—	O	SDVDD	40	N1

Table 3. MCF5372/3 Signal Information and Muxing (continued)

Signal Name	GPIO	Alternate 1	Alternate 2	Dir. <sup>1</sup>	Voltage Domain	MCF5372 MCF5373 160 QFP	MCF5372L MCF53721 MCF5373L 196 MAPBGA
<b>Mode Selection</b>							
$\overline{RCON}^2$	—	—	—	I	EVDD	72	P8
DRAMSEL	—	—	—	I	EVDD	92	J11
<b>FlexBus</b>							
A[23:22]	—	$\overline{FB\_CS}[5:4]$	—	O	SDVDD	134, 133	A9, B9
A[21:16]	—	—	—	O	SDVDD	132–127	C9, D9, A10, B10, C10, D10
A[15:14]	—	SD_BA[1:0] <sup>3</sup>	—	O	SDVDD	126, 123	A11, B11
A[13:11]	—	SD_A[13:11] <sup>3</sup>	—	O	SDVDD	120–118	C11, A12, B12
A10	—	—	—	O	SDVDD	11 7	A13
A[9:0]	—	SD_A[9:0] <sup>3</sup>	—	O	SDVDD	116–107	A14, B14, B13, C12, D11, C14, C13, D14–D12
D[31:16]	—	SD_D[31:16] <sup>4</sup>	—	I/O	SDVDD	27–34, 46–53	J2, J1, K4–K1, L4, L3, N2, P1, P2, N3, L5, P3, N4, P4
D[15:1]	—	FB_D[31:17] <sup>4</sup>	—	I/O	SDVDD	16–23, 57–63	F2, F1, G4–G1, H4, H3, L6, M6, N6, P6, L7, M7, N7
D0 <sup>2</sup>	—	FB_D[16] <sup>4</sup>	—	I/O	SDVDD	64	P7
$\overline{BE/BWE}[3:0]$	PBE[3:0]	$\overline{SD\_DQM}[3:0]^3$	—	O	SDVDD	26, 54, 24, 56	J3, M5, H2, P5
$\overline{OE}$	PBUSCTL3	—	—	O	SDVDD	66	M8
$\overline{TA}^2$	PBUSCTL2	—	—	I	SDVDD	106	E14
R/W	PBUSCTL1	—	—	O	SDVDD	65	L8
$\overline{TS}$	PBUSCTL0	$\overline{DACK0}$	—	O	SDVDD	12	E2
<b>Chip Selects</b>							
$\overline{FB\_CS}[5:4]$	PCS[5:4]	—	—	O	SDVDD	—	D8, C8
$\overline{FB\_CS}[3:2]$	PCS[3:2]	—	—	O	SDVDD	—	B8, A8
$\overline{FB\_CS}1$	PCS1	—	—	O	SDVDD	135	D7
$\overline{FB\_CS}0$	—	—	—	O	SDVDD	136	C7
<b>SDRAM Controller</b>							
SD_A10	—	—	—	O	SDVDD	43	M2
SD_CKE	—	—	—	O	SDVDD	14	F4

Table 3. MCF5372/3 Signal Information and Muxing (continued)

Signal Name	GPIO	Alternate 1	Alternate 2	Dir. <sup>1</sup>	Voltage Domain	MCF5372 MCF5373 160 QFP	MCF5372L MCF53721 MCF5373L 196 MAPBGA
SD_CLK	—	—	—	O	SDVDD	37	L1
$\overline{\text{SD\_CLK}}$	—	—	—	O	SDVDD	38	M1
$\overline{\text{SD\_CS0}}$	—	—	—	O	SDVDD	15	F3
SD_DQS3	—	—	—	O	SDVDD	25	H1
SD_DQS2	—	—	—	O	SDVDD	55	N5
$\overline{\text{SD\_SCAS}}$	—	—	—	O	SDVDD	44	M3
$\overline{\text{SD\_SRAS}}$	—	—	—	O	SDVDD	45	M4
SD_SDR_DQS	—	—	—	O	SDVDD	35	L2
$\overline{\text{SD\_WE}}$	—	—	—	O	SDVDD	13	E1
<b>External Interrupts Port<sup>5</sup></b>							
$\overline{\text{IRQ7}}^2$	PIRQ7 <sup>2</sup>	—	—	I	EVDD	102	F13
$\overline{\text{IRQ6}}^2$	PIRQ6 <sup>2</sup>	USBHOST_ VBUS_EN	—	I	EVDD	—	F12
$\overline{\text{IRQ5}}^2$	PIRQ5 <sup>2</sup>	USBHOST_ VBUS_OC	—	I	EVDD	—	F11
$\overline{\text{IRQ4}}^2$	PIRQ4 <sup>2</sup>	SSI_MCLK	—	I	EVDD	101	G14
$\overline{\text{IRQ3}}^2$	PIRQ3 <sup>2</sup>	—	—	I	EVDD	—	G13
$\overline{\text{IRQ2}}^2$	PIRQ2 <sup>2</sup>	USB_CLKIN	—	I	EVDD	—	G12
$\overline{\text{IRQ1}}^2$	PIRQ1 <sup>2</sup>	$\overline{\text{DREQ1}}^2$	SSI_CLKIN	I	EVDD	100	G11
<b>FEC</b>							
FEC_MDC	PFECI2C3	I2C_SCL <sup>2</sup>	—	O	EVDD	4	B1
FEC_MDIO	PFECI2C2	I2C_SDA <sup>2</sup>	—	I/O	EVDD	3	A1
FEC_COL	PFECH7	—	—	I	EVDD	144	B6
FEC_CRD	PFECH6	—	—	I	EVDD	145	A6
FEC_RXCLK	PFECH5	—	—	I	EVDD	146	A5
FEC_RXDV	PFECH4	—	—	I	EVDD	147	B5
FEC_RXD[3:0]	PFECH[3:0]	—	—	I	EVDD	148–151	C5, D5, A4, B4
FEC_RXER	PFECL7	—	—	I	EVDD	152	C4
FEC_TXCLK	PFECL6	—	—	I	EVDD	153	A3
FEC_TXEN	PFECL5	—	—	O	EVDD	154	B3
FEC_TXER	PFECL4	—	—	O	EVDD	155	A2
FEC_TXD[3:0]	PFECL[3:0]	—	—	O	EVDD	157, 158, 1, 2	D4, C3, B2, C2



Table 3. MCF5372/3 Signal Information and Muxing (continued)

Signal Name	GPIO	Alternate 1	Alternate 2	Dir. <sup>1</sup>	Voltage Domain	MCF5372 MCF5373 160 QFP	MCF5372L MCF53721 MCF5373L 196 MAPBGA
<b>USB Host &amp; USB On-the-Go</b>							
USBOTG_M	—	—	—	I/O	USB VDD	—	H14
USBOTG_P	—	—	—	I/O	USB VDD	—	H13
USBHOST_M	—	—	—	I/O	USB VDD	—	J13
USBHOST_P	—	—	—	I/O	USB VDD	—	J12
<b>FlexCAN (MCF53721 only)</b>							
CANRX and CANTX do not have dedicated bond pads. Please refer to the following pins for muxing: I2C_SDA for CANRX and I2C_SCL for CANTX.							
<b>PWM</b>							
PWM7	PPWM7	—	—	I/O	EVDD	—	E13
PWM5	PPWM5	—	—	I/O	EVDD	—	E12
PWM3	PPWM3	DT3OUT	DT3IN	I/O	EVDD	—	E11
PWM1	PPWM1	DT2OUT	DT2IN	I/O	EVDD	—	F14
<b>SSI</b>							
The SSI signals do not have dedicated bond pads. Please refer to the following pins for muxing: $\overline{IRQ4}$ for SSI_MCLK, $\overline{IRQ1}$ for SSI_CLKIN, $\overline{U1CTS}$ for SSI_BCLK, $\overline{U1RTS}$ for SSI_FS, U1RXD for SSI_RXD, and U1TXD for SSI_TXD							
<b>I<sup>2</sup>C</b>							
I2C_SCL <sup>2</sup>	PFECI2C1	CANTX <sup>6</sup>	U2TXD	I/O	EVDD	—	E3
I2C_SDA <sup>2</sup>	PFECI2C0	CANRX <sup>6</sup>	U2RXD	I/O	EVDD	—	E4
<b>DMA</b>							
$\overline{DACK[1:0]}$ and $\overline{DREQ[1:0]}$ do not have dedicated bond pads. Please refer to the following pins for muxing: $\overline{TS}$ for $\overline{DACK0}$ , DT0IN for $\overline{DREQ0}$ , DT1IN for $\overline{DACK1}$ , and $\overline{IRQ1}$ for $\overline{DREQ1}$ .							
<b>QSPI</b>							
QSPI_CS2	PQSPI5	$\overline{U2RTS}$	—	O	EVDD	78	N12
QSPI_CS1	PQSPI4	PWM7	USBOTG_PU_EN	O	EVDD	—	M12
QSPI_CS0	PQSPI3	PWM5	—	O	EVDD	—	M11
QSPI_CLK	PQSPI2	I2C_SCL <sup>2</sup>	—	O	EVDD	77	P12
QSPI_DIN	PQSPI1	$\overline{U2CTS}$	—	I	EVDD	75	P11
QSPI_DOUT	PQSPI0	I2C_SDA <sup>2</sup>	—	O	EVDD	76	N11

Table 3. MCF5372/3 Signal Information and Muxing (continued)

Signal Name	GPIO	Alternate 1	Alternate 2	Dir. <sup>1</sup>	Voltage Domain	MCF5372 MCF5373 160 QFP	MCF5372L MCF53721 MCF5373L 196 MAPBGA
<b>UARTs</b>							
$\overline{U1CTS}$	PUARTL7	SSI_BCLK	—	I	EVDD	143	C6
$\overline{U1RTS}$	PUARTL6	SSI_FS	—	O	EVDD	142	D6
U1TXD	PUARTL5	SSI_TXD <sup>2</sup>	—	O	EVDD	141	A7
U1RXD	PUARTL4	SSI_RXD <sup>2</sup>	—	I	EVDD	140	B7
$\overline{U0CTS}$	PUARTL3	—	—	I	EVDD	85	M14
$\overline{U0RTS}$	PUARTL2	—	—	O	EVDD	84	M13
U0TXD	PUARTL1	—	—	O	EVDD	83	N14
U0RXD	PUARTL0	—	—	I	EVDD	80	P14
<b>Note:</b> The UART2 signals are multiplexed on the QSPI, DMA Timers, and I2C pins.							
<b>DMA Timers</b>							
DT3IN	PTIMER3	DT3OUT	U2RXD	I	EVDD	8	D1
DT2IN	PTIMER2	DT2OUT	U2TXD	I	EVDD	7	C1
DT1IN	PTIMER1	DT1OUT	$\overline{DACK1}$	I	EVDD	6	D2
DT0IN	PTIMER0	DT0OUT	$\overline{DREQ0}^2$	I	EVDD	5	D3
<b>BDM/JTAG<sup>7</sup></b>							
JTAG_EN <sup>8</sup>	—	—	—	I	EVDD	96	G10
DSCLK	—	$\overline{TRST}^2$	—	I	EVDD	88	K11
PSTCLK	—	TCLK <sup>2</sup>	—	O	EVDD	70	N8
$\overline{BKPT}$	—	TMS <sup>2</sup>	—	I	EVDD	87	L13
DSI	—	TDI <sup>2</sup>	—	I	EVDD	90	K12
DSO	—	TDO	—	O	EVDD	74	L11
DDATA[3:0]	—	—	—	O	EVDD	—	L9, M9, N9, P9
PST[3:0]	—	—	—	O	EVDD	—	L10, M10, N10, P10
ALLPST	—	—	—	O	EVDD	73	—

Table 3. MCF5372/3 Signal Information and Muxing (continued)

Signal Name	GPIO	Alternate 1	Alternate 2	Dir. <sup>1</sup>	Voltage Domain	MCF5372 MCF5373 160 QFP	MCF5372L MCF53721 MCF5373L 196 MAPBGA
<b>Test</b>							
TEST <sup>8</sup>	—	—	—	I	EVDD	124	E10
<b>Power Supplies</b>							
EVDD	—	—	—	—	—	9, 69, 71, 81, 94, 103, 139, 160	E6, E7, F5–F7, G5, H10, J8, K8–K9
IVDD	—	—	—	—	—	36, 79, 97, 125, 156	E5, J9, K5, K10
PLL_VDD	—	—	—	—	—	99	J10
SD_VDD	—	—	—	—	—	11, 39, 41, 67, 105, 121, 137	E8–E9, F8–F10, J4–J7, H5, K6, K7
USB_VDD	—	—	—	—	—	—	H12
VSS	—	—	—	—	—	10, 42, 68, 82, 89, 104, 122, 138, 159	G6–G9, H6–H9
PLL_VSS	—	—	—	—	—	98	H11
USB_VSS	—	—	—	—	—	—	J14

<sup>1</sup> Refers to pin's primary function.

<sup>2</sup> Pull-up enabled internally on this signal for this mode.

<sup>3</sup> The SDRAM functions of these signals are not programmable by the user. They are dynamically switched by the processor when accessing SDRAM memory space and are included here for completeness.

<sup>4</sup> Primary functionality selected by asserting the DRAMSEL signal (SDR mode). Alternate functionality selected by negating the DRAMSEL signal (DDR mode). The GPIO module is not responsible for assigning these pins.

<sup>5</sup> GPIO functionality is determined by the edge port module. The GPIO module is only responsible for assigning the alternate functions.

<sup>6</sup> MCF53721 only.

<sup>7</sup> If JTAG\_EN is asserted, these pins default to Alternate 1 (JTAG) functionality. The GPIO module is not responsible for assigning these pins.

<sup>8</sup> Pull-down enabled internally on this signal for this mode.

## NOTE

## 4.2 Pinout—196 MAPBGA

The pinout for the MCF5373LCVM240, MCF5372LCVM240, and MCF53721CVM240 packages are shown below.

	1	2	3	4	5	6	7	8	9	10	11	12	13	14	
A	FEC_MDIO	FEC_TXER	FEC_TXCLK	FEC_RXD1	FEC_RXCLK	FEC_CRS	U1TXD	$\overline{\text{FB\_CS2}}$	A23	A19	A15	A12	A10	A9	A
B	FEC_MDC	FEC_TXD1	FEC_TXEN	FEC_RXD0	FEC_RXDV	FEC_COL	U1RXD	$\overline{\text{FB\_CS3}}$	A22/	A18	A14	A11	A7	A8	B
C	DT2IN	FEC_TXD0	FEC_TXD2	FEC_RXER	FEC_RXD3	$\overline{\text{U1CTS}}$	$\overline{\text{FB\_CS0}}$	$\overline{\text{FB\_CS4}}$	A21	A17	A13	A6	A3	A4	C
D	DT3IN	DT1IN	DT0IN	FEC_TXD3	FEC_RXD2	$\overline{\text{U1RTS}}$	$\overline{\text{FB\_CS1}}$	$\overline{\text{FB\_CS5}}$	A20	A16	A5	A0	A1	A2	D
E	$\overline{\text{SD\_WE}}$	$\overline{\text{TS}}$	I2C_SCL	I2C_SDA	IVDD	EVDD	EVDD	SD_VDD	SD_VDD	TEST	PWM3	PWM5	PWM7	$\overline{\text{TA}}$	E
F	D14	D15	$\overline{\text{SD\_CS0}}$	SD_CKE	EVDD	EVDD	EVDD	SD_VDD	SD_VDD	SD_VDD	$\overline{\text{IRQ5}}$	$\overline{\text{IRQ6}}$	$\overline{\text{IRQ7}}$	PWM1	F
G	D10	D11	D12	D13	EVDD	VSS	VSS	VSS	VSS	JTAG_EN	$\overline{\text{IRQ1}}$	$\overline{\text{IRQ2}}$	$\overline{\text{IRQ3}}$	$\overline{\text{IRQ4}}$	G
H	SD_DQS3	$\overline{\text{BE/BWE1}}$	D8	D9	SD_VDD	VSS	VSS	VSS	VSS	EVDD	PLL_VSS	USBOTG_VDD	USB_OTG_P	USB_OTG_M	H
J	D30	D31	$\overline{\text{BE/BWE3}}$	SD_VDD	SD_VDD	SD_VDD	SD_VDD	EVDD	IVDD	PLL_VDD	DRAM_SEL	USB_HOST_P	USB_HOST_M	USBHOST_VSS	J
K	D26	D27	D28	D29	IVDD	SD_VDD	SD_VDD	EVDD	EVDD	IVDD	$\overline{\text{TRST/DSCLK}}$	TDI/DSI	$\overline{\text{RESET}}$	XTAL	K
L	SD_CLK	SD_DR_DQS	D24	D25	D19	D7	D3	R/W	DDATA3	PST3	TDO/DSO	$\overline{\text{RSTOUT}}$	TMS/BKPT	EXTAL	L
M	$\overline{\text{SD\_CLK}}$	SD_A10	$\overline{\text{SD\_CAS}}$	$\overline{\text{SD\_RAS}}$	$\overline{\text{BE/BWE2}}$	D6	D2	$\overline{\text{OE}}$	DDATA2	PST2	QSPI_CS0	QSPI_CS1	$\overline{\text{U0RTS}}$	$\overline{\text{U0CTS}}$	M
N	FB_CLK	D23	D20	D17	SD_DQS2	D5	D1	TCLK/PSTCLK	DDATA1	PST1	QSPI_DOUT	QSPI_CS2	XTAL 32K	U0TXD	N
P	D22	D21	D18	D16	$\overline{\text{BE/BWE0}}$	D4	D0	$\overline{\text{RCON}}$	DDATA0	PST0	QSPI_DIN	QSPI_CLK	EXTAL 32K	U0RXD	P
	1	2	3	4	5	6	7	8	9	10	11	12	13	14	

Figure 4. MCF5373LCVM240, MCF5372LCVM240, and MCF53721CVM240 Pinout Top View (196 MAPBGA)

Because of an order from the United States International Trade Commission, BGA-packaged product lines and part numbers indicated here currently are not available from Freescale for import or sale in the United States prior to September 2010: MCF53721CVM240, MCF5372LCVM240, MCF5373LCVM240

### 4.3 Pinout—160 QFP

The pinout for the MCF5372CAB180 and MCF5373CAB180 packages is shown below.

1	EVDD	160
2	VSS	159
3	FEC_TXD2	158
4	FEC_TXD3	157
5	IVDD	156
6	FEC_TXER	155
7	FEC_TXEN	154
8	FEC_TXCLK	153
9	FEC_RXER	152
10	FEC_RXD0	151
11	FEC_RXD1	150
12	FEC_RXD2	149
13	FEC_RXD3	148
14	FEC_RXDV	147
15	FEC_RXCLK	146
16	FEC_CRS	145
17	FEC_COL	144
18	U1CTS	143
19	U1RTS	142
20	U1TXD	141
21	U1RXD	140
22	EVDD	139
23	VSS	138
24	SD_VDD	137
25	FB_CS0	136
26	FB_CS1	135
27	A23/FB_CS5	134
28	A22/FB_CS4	133
29	A21	132
30	A20	131
31	A19	130
32	A18	129
33	A17	128
34	A16	127
35	A15	126
36	IVDD	125
37	TEST	124
38	A14	123
39	VSS	122
40	SD_VDD	121
1	A13	120
2	A12	119
3	A11	118
4	A10	117
5	A9	116
6	A8	115
7	A7	114
8	A6	113
9	A5	112
10	A4	111
11	A3	110
12	A2	109
13	A1	108
14	A0	107
15	TA	106
16	SD_VDD	105
17	VSS	104
18	EVDD	103
19	IRQ7	102
20	IRQ4	101
21	IRQ1	100
22	PLL_VDD	99
23	PLL_VSS	98
24	IVDD	97
25	JTAG_EN	96
26	RESET	95
27	EVDD	94
28	XTAL	93
29	DRAMSEL	92
30	EXTAL	91
31	TDI/DSI	90
32	VSS	89
33	TRST/DSCLK	88
34	TMS/BKPT	87
35	RSTOUT	86
36	U0CTS	85
37	U0RTS	84
38	U0TXD	83
39	VSS	82
40	EVDD	81
41	SD_VDD	41
42	VSS	42
43	SD_A10	43
44	SD_CAS	44
45	SD_RAS	45
46	D23	46
47	D22	47
48	D21	48
49	D20	49
50	D19	50
51	D18	51
52	D17	52
53	D16	53
54	BE/BWE2	54
55	SD_DQS0/2	55
56	BE/BWE0	56
57	D7	57
58	D6	58
59	D5	59
60	D4	60
61	D3	61
62	D2	62
63	D1	63
64	D0	64
65	RW	65
66	OE	66
67	SD_VDD	67
68	VSS	68
69	EVDD	69
70	TCLK/PSTCLK	70
71	EVDD	71
72	RCON	72
73	ALL_PST	73
74	TDO/DSO	74
75	QSPI_DIN	75
76	QSPI_DOUT	76
77	QSPI_CLK	77
78	QSPI_CS2	78
79	IVDD	79
80	U0RXD	80

Figure 5. MCF5372CAB180 and MCF5373CAB180 Pinout Top View (160 QFP)

## 5 Electrical Characteristics

This document contains electrical specification tables and reference timing diagrams for the MCF5373 microcontroller unit. This section contains detailed information on power considerations, DC/AC electrical characteristics, and AC timing specifications of MCF5373.

The electrical specifications are preliminary and are from previous designs or design simulations. These specifications may not be fully tested or guaranteed at this early stage of the product life cycle. However, for production silicon, these specifications will be met. Finalized specifications will be published after complete characterization and device qualifications have been completed.

### NOTE

The parameters specified in this MCU document supersede any values found in the module specifications.

### 5.1 Maximum Ratings

Table 4. Absolute Maximum Ratings<sup>1, 2</sup>

Rating	Symbol	Value	Unit
Core Supply Voltage	$IV_{DD}$	- 0.5 to +2.0	V
CMOS Pad Supply Voltage	$EV_{DD}$	- 0.3 to +4.0	V
DDR/Memory Pad Supply Voltage	$SDV_{DD}$	- 0.3 to +4.0	V
PLL Supply Voltage	$PLL_{V_{DD}}$	- 0.3 to +2.0	V
Digital Input Voltage <sup>3</sup>	$V_{IN}$	- 0.3 to +3.6	V
Instantaneous Maximum Current Single pin limit (applies to all pins) <sup>3, 4, 5</sup>	$I_D$	25	mA
Operating Temperature Range (Packaged)	$T_A$ ( $T_L - T_H$ )	- 40 to +85	°C
Storage Temperature Range	$T_{stg}$	- 55 to +150	°C

<sup>1</sup> Functional operating conditions are given in [Section 5.4, "DC Electrical Specifications."](#) Absolute maximum ratings are stress ratings only, and functional operation at the maxima is not guaranteed. Continued operation at these levels may affect device reliability or cause permanent damage to the device.

<sup>2</sup> This device contains circuitry protecting against damage due to high static voltage or electrical fields; however, it is advised that normal precautions be taken to avoid application of any voltages higher than maximum-rated voltages to this high-impedance circuit. Reliability of operation is enhanced if unused inputs are tied to an appropriate logic voltage level ( $V_{SS}$  or  $EV_{DD}$ ).

<sup>3</sup> Input must be current limited to the value specified. To determine the value of the required current-limiting resistor, calculate resistance values for positive and negative clamp voltages, and then use the larger of the two values.

<sup>4</sup> All functional non-supply pins are internally clamped to  $V_{SS}$  and  $EV_{DD}$ .

<sup>5</sup> Power supply must maintain regulation within operating  $EV_{DD}$  range during instantaneous and operating maximum current conditions. If positive injection current ( $V_{in} > EV_{DD}$ ) is greater than  $I_D$ , the injection current may flow out of  $EV_{DD}$  and could result in external power supply going out of regulation. Ensure external  $EV_{DD}$  load shunts current greater than maximum injection current. This is the greatest risk when the MCU is not consuming power (ex; no clock). Power supply must maintain regulation within operating  $EV_{DD}$  range during instantaneous and operating maximum current conditions.

## 5.2 Thermal Characteristics

Table 5. Thermal Characteristics

Characteristic		Symbol	256MBGA	196MBGA	160QFP	Unit
Junction to ambient, natural convection	Four layer board (2s2p)	$\theta_{JMA}$	37 <sup>1,2</sup>	42 <sup>1,2</sup>	49 <sup>1,2</sup>	°C/W
Junction to ambient (@200 ft/min)	Four layer board (2s2p)	$\theta_{JMA}$	34 <sup>1,2</sup>	38 <sup>1,2</sup>	44 <sup>1,2</sup>	°C/W
Junction to board		$\theta_{JB}$	27 <sup>3</sup>	32 <sup>3</sup>	40 <sup>3</sup>	°C/W
Junction to case		$\theta_{JC}$	16 <sup>4</sup>	19 <sup>4</sup>	39 <sup>4</sup>	°C/W
Junction to top of package		$\Psi_{jt}$	4 <sup>1,5</sup>	5 <sup>1,5</sup>	12 <sup>1,5</sup>	°C/W
Maximum operating junction temperature		$T_j$	105	105	105	°C

<sup>1</sup>  $\theta_{JMA}$  and  $\Psi_{jt}$  parameters are simulated in conformance with EIA/JESD Standard 51-2 for natural convection. Freescale recommends the use of  $\theta_{JMA}$  and power dissipation specifications in the system design to prevent device junction temperatures from exceeding the rated specification. System designers should be aware that device junction temperatures can be significantly influenced by board layout and surrounding devices. Conformance to the device junction temperature specification can be verified by physical measurement in the customer's system using the  $\Psi_{jt}$  parameter, the device power dissipation, and the method described in EIA/JESD Standard 51-2.

<sup>2</sup> Per JEDEC JESD51-6 with the board horizontal.

<sup>3</sup> Thermal resistance between the die and the printed circuit board in conformance with JEDEC JESD51-8. Board temperature is measured on the top surface of the board near the package.

<sup>4</sup> Thermal resistance between the die and the case top surface as measured by the cold plate method (MIL SPEC-883 Method 1012.1).

<sup>5</sup> Thermal characterization parameter indicating the temperature difference between package top and the junction temperature per JEDEC JESD51-2. When Greek letters are not available, the thermal characterization parameter is written in conformance with Psi-JT.

The average chip-junction temperature ( $T_j$ ) in °C can be obtained from:

$$T_j = T_A + (P_D \times \theta_{JMA}) \quad \text{Eqn. 1}$$

Where:

$T_A$	= Ambient Temperature, °C
$\theta_{JMA}$	= Package Thermal Resistance, Junction-to-Ambient, °C/W
$P_D$	= $P_{INT} + P_{I/O}$
$P_{INT}$	= $I_{DD} \times IV_{DD}$ , Watts - Chip Internal Power
$P_{I/O}$	= Power Dissipation on Input and Output Pins - User Determined

For most applications  $P_{I/O} < P_{INT}$  and can be ignored. An approximate relationship between  $P_D$  and  $T_j$  (if  $P_{I/O}$  is neglected) is:

$$P_D = \frac{K}{(T_j + 273^\circ C)} \quad \text{Eqn. 2}$$

Solving equations 1 and 2 for K gives:

$$K = P_D \times (T_A + 273^\circ C) + \theta_{JMA} \times P_D^2 \quad \text{Eqn. 3}$$

where K is a constant pertaining to the particular part. K can be determined from Equation 3 by measuring  $P_D$  (at equilibrium) for a known  $T_A$ . Using this value of K, the values of  $P_D$  and  $T_j$  can be obtained by solving Equation 1 and Equation 2 iteratively for any value of  $T_A$ .

## 5.3 ESD Protection

Table 6. ESD Protection Characteristics<sup>1, 2</sup>

Characteristics	Symbol	Value	Units
ESD Target for Human Body Model	HBM	2000	V

<sup>1</sup> All ESD testing is in conformity with CDF-AEC-Q100 Stress Test Qualification for Automotive Grade Integrated Circuits.

<sup>2</sup> A device is defined as a failure if after exposure to ESD pulses the device no longer meets the device specification requirements. Complete DC parametric and functional testing is performed per applicable device specification at room temperature followed by hot temperature, unless specified otherwise in the device specification.

## 5.4 DC Electrical Specifications

Table 7. DC Electrical Specifications

Characteristic	Symbol	Min	Max	Unit
Core Supply Voltage	$IV_{DD}$	1.4	1.6	V
PLL Supply Voltage	$PLL V_{DD}$	1.4	1.6	V
CMOS Pad Supply Voltage	$EV_{DD}$	3.0	3.6	V
SDRAM and FlexBus Supply Voltage Mobile DDR/Bus Pad Supply Voltage (nominal 1.8V) DDR/Bus Pad Supply Voltage (nominal 2.5V) SDR/Bus Pad Supply Voltage (nominal 3.3V)	$SDV_{DD}$	1.70 2.25 3.0	1.95 2.75 3.6	V
USB Supply Voltage	$USB V_{DD}$	3.0	3.6	V
CMOS Input High Voltage	$EV_{IH}$	2	$EV_{DD} + 0.3$	V
CMOS Input Low Voltage	$EV_{IL}$	$V_{SS} - 0.3$	0.8	V
CMOS Output High Voltage $I_{OH} = -5.0$ mA	$EV_{OH}$	$EV_{DD} - 0.4$	—	V
CMOS Output Low Voltage $I_{OL} = 5.0$ mA	$EV_{OL}$	—	0.4	V
SDRAM and FlexBus Input High Voltage Mobile DDR/Bus Input High Voltage (nominal 1.8V) DDR/Bus Pad Supply Voltage (nominal 2.5V) SDR/Bus Pad Supply Voltage (nominal 3.3V)	$SDV_{IH}$	1.35 1.7 2	$SDV_{DD} + 0.3$ $SDV_{DD} + 0.3$ $SDV_{DD} + 0.3$	V
SDRAM and FlexBus Input Low Voltage Mobile DDR/Bus Input High Voltage (nominal 1.8V) DDR/Bus Pad Supply Voltage (nominal 2.5V) SDR/Bus Pad Supply Voltage (nominal 3.3V)	$SDV_{IL}$	$V_{SS} - 0.3$ $V_{SS} - 0.3$ $V_{SS} - 0.3$	0.45 0.8 0.8	V
SDRAM and FlexBus Output High Voltage Mobile DDR/Bus Input High Voltage (nominal 1.8V) DDR/Bus Pad Supply Voltage (nominal 2.5V) SDR/Bus Pad Supply Voltage (nominal 3.3V) $I_{OH} = -5.0$ mA for all modes	$SDV_{OH}$	$SDV_{DD} - 0.35$ 2.1 2.4	— — —	V



Table 7. DC Electrical Specifications (continued)

Characteristic	Symbol	Min	Max	Unit
SDRAM and FlexBus Output Low Voltage Mobile DDR/Bus Input High Voltage (nominal 1.8V) DDR/Bus Pad Supply Voltage (nominal 2.5V) SDR/Bus Pad Supply Voltage (nominal 3.3V) $I_{OL} = 5.0$ mA for all modes	$SDV_{OL}$	—	0.3	V
Input Leakage Current $V_{in} = V_{DD}$ or $V_{SS}$ , Input-only pins	$I_{in}$	-1.0	1.0	$\mu$ A
Weak Internal Pull-Up Device Current, tested at $V_{IL}$ Max. <sup>1</sup>	$I_{APU}$	-10	-130	$\mu$ A
Input Capacitance <sup>2</sup> All input-only pins All input/output (three-state) pins	$C_{in}$	—	7	pF

<sup>1</sup> Refer to the signals section for pins having weak internal pull-up devices.

<sup>2</sup> This parameter is characterized before qualification rather than 100% tested.

## 5.5 Oscillator and PLL Electrical Characteristics

Table 8. PLL Electrical Characteristics

Num	Characteristic	Symbol	Min. Value	Max. Value	Unit
1	PLL Reference Frequency Range Crystal reference External reference	$f_{ref\_crystal}$	12	25 <sup>1</sup>	MHz
		$f_{ref\_ext}$	12	40 <sup>1</sup>	MHz
2	Core frequency CLKOUT Frequency <sup>2</sup>	$f_{sys}$	$488 \times 10^{-6}$	240	MHz
		$f_{sys/3}$	$163 \times 10^{-6}$	80	MHz
3	Crystal Start-up Time <sup>3, 4</sup>	$t_{cst}$	—	10	ms
4	EXTAL Input High Voltage Crystal Mode <sup>5</sup> All other modes (External, Limp)	$V_{IHEXT}$	$V_{XTAL} + 0.4$	—	V
		$V_{IHEXT}$	$E_{VDD}/2 + 0.4$	—	V
5	EXTAL Input Low Voltage Crystal Mode <sup>5</sup> All other modes (External, Limp)	$V_{ILEXT}$	—	$V_{XTAL} - 0.4$	V
		$V_{ILEXT}$	—	$E_{VDD}/2 - 0.4$	V
7	PLL Lock Time <sup>3, 6</sup>	$t_{pll}$	—	50000	CLKIN
8	Duty Cycle of reference <sup>3</sup>	$t_{dc}$	40	60	%
9	XTAL Current	$I_{XTAL}$	1	3	mA
10	Total on-chip stray capacitance on XTAL	$C_{S\_XTAL}$		1.5	pF
11	Total on-chip stray capacitance on EXTAL	$C_{S\_EXTAL}$		1.5	pF
12	Crystal capacitive load	$C_L$		See crystal spec	
13	Discrete load capacitance for XTAL	$C_{L\_XTAL}$		$2 * C_L - C_{S\_XTAL} - C_{PCB\_XTAL}$ <sup>7</sup>	pF

Table 8. PLL Electrical Characteristics (continued)

Num	Characteristic	Symbol	Min. Value	Max. Value	Unit
14	Discrete load capacitance for EXTAL	$C_{L\_EXTAL}$		$2 * C_{L\_EXTAL} + C_{S\_EXTAL} + C_{PCB\_EXTAL}$ <sup>7</sup>	pF
17	CLKOUT Period Jitter, <sup>3, 4, 7, 8, 9</sup> Measured at $f_{SYS}$ Max Peak-to-peak Jitter (Clock edge to clock edge) Long Term Jitter	$C_{jitter}$	— —	10 TBD	% $f_{sys/3}$ % $f_{sys/3}$
18	Frequency Modulation Range Limit <sup>3, 10, 11</sup> ( $f_{sys}$ Max must not be exceeded)	$C_{mod}$	0.8	2.2	% $f_{sys/3}$
19	VCO Frequency. $f_{vco} = (f_{ref} * PFD)/4$	$f_{vco}$	350	540	MHz

<sup>1</sup> The maximum allowable input clock frequency when booting with the PLL enabled is 24MHz. For higher input clock frequencies the processor must boot in LIMP mode to avoid violating the maximum allowable CPU frequency.

<sup>2</sup> All internal registers retain data at 0 Hz.

<sup>3</sup> This parameter is guaranteed by characterization before qualification rather than 100% tested.

<sup>4</sup> Proper PC board layout procedures must be followed to achieve specifications.

<sup>5</sup> This parameter is guaranteed by design rather than 100% tested.

<sup>6</sup> This specification is the PLL lock time only and does not include oscillator start-up time.

<sup>7</sup>  $C_{PCB\_EXTAL}$  and  $C_{PCB\_XTAL}$  are the measured PCB stray capacitances on EXTAL and XTAL, respectively.

<sup>8</sup> Jitter is the average deviation from the programmed frequency measured over the specified interval at maximum  $f_{sys}$ . Measurements are made with the device powered by filtered supplies and clocked by a stable external clock signal. Noise injected into the PLL circuitry via PLL  $V_{DD}$ ,  $EV_{DD}$ , and  $V_{SS}$  and variation in crystal oscillator frequency increase the  $C_{jitter}$  percentage for a given interval.

<sup>9</sup> Values are with frequency modulation disabled. If frequency modulation is enabled, jitter is the sum of  $C_{jitter} + C_{mod}$ .

<sup>10</sup> Modulation percentage applies over an interval of 10  $\mu$ s, or equivalently the modulation rate is 100 KHz.

<sup>11</sup> Modulation range determined by hardware design.

## 5.6 External Interface Timing Characteristics

Table 9 lists processor bus input timings.

### NOTE

All processor bus timings are synchronous; that is, input setup/hold and output delay with respect to the rising edge of a reference clock. The reference clock is the FB\_CLK output.

All other timing relationships can be derived from these values. Timings listed in Table 9 are shown in Figure 7 and Figure 8.

\* The timings are also valid for inputs sampled on the negative clock edge.

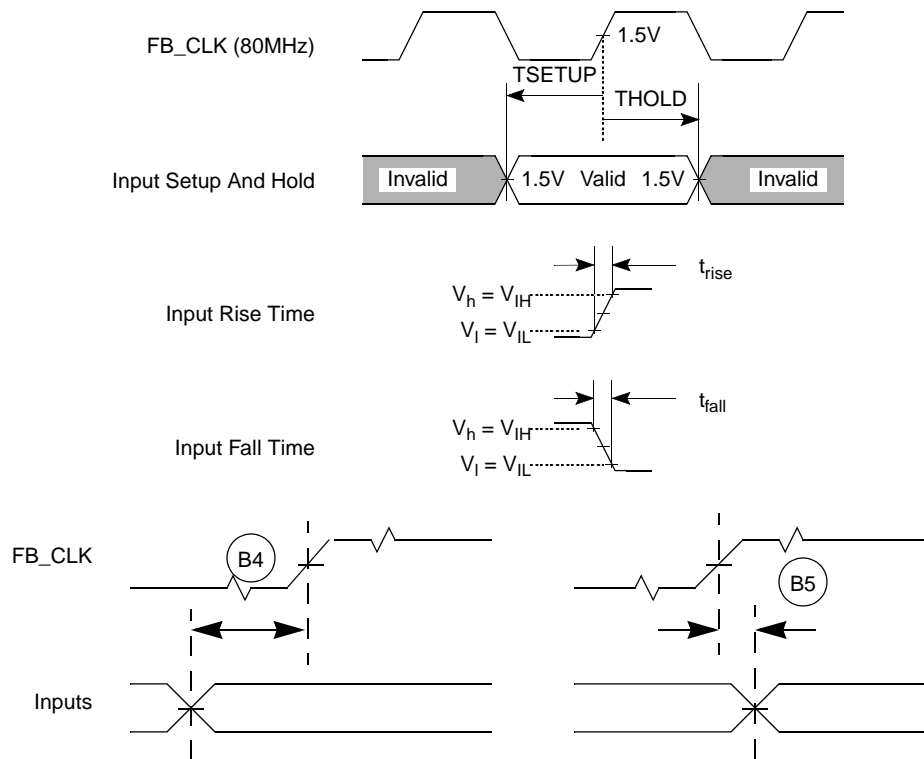


Figure 6. General Input Timing Requirements

### 5.6.1 FlexBus

A multi-function external bus interface called FlexBus is provided with basic functionality to interface to slave-only devices up to a maximum bus frequency of 80MHz. It can be directly connected to asynchronous or synchronous devices such as external boot ROMs, flash memories, gate-array logic, or other simple target (slave) devices with little or no additional circuitry. For asynchronous devices a simple chip-select based interface can be used. The FlexBus interface has six general purpose chip-selects ( $\overline{\text{FB\_CS}}[5:0]$ ) which can be configured to be distributed between the FlexBus or SDRAM memory interfaces. Chip-select,  $\overline{\text{FB\_CS}}0$  can be dedicated to boot ROM access and can be programmed to be byte (8 bits), word (16 bits), or longword (32 bits) wide. Control signal timing is compatible with common ROM/flash memories.

#### 5.6.1.1 FlexBus AC Timing Characteristics

The following timing numbers indicate when data is latched or driven onto the external bus, relative to the system clock.

Table 9. FlexBus AC Timing Specifications

Num	Characteristic	Symbol	Min	Max	Unit
—	Frequency of Operation	$f_{\text{sys}/3}$	—	80	Mhz
FB1	Clock Period (FB_CLK)	$t_{\text{FBCK}} (t_{\text{cyc}})$	12.5	—	ns
FB2	Address, Data, and Control Output Valid ( $A[23:0]$ , $D[31:0]$ , $\overline{\text{FB\_CS}}[5:0]$ , $R/\overline{W}$ , $\overline{\text{TS}}$ , $\overline{\text{BE/BWE}}[3:0]$ and $\overline{\text{OE}}$ ) <sup>1</sup>	$t_{\text{FBCHDCV}}$	—	7.0	ns
FB3	Address, Data, and Control Output Hold ( $A[23:0]$ , $D[31:0]$ , $\overline{\text{FB\_CS}}[5:0]$ , $R/\overline{W}$ , $\overline{\text{TS}}$ , $\overline{\text{BE/BWE}}[3:0]$ , and $\overline{\text{OE}}$ ) <sup>1, 2</sup>	$t_{\text{FBCHDCI}}$	1	—	ns

Table 9. FlexBus AC Timing Specifications (continued)

Num	Characteristic	Symbol	Min	Max	Unit
FB4	Data Input Setup	$t_{DVFBCH}$	3.5	—	ns
FB5	Data Input Hold	$t_{DIFBCH}$	0	—	ns
FB6	Transfer Acknowledge ( $\overline{TA}$ ) Input Setup	$t_{CVFBCH}$	4	—	ns
FB7	Transfer Acknowledge ( $\overline{TA}$ ) Input Hold	$t_{CIFBCH}$	0	—	ns

- <sup>1</sup> Timing for chip selects only applies to the  $\overline{FB\_CS}[5:0]$  signals. Please see Section 5.7.2, “DDR SDRAM AC Timing Characteristics” for  $\overline{SD\_CS}[3:0]$  timing.
- <sup>2</sup> The FlexBus supports programming an extension of the address hold. Please consult the Reference Manual for more information.

**NOTE**

The processor drives the data lines during the first clock cycle of the transfer with the full 32-bit address. This may be ignored by standard connected devices using non-multiplexed address and data buses. However, some applications may find this feature beneficial.

The address and data busses are muxed between the FlexBus and SDRAM controller. At the end of the read and write bus cycles the address signals are indeterminate.

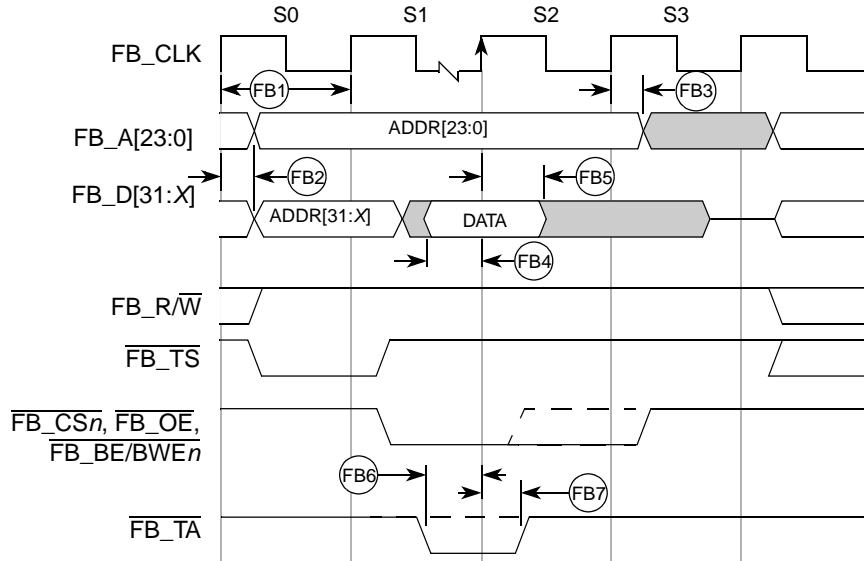


Figure 7. FlexBus Read Timing

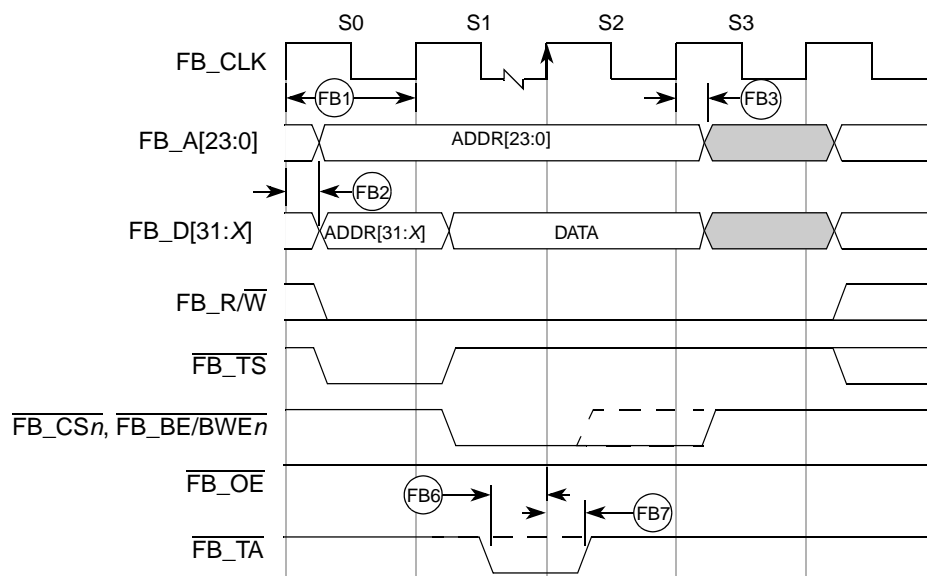


Figure 8. FlexBus Write Timing

## 5.7 SDRAM Bus

The SDRAM controller supports accesses to main SDRAM memory from any internal master. It supports standard SDRAM or double data rate (DDR) SDRAM, but it does not support both at the same time.

### 5.7.1 SDR SDRAM AC Timing Characteristics

The following timing numbers indicate when data is latched or driven onto the external bus, relative to the memory bus clock, when operating in SDR mode on write cycles and relative to SD\_DQS on read cycles. The device's SDRAM controller is a DDR controller that has an SDR mode. Because it is designed to support DDR, a DQS pulse must remain supplied to the device for each data beat of an SDR read. The processor accomplishes this by asserting a signal named SD\_SDR\_DQS during read cycles. Care must be taken during board design to adhere to the following guidelines and specs with regard to the SD\_SDR\_DQS signal and its usage.

Table 10. SDR Timing Specifications

Symbol	Characteristic	Symbol	Min	Max	Unit
•	Frequency of Operation <sup>1</sup>	•	60	80	MHz
SD1	Clock Period <sup>2</sup>	$t_{SDCK}$	12.5	16.67	ns
SD3	Pulse Width High <sup>3</sup>	$t_{SDCKH}$	0.45	0.55	SD_CLK
SD4	Pulse Width Low <sup>4</sup>	$t_{SDCKL}$	0.45	0.55	SD_CLK
SD5	Address, $\overline{SD\_CKE}$ , $\overline{SD\_CAS}$ , $\overline{SD\_RAS}$ , $\overline{SD\_WE}$ , $\overline{SD\_BA}$ , $\overline{SD\_CS}[1:0]$ - Output Valid	$t_{SDCHACV}$	—	$0.5 \times SD\_CLK + 1.0$	ns
SD6	Address, $\overline{SD\_CKE}$ , $\overline{SD\_CAS}$ , $\overline{SD\_RAS}$ , $\overline{SD\_WE}$ , $\overline{SD\_BA}$ , $\overline{SD\_CS}[1:0]$ - Output Hold	$t_{SDCHACI}$	2.0	—	ns
SD7	SD_SDR_DQS Output Valid <sup>5</sup>	$t_{DQSOV}$	—	Self timed	ns
SD8	SD_DQS[3:0] input setup relative to SD_CLK <sup>6</sup>	$t_{DQVSDCH}$	$0.25 \times SD\_CLK$	$0.40 \times SD\_CLK$	ns

Table 10. SDR Timing Specifications (continued)

Symbol	Characteristic	Symbol	Min	Max	Unit
SD9	SD_DQS[3:2] input hold relative to SD_CLK <sup>7</sup>	t <sub>DQISDCH</sub>	Does not apply. 0.5×SD_CLK fixed width.		
SD10	Data (D[31:0]) Input Setup relative to SD_CLK (reference only) <sup>8</sup>	t <sub>DVSDCH</sub>	0.25 × SD_CLK	—	ns
SD11	Data Input Hold relative to SD_CLK (reference only)	t <sub>DISDCH</sub>	1.0	—	ns
SD12	Data (D[31:0]) and Data Mask (SD_DQM[3:0]) Output Valid	t <sub>SDCHDMV</sub>	—	0.75 × SD_CLK + 0.5	ns
SD13	Data (D[31:0]) and Data Mask (SD_DQM[3:0]) Output Hold	t <sub>SDCHDMI</sub>	1.5	—	ns

- <sup>1</sup> The FlexBus and SDRAM clock operates at the same frequency of the internal bus clock. See the PLL chapter of the *MCF5373 Reference Manual* for more information on setting the SDRAM clock rate.
- <sup>2</sup> SD\_CLK is one SDRAM clock in (ns).
- <sup>3</sup> Pulse width high plus pulse width low cannot exceed min and max clock period.
- <sup>4</sup> Pulse width high plus pulse width low cannot exceed min and max clock period.
- <sup>5</sup> SD\_DQS is designed to pulse 0.25 clock before the rising edge of the memory clock. This is a guideline only. Subtle variation from this guideline is expected. SD\_DQS only pulses during a read cycle and one pulse occurs for each data beat.
- <sup>6</sup> SDR\_DQS is designed to pulse 0.25 clock before the rising edge of the memory clock. This spec is a guideline only. Subtle variation from this guideline is expected. SDR\_DQS only pulses during a read cycle and one pulse occurs for each data beat.
- <sup>7</sup> The SDR\_DQS pulse is designed to be 0.5 clock in width. The timing of the rising edge is most important. The falling edge does not affect the memory controller.
- <sup>8</sup> Because a read cycle in SDR mode uses the DQS circuit within the device, it is most critical that the data valid window be centered 1/4 clk after the rising edge of DQS. Ensuring that this happens results in successful SDR reads. The input setup spec is provided as guidance.

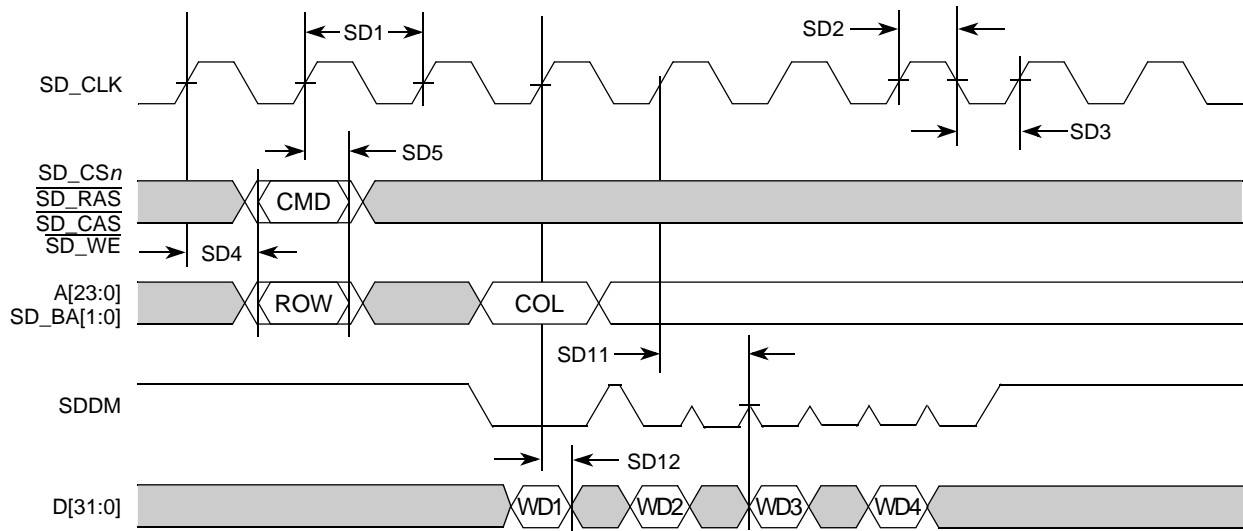


Figure 9. SDR Write Timing

Because of an order from the United States International Trade Commission, BGA-packaged product lines and part numbers indicated here currently are not available from Freescale for import or sale in the United States prior to September 2010: MCF53721CVM240, MCF5372LCVM240, MCF5373LCVM240

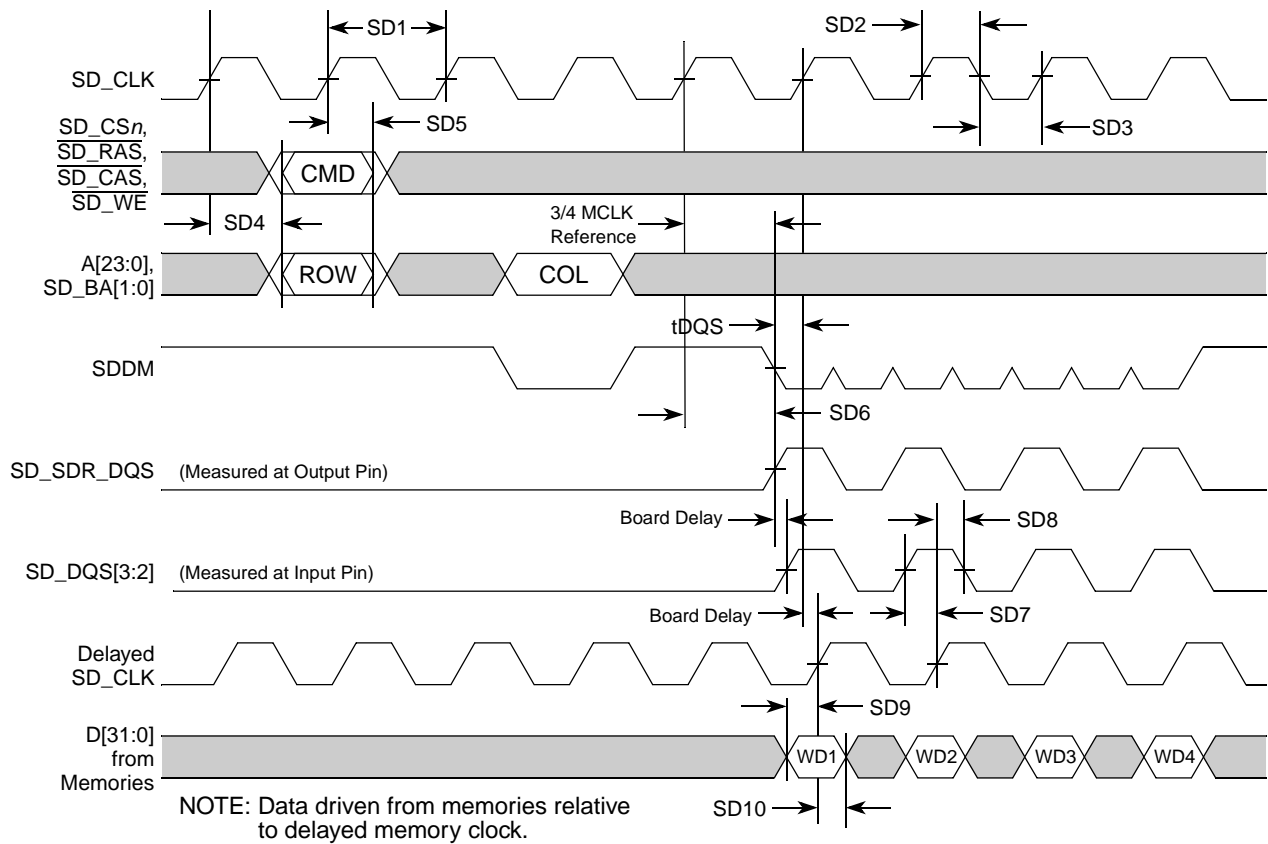


Figure 10. SDR Read Timing

### 5.7.2 DDR SDRAM AC Timing Characteristics

When using the SDRAM controller in DDR mode, the following timing numbers must be followed to properly latch or drive data onto the memory bus. All timing numbers are relative to the four DQS byte lanes.

Table 11. DDR Timing Specifications

Num	Characteristic	Symbol	Min	Max	Unit
•	Frequency of Operation	$t_{DDCK}$	60	80	Mhz
DD1	Clock Period <sup>1</sup>	$t_{DDSK}$	12.5	16.67	ns
DD2	Pulse Width High <sup>2</sup>	$t_{DDCKH}$	0.45	0.55	SD_CLK
DD3	Pulse Width Low <sup>3</sup>	$t_{DDCKL}$	0.45	0.55	SD_CLK
DD4	Address, $\overline{SD\_CKE}$ , $\overline{SD\_CAS}$ , $\overline{SD\_RAS}$ , $\overline{SD\_WE}$ , $\overline{SD\_CS}[1:0]$ - Output Valid <sup>3</sup>	$t_{SDCHACV}$	—	$0.5 \times SD\_CLK + 1.0$	ns
DD5	Address, $\overline{SD\_CKE}$ , $\overline{SD\_CAS}$ , $\overline{SD\_RAS}$ , $\overline{SD\_WE}$ , $\overline{SD\_CS}[1:0]$ - Output Hold	$t_{SDCHACI}$	2.0	—	ns
DD6	Write Command to first DQS Latching Transition	$t_{CMDVDQ}$	—	1.25	SD_CLK
DD7	Data and Data Mask Output Setup (DQ-->DQS) Relative to DQS (DDR Write Mode) <sup>4, 5</sup>	$t_{DQDMV}$	1.5	—	ns

Table 11. DDR Timing Specifications (continued)

Num	Characteristic	Symbol	Min	Max	Unit
DD8	Data and Data Mask Output Hold (DQS-->DQ) Relative to DQS (DDR Write Mode) <sup>6</sup>	t <sub>DQDMI</sub>	1.0	—	ns
DD9	Input Data Skew Relative to DQS (Input Setup) <sup>7</sup>	t <sub>DVDQ</sub>	—	1	ns
DD10	Input Data Hold Relative to DQS <sup>8</sup>	t <sub>DIDQ</sub>	0.25 × SD_CLK + 0.5ns	—	ns
DD11	DQS falling edge from SDCLK rising (output hold time)	t <sub>DQLSDCH</sub>	0.5	—	ns
DD12	DQS input read preamble width	t <sub>DQRPRE</sub>	0.9	1.1	SD_CLK
DD13	DQS input read postamble width	t <sub>DQRPST</sub>	0.4	0.6	SD_CLK
DD14	DQS output write preamble width	t <sub>DQWPRE</sub>	0.25		SD_CLK
DD15	DQS output write postamble width	t <sub>DQWPST</sub>	0.4	0.6	SD_CLK

<sup>1</sup> SD\_CLK is one SDRAM clock in (ns).

<sup>2</sup> Pulse width high plus pulse width low cannot exceed min and max clock period.

<sup>3</sup> Command output valid should be 1/2 the memory bus clock (SD\_CLK) plus some minor adjustments for process, temperature, and voltage variations.

<sup>4</sup> This specification relates to the required input setup time of today's DDR memories. The processor's output setup should be larger than the input setup of the DDR memories. If it is not larger, the input setup on the memory is in violation. MEM\_DATA[31:24] is relative to MEM\_DQS[3], MEM\_DATA[23:16] is relative to MEM\_DQS[2], MEM\_DATA[15:8] is relative to MEM\_DQS[1], and MEM\_[7:0] is relative MEM\_DQS[0].

<sup>5</sup> The first data beat is valid before the first rising edge of DQS and after the DQS write preamble. The remaining data beats are valid for each subsequent DQS edge.

<sup>6</sup> This specification relates to the required hold time of today's DDR memories. MEM\_DATA[31:24] is relative to MEM\_DQS[3], MEM\_DATA[23:16] is relative to MEM\_DQS[2], MEM\_DATA[15:8] is relative to MEM\_DQS[1], and MEM\_[7:0] is relative MEM\_DQS[0].

<sup>7</sup> Data input skew is derived from each DQS clock edge. It begins with a DQS transition and ends when the last data line becomes valid. This input skew must include DDR memory output skew and system level board skew (due to routing or other factors).

<sup>8</sup> Data input hold is derived from each DQS clock edge. It begins with a DQS transition and ends when the first data line becomes invalid.



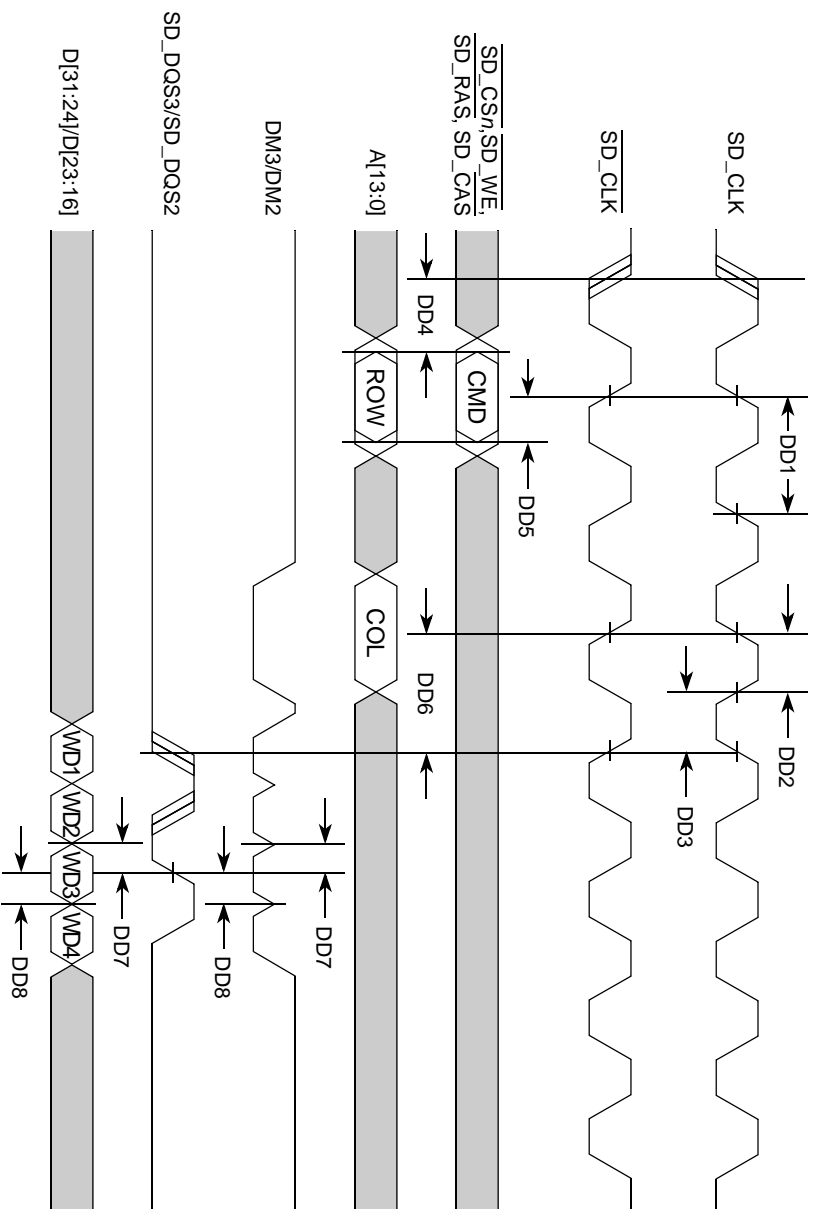


Figure 11. DDR Write Timing

Because of an order from the United States International Trade Commission, BGA-packaged product lines and part numbers indicated here currently are not available from Freescale for import or sale in the United States prior to September 2010: MCF53721CVM240, MCF5372LCVM240, MCF5373LCVM240

## Electrical Characteristics

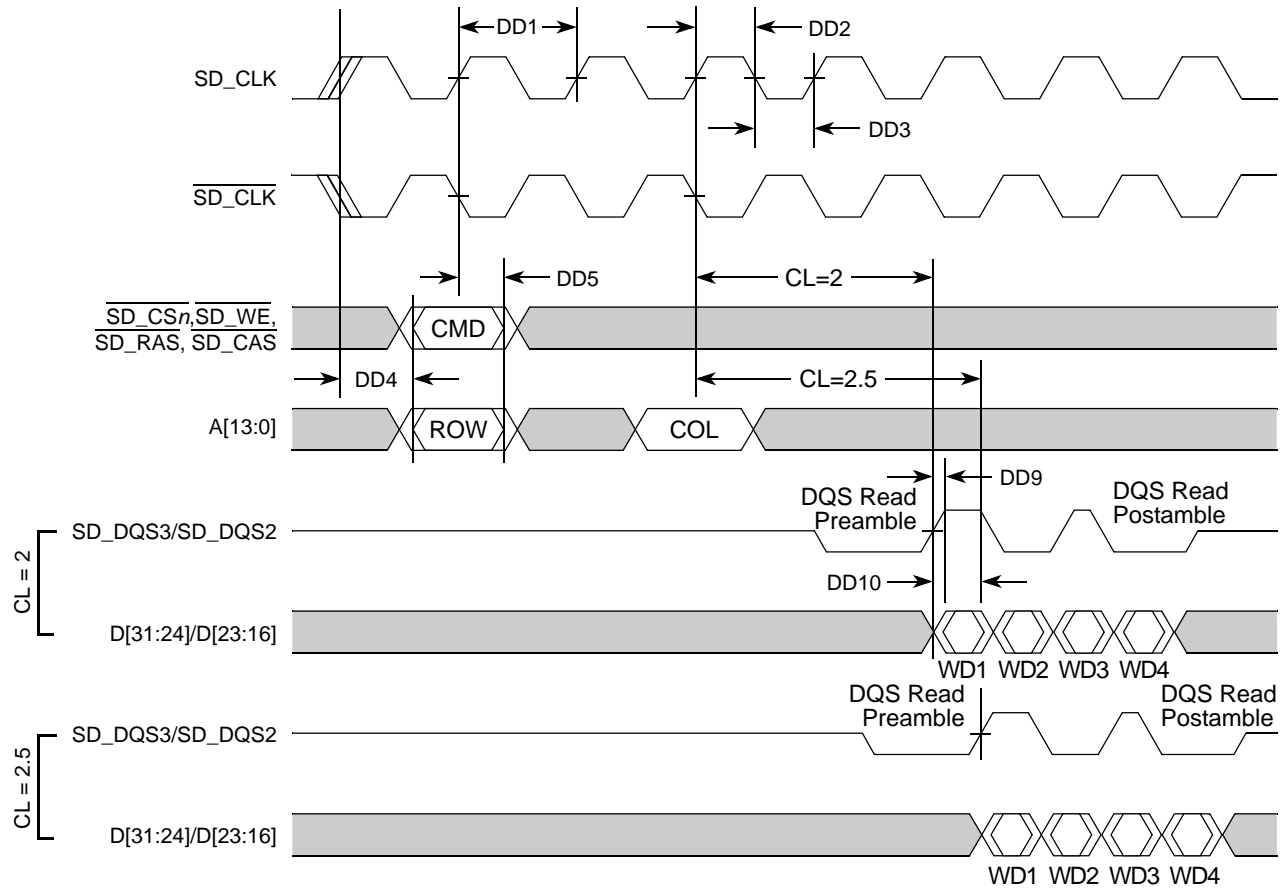


Figure 12. DDR Read Timing

## 5.8 General Purpose I/O Timing

Table 12. GPIO Timing<sup>1</sup>

Num	Characteristic	Symbol	Min	Max	Unit
G1	FB_CLK High to GPIO Output Valid	$t_{CHPOV}$	—	10	ns
G2	FB_CLK High to GPIO Output Invalid	$t_{CHPOI}$	1.5	—	ns
G3	GPIO Input Valid to FB_CLK High	$t_{PVCH}$	9	—	ns
G4	FB_CLK High to GPIO Input Invalid	$t_{CHPI}$	1.5	—	ns

<sup>1</sup> GPIO pins include:  $\overline{IRQ}_n$ , PWM, UART, FlexCAN, and Timer pins.

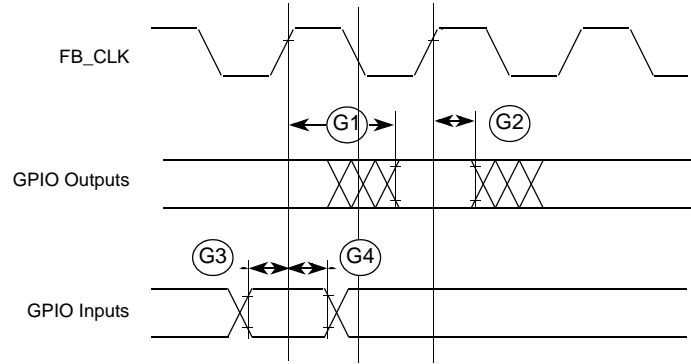


Figure 13. GPIO Timing

## 5.9 Reset and Configuration Override Timing

Table 13. Reset and Configuration Override Timing

Num	Characteristic	Symbol	Min	Max	Unit
R1	$\overline{\text{RESET}}$ Input valid to FB_CLK High	$t_{\text{RVCH}}$	9	—	ns
R2	FB_CLK High to $\overline{\text{RESET}}$ Input invalid	$t_{\text{CHRI}}$	1.5	—	ns
R3	$\overline{\text{RESET}}$ Input valid Time <sup>1</sup>	$t_{\text{RIVT}}$	5	—	$t_{\text{CYC}}$
R4	FB_CLK High to $\overline{\text{RSTOUT}}$ Valid	$t_{\text{CHROV}}$	—	10	ns
R5	$\overline{\text{RSTOUT}}$ valid to Config. Overrides valid	$t_{\text{ROVCV}}$	0	—	ns
R6	Configuration Override Setup Time to $\overline{\text{RSTOUT}}$ invalid	$t_{\text{COS}}$	20	—	$t_{\text{CYC}}$
R7	Configuration Override Hold Time after $\overline{\text{RSTOUT}}$ invalid	$t_{\text{COH}}$	0	—	ns
R8	$\overline{\text{RSTOUT}}$ invalid to Configuration Override High Impedance	$t_{\text{ROICZ}}$	—	1	$t_{\text{CYC}}$

<sup>1</sup> During low power STOP, the synchronizers for the  $\overline{\text{RESET}}$  input are bypassed and  $\overline{\text{RESET}}$  is asserted asynchronously to the system. Thus,  $\overline{\text{RESET}}$  must be held a minimum of 100 ns.

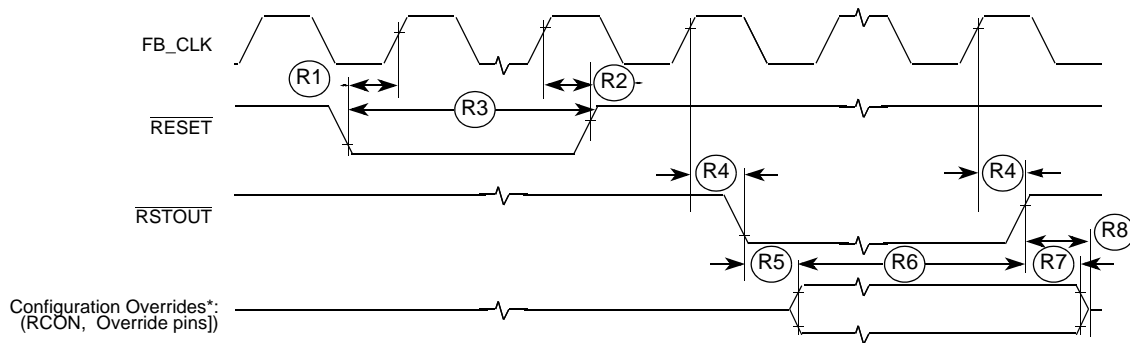


Figure 14.  $\overline{\text{RESET}}$  and Configuration Override Timing

### NOTE

Refer to the CCM chapter of the *MCF5373 Reference Manual* for more information.

## 5.10 USB On-The-Go

The MCF5373 device is compliant with industry standard USB 2.0 specification.

## 5.11 SSI Timing Specifications

This section provides the AC timings for the SSI in master (clocks driven) and slave modes (clocks input). All timings are given for non-inverted serial clock polarity (SSI\_TCR[TSCKP] = 0, SSI\_RCR[RSCKP] = 0) and a non-inverted frame sync (SSI\_TCR[TFSI] = 0, SSI\_RCR[RFSI] = 0). If the polarity of the clock and/or the frame sync have been inverted, all the timings remain valid by inverting the clock signal (SSI\_BCLK) and/or the frame sync (SSI\_FS) shown in the figures below.

**Table 14. SSI Timing – Master Modes<sup>1</sup>**

Num	Description	Symbol	Min	Max	Units
S1	SSI_MCLK cycle time <sup>2</sup>	$t_{MCLK}$	$8 \times t_{SYS}$	—	ns
S2	SSI_MCLK pulse width high / low		45%	55%	$t_{MCLK}$
S3	SSI_BCLK cycle time <sup>3</sup>	$t_{BCLK}$	$8 \times t_{SYS}$	—	ns
S4	SSI_BCLK pulse width		45%	55%	$t_{BCLK}$
S5	SSI_BCLK to SSI_FS output valid		—	15	ns
S6	SSI_BCLK to SSI_FS output invalid		-2	—	ns
S7	SSI_BCLK to SSI_TXD valid		—	15	ns
S8	SSI_BCLK to SSI_TXD invalid / high impedance		-4	—	ns
S9	SSI_RXD / SSI_FS input setup before SSI_BCLK		15	—	ns
S10	SSI_RXD / SSI_FS input hold after SSI_BCLK		0	—	ns

<sup>1</sup> All timings specified with a capacitive load of 25pF.

<sup>2</sup> SSI\_MCLK can be generated from SSI\_CLKIN or a divided version of the internal system clock (SYSCLK).

<sup>3</sup> SSI\_BCLK can be derived from SSI\_CLKIN or a divided version of SYSCLK. If the SYSCLK is used, the minimum divider is 6. If the SSI\_CLKIN input is used, the programmable dividers must be set to ensure that SSI\_BCLK does not exceed  $4 \times t_{SYS}$ .

**Table 15. SSI Timing – Slave Modes<sup>1</sup>**

Num	Description	Symbol	Min	Max	Units
S11	SSI_BCLK cycle time	$t_{BCLK}$	$8 \times t_{SYS}$	—	ns
S12	SSI_BCLK pulse width high/low		45%	55%	$t_{BCLK}$
S13	SSI_FS input setup before SSI_BCLK		10	—	ns
S14	SSI_FS input hold after SSI_BCLK		3	—	ns
S15	SSI_BCLK to SSI_TXD/SSI_FS output valid		—	15	ns
S16	SSI_BCLK to SSI_TXD/SSI_FS output invalid/high impedance		-2	—	ns
S17	SSI_RXD setup before SSI_BCLK		10	—	ns
S18	SSI_RXD hold after SSI_BCLK		3	—	ns

<sup>1</sup> All timings specified with a capacitive load of 25pF.

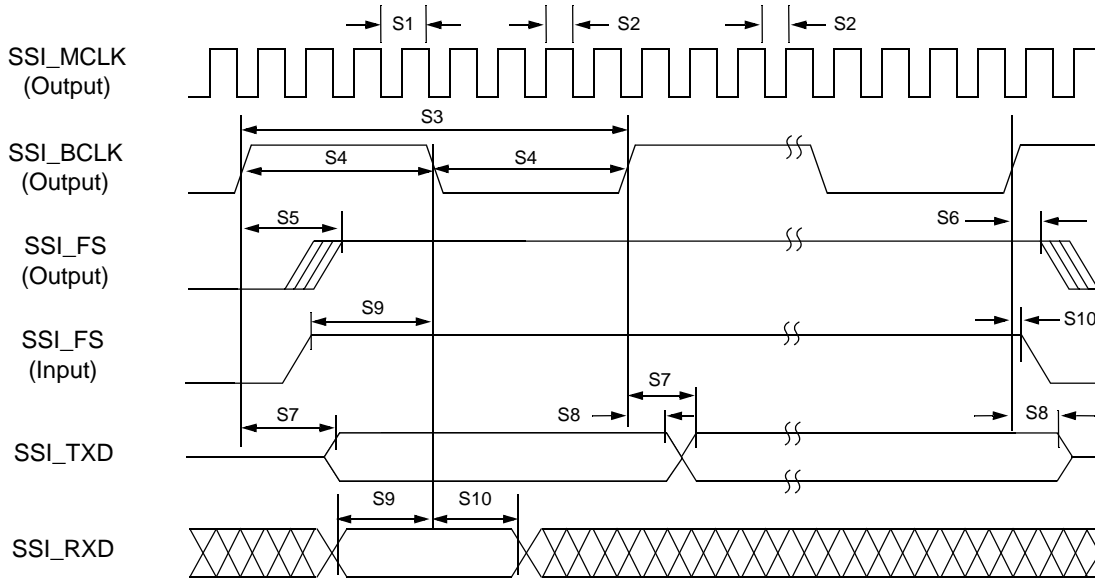


Figure 15. SSI Timing – Master Modes

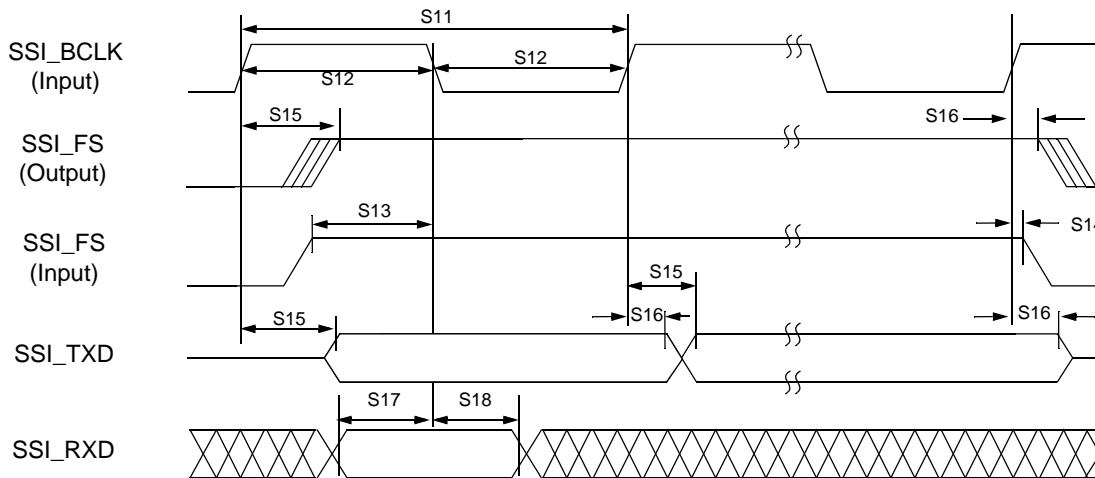


Figure 16. SSI Timing – Slave Modes

## 5.12 I<sup>2</sup>C Input/Output Timing Specifications

Table 16 lists specifications for the I<sup>2</sup>C input timing parameters shown in Figure 17.

Table 16. I<sup>2</sup>C Input Timing Specifications between SCL and SDA

Num	Characteristic	Min	Max	Units
I1	Start condition hold time	2	—	t <sub>cyc</sub>
I2	Clock low period	8	—	t <sub>cyc</sub>
I3	I2C_SCL/I2C_SDA rise time (V <sub>IL</sub> = 0.5 V to V <sub>IH</sub> = 2.4 V)	—	1	ms
I4	Data hold time	0	—	ns

**Table 16. I<sup>2</sup>C Input Timing Specifications between SCL and SDA (continued)**

Num	Characteristic	Min	Max	Units
I5	I2C_SCL/I2C_SDA fall time ( $V_{IH} = 2.4 \text{ V}$ to $V_{IL} = 0.5 \text{ V}$ )	—	1	ms
I6	Clock high time	4	—	$t_{cyc}$
I7	Data setup time	0	—	ns
I8	Start condition setup time (for repeated start condition only)	2	—	$t_{cyc}$
I9	Stop condition setup time	2	—	$t_{cyc}$

Table 17 lists specifications for the I<sup>2</sup>C output timing parameters shown in Figure 17.

**Table 17. I<sup>2</sup>C Output Timing Specifications between SCL and SDA**

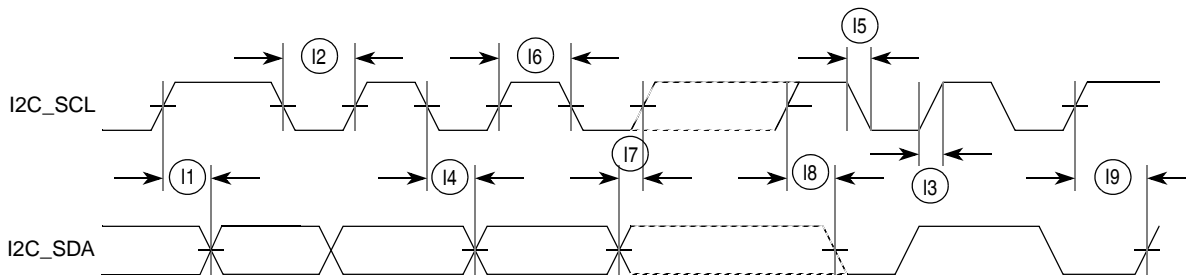
Num	Characteristic	Min	Max	Units
I1 <sup>1</sup>	Start condition hold time	6	—	$t_{cyc}$
I2 <sup>1</sup>	Clock low period	10	—	$t_{cyc}$
I3 <sup>2</sup>	I2C_SCL/I2C_SDA rise time ( $V_{IL} = 0.5 \text{ V}$ to $V_{IH} = 2.4 \text{ V}$ )	—	—	$\mu\text{s}$
I4 <sup>1</sup>	Data hold time	7	—	$t_{cyc}$
I5 <sup>3</sup>	I2C_SCL/I2C_SDA fall time ( $V_{IH} = 2.4 \text{ V}$ to $V_{IL} = 0.5 \text{ V}$ )	—	3	ns
I6 <sup>1</sup>	Clock high time	10	—	$t_{cyc}$
I7 <sup>1</sup>	Data setup time	2	—	$t_{cyc}$
I8 <sup>1</sup>	Start condition setup time (for repeated start condition only)	20	—	$t_{cyc}$
I9 <sup>1</sup>	Stop condition setup time	10	—	$t_{cyc}$

<sup>1</sup> Output numbers depend on the value programmed into the IFDR; an IFDR programmed with the maximum frequency (IFDR = 0x20) results in minimum output timings as shown in Table 17. The I<sup>2</sup>C interface is designed to scale the actual data transition time to move it to the middle of the SCL low period. The actual position is affected by the prescale and division values programmed into the IFDR; however, the numbers given in Table 17 are minimum values.

<sup>2</sup> Because I2C\_SCL and I2C\_SDA are open-collector-type outputs, which the processor can only actively drive low, the time I2C\_SCL or I2C\_SDA take to reach a high level depends on external signal capacitance and pull-up resistor values.

<sup>3</sup> Specified at a nominal 50-pF load.

Figure 17 shows timing for the values in Table 17 and Table 16.



**Figure 17. I<sup>2</sup>C Input/Output Timings**

## 5.13 Fast Ethernet AC Timing Specifications

MII signals use TTL signal levels compatible with devices operating at 5.0 V or 3.3 V.

### 5.13.1 MII Receive Signal Timing

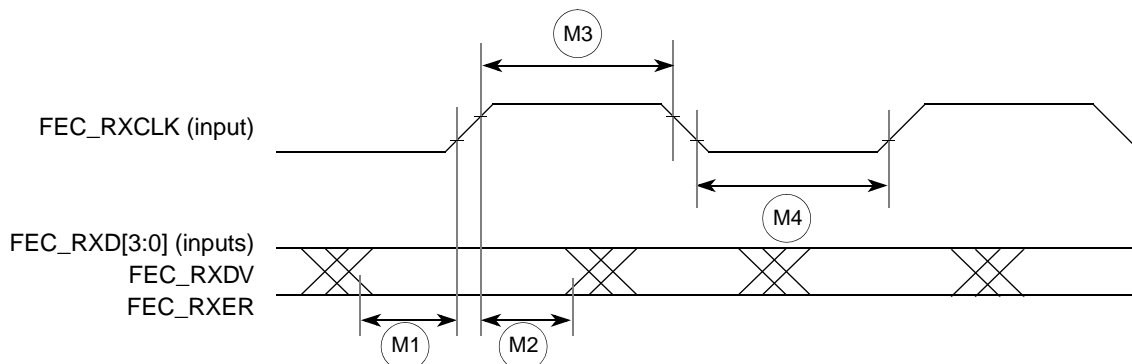
The receiver functions correctly up to a FEC\_RXCLK maximum frequency of 25 MHz +1%. The processor clock frequency must exceed twice the FEC\_RXCLK frequency.

Table 18 lists MII receive channel timings.

**Table 18. MII Receive Signal Timing**

Num	Characteristic	Min	Max	Unit
M1	FEC_RXD[3:0], FEC_RXDV, FEC_RXER to FEC_RXCLK setup	5	—	ns
M2	FEC_RXCLK to FEC_RXD[3:0], FEC_RXDV, FEC_RXER hold	5	—	ns
M3	FEC_RXCLK pulse width high	35%	65%	FEC_RXCLK period
M4	FEC_RXCLK pulse width low	35%	65%	FEC_RXCLK period

Figure 18 shows MII receive signal timings listed in Table 18.



**Figure 18. MII Receive Signal Timing Diagram**

### 5.13.2 MII Transmit Signal Timing

Table 19 lists MII transmit channel timings.

The transmitter functions correctly up to a FEC\_TXCLK maximum frequency of 25 MHz +1%. The processor clock frequency must exceed twice the FEC\_TXCLK frequency.

**Table 19. MII Transmit Signal Timing**

Num	Characteristic	Min	Max	Unit
M5	FEC_TXCLK to FEC_TXD[3:0], FEC_TXEN, FEC_TXER invalid	5	—	ns
M6	FEC_TXCLK to FEC_TXD[3:0], FEC_TXEN, FEC_TXER valid	—	25	ns
M7	FEC_TXCLK pulse width high	35%	65%	FEC_TXCLK period
M8	FEC_TXCLK pulse width low	35%	65%	FEC_TXCLK period

Figure 19 shows MII transmit signal timings listed in Table 19.

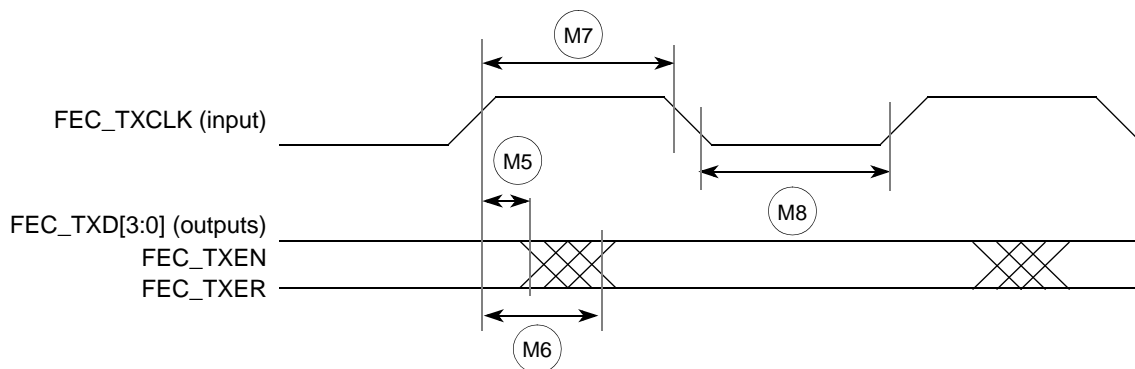


Figure 19. MII Transmit Signal Timing Diagram

### 5.13.3 MII Async Inputs Signal Timing

Table 20 lists MII asynchronous inputs signal timing.

Table 20. MII Async Inputs Signal Timing

Num	Characteristic	Min	Max	Unit
M9	FEC_CRD, FEC_COL minimum pulse width	1.5	—	FEC_TXCLK period

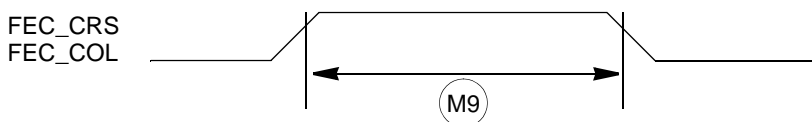


Figure 20. MII Async Inputs Timing Diagram

### 5.13.4 MII Serial Management Channel Timing

Table 21 lists MII serial management channel timings. The FEC functions correctly with a maximum MDC frequency of 2.5 MHz.

Table 21. MII Serial Management Channel Timing

Num	Characteristic	Min	Max	Unit
M10	FEC_MDC falling edge to FEC_MDIO output invalid (minimum propagation delay)	0	—	ns
M11	FEC_MDC falling edge to FEC_MDIO output valid (max prop delay)	—	25	ns
M12	FEC_MDIO (input) to FEC_MDC rising edge setup	10	—	ns
M13	FEC_MDIO (input) to FEC_MDC rising edge hold	0	—	ns
M14	FEC_MDC pulse width high	40%	60%	FEC_MDC period
M15	FEC_MDC pulse width low	40%	60%	FEC_MDC period





## Electrical Characteristics

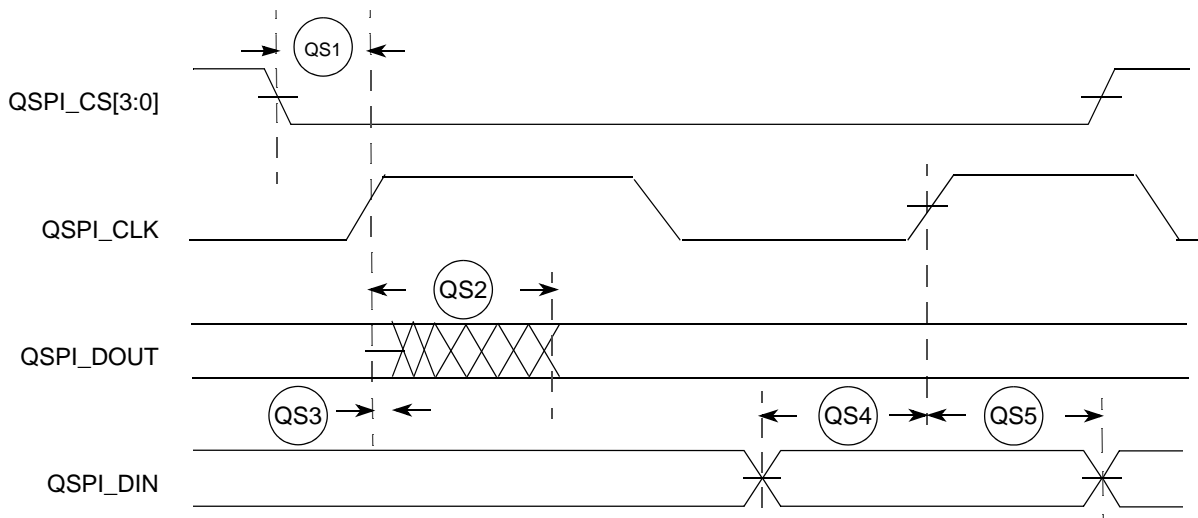


Figure 22. QSPI Timing

## 5.16 JTAG and Boundary Scan Timing

Table 24. JTAG and Boundary Scan Timing

Num	Characteristics <sup>1</sup>	Symbol	Min	Max	Unit
J1	TCLK Frequency of Operation	$f_{JCYC}$	DC	1/4	$f_{sys}/3$
J2	TCLK Cycle Period	$t_{JCYC}$	4	—	$t_{CYC}$
J3	TCLK Clock Pulse Width	$t_{JCW}$	26	—	ns
J4	TCLK Rise and Fall Times	$t_{JCRF}$	0	3	ns
J5	Boundary Scan Input Data Setup Time to TCLK Rise	$t_{BSDST}$	4	—	ns
J6	Boundary Scan Input Data Hold Time after TCLK Rise	$t_{BSDHT}$	26	—	ns
J7	TCLK Low to Boundary Scan Output Data Valid	$t_{BSDV}$	0	33	ns
J8	TCLK Low to Boundary Scan Output High Z	$t_{BSDZ}$	0	33	ns
J9	TMS, TDI Input Data Setup Time to TCLK Rise	$t_{TAPBST}$	4	—	ns
J10	TMS, TDI Input Data Hold Time after TCLK Rise	$t_{TAPBHT}$	10	—	ns
J11	TCLK Low to TDO Data Valid	$t_{TDODV}$	0	26	ns
J12	TCLK Low to TDO High Z	$t_{TDODZ}$	0	8	ns
J13	$\overline{TRST}$ Assert Time	$t_{TRSTAT}$	100	—	ns
J14	$\overline{TRST}$ Setup Time (Negation) to TCLK High	$t_{TRSTST}$	10	—	ns

<sup>1</sup> JTAG\_EN is expected to be a static signal. Hence, specific timing is not associated with it.

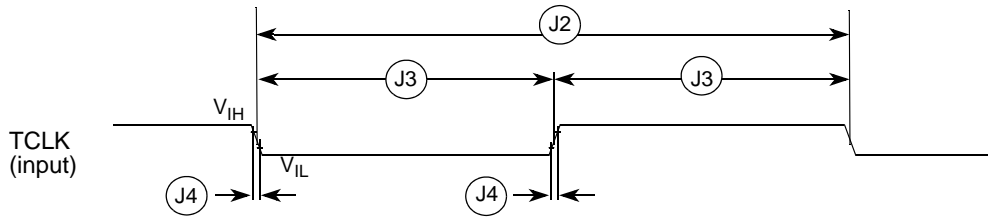


Figure 23. Test Clock Input Timing

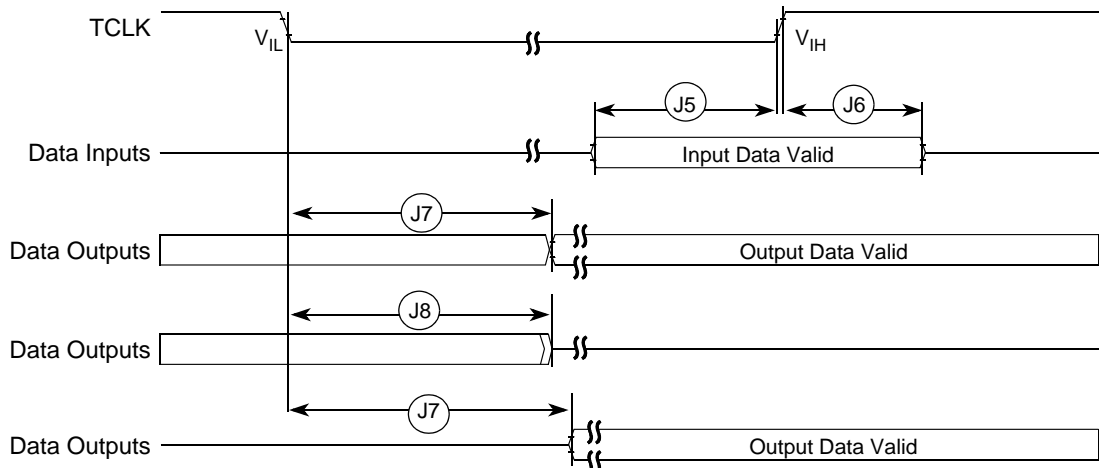


Figure 24. Boundary Scan (JTAG) Timing

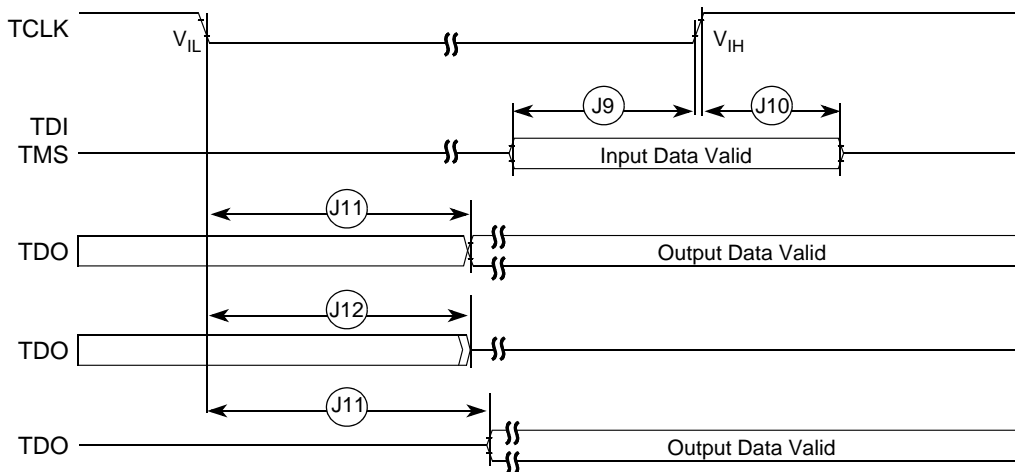


Figure 25. Test Access Port Timing

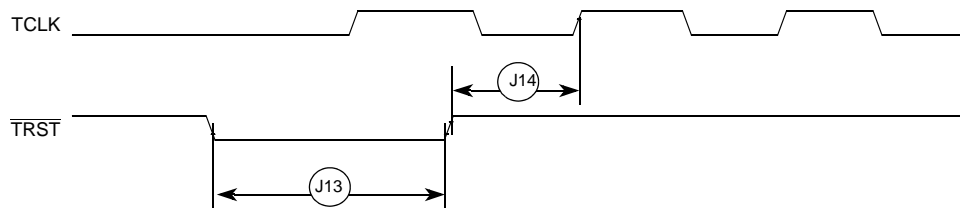


Figure 26. TRST Timing

## 5.17 Debug AC Timing Specifications

Table 25 lists specifications for the debug AC timing parameters shown in Figure 27.

Table 25. Debug AC Timing Specification

Num	Characteristic	Min	Max	Units
D0	PSTCLK cycle time	2	2	$t_{SYS} = 1/f_{SYS}$
D1	PSTCLK rising to PSTDDATA valid	—	3.0	ns
D2	PSTCLK rising to PSTDDATA invalid	1.5	—	ns
D3	DSI-to-DSCLK setup	1	—	PSTCLK
D4 <sup>1</sup>	DSCLK-to-DSO hold	4	—	PSTCLK
D5	DSCLK cycle time	5	—	PSTCLK
D6	BKPT assertion time	1	—	PSTCLK

<sup>1</sup> DSCLK and DSI are synchronized internally. D4 is measured from the synchronized DSCLK input relative to the rising edge of PSTCLK.

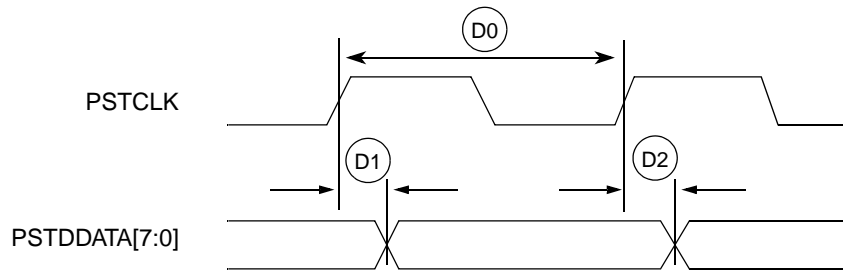


Figure 27. Real-Time Trace AC Timing

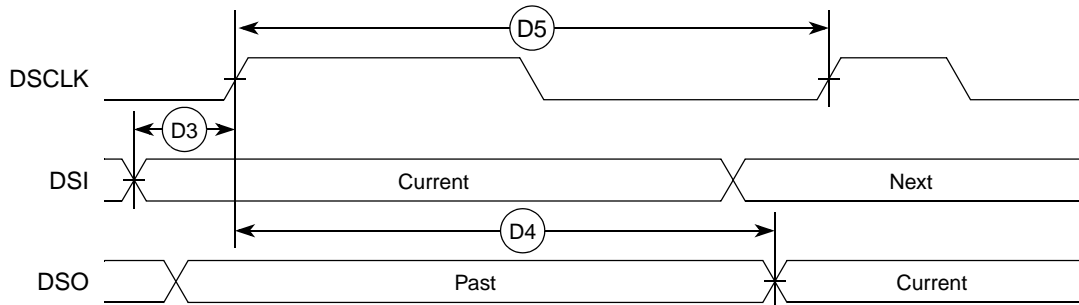


Figure 28. BDM Serial Port AC Timing

## 6 Current Consumption

All current consumption data is lab data measured on a single device using an evaluation board. Table 26 shows the typical power consumption in low-power modes. These current measurements are taken after executing a STOP instruction.

Table 26. Current Consumption in Low-Power Modes<sup>1,2</sup>

Mode	Voltage	58 MHz (Typ) <sup>3</sup>	64 MHz (Typ) <sup>3</sup>	72 MHz (Typ) <sup>3</sup>	80 MHz (Typ) <sup>3</sup>	80 MHz (Peak) <sup>4</sup>	Units
Stop Mode 3 (Stop 11) <sup>5</sup>	3.3 V	3.9	3.92	4.0	4.0	4.0	mA
	1.5 V	1.04	1.04	1.04	1.04	1.08	
Stop Mode 2 (Stop 10) <sup>4</sup>	3.3 V	4.69	4.72	4.8	4.8	4.8	
	1.5 V	2.69	2.69	2.70	2.70	2.75	
Stop Mode 1 (Stop 01) <sup>4</sup>	3.3 V	4.72	4.73	4.81	4.81	4.81	
	1.5 V	15.28	16.44	17.85	19.91	20.42	
Stop Mode 0 (Stop 00) <sup>4</sup>	3.3 V	21.65	21.68	24.33	26.13	26.16	
	1.5 V	15.47	16.63	18.06	20.12	20.67	
Wait/Doze	3.3 V	22.49	22.52	25.21	27.03	39.8	
	1.5 V	26.79	28.85	30.81	34.47	97.4	
Run	3.3 V	33.61	33.61	42.3	50.5	62.6	
	1.5 V	56.3	60.7	65.4	73.4	132.3	

<sup>1</sup> All values are measured with a 3.30V EV<sub>DD</sub>, 3.30V SDV<sub>DD</sub> and 1.5V IV<sub>DD</sub> power supplies. Tests performed at room temperature with pins configured for high drive strength.

<sup>2</sup> Refer to the Power Management chapter in the *MCF537x Reference Manual* for more information on low-power modes.

<sup>3</sup> All peripheral clocks except UART0, FlexBus, INTC0, reset controller, PLL, and edge port off before entering low power mode. All code executed from flash.

<sup>4</sup> All peripheral clocks on before entering low power mode. All code is executed from flash.

<sup>5</sup> See the description of the low-power control register (LCPR) in the *MCF537x Reference Manual* for more information on stop modes 0–3.

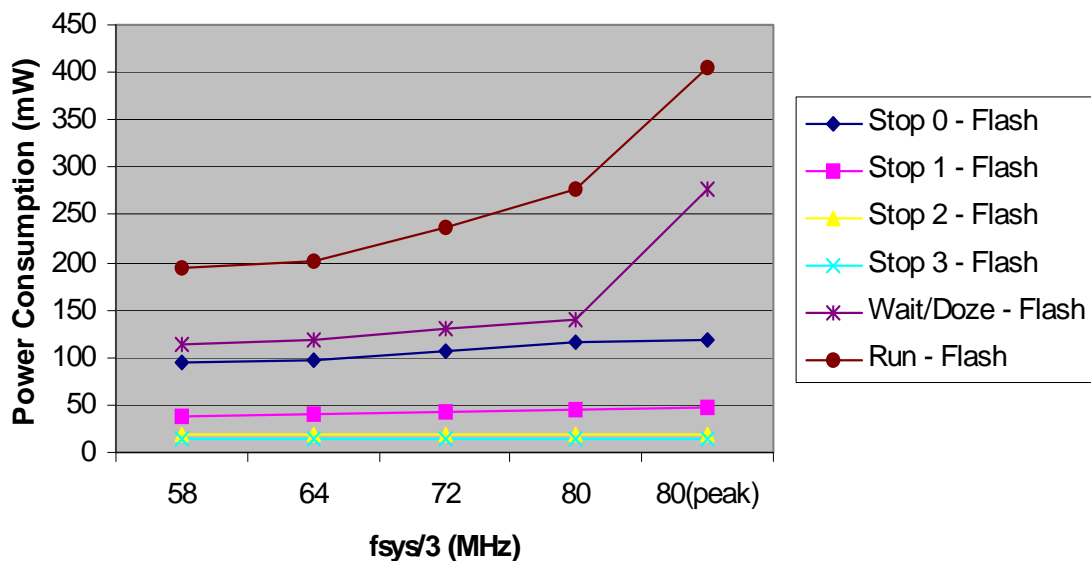


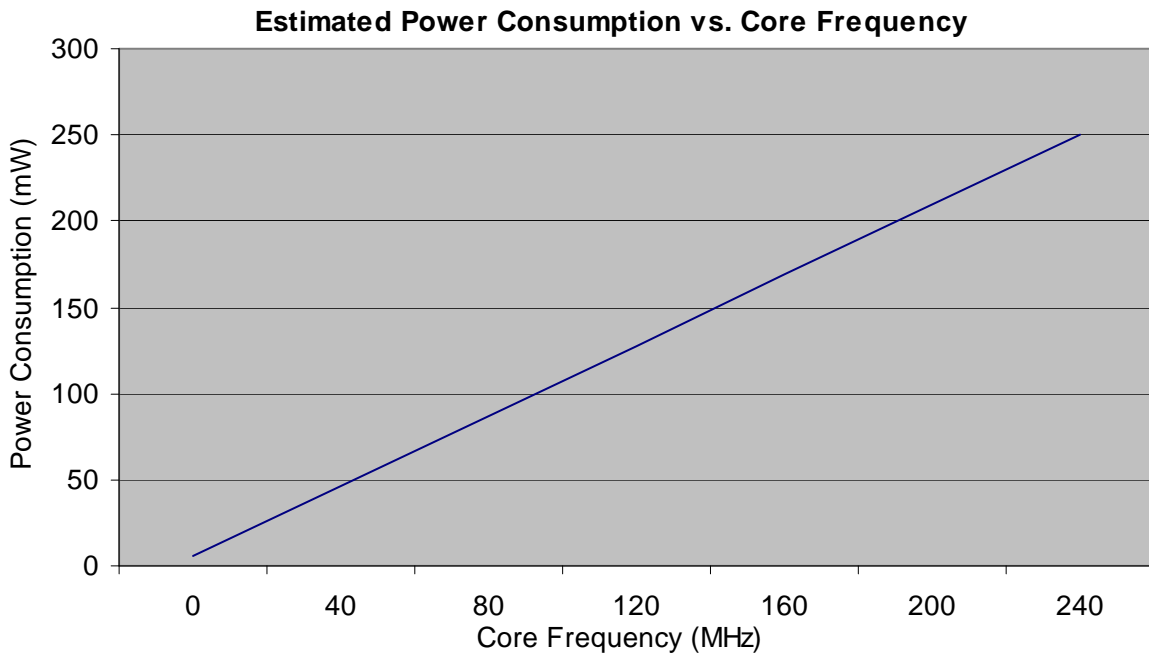
Figure 29. Current Consumption in Low-Power Modes

**Table 27. Typical Active Current Consumption Specifications<sup>1</sup>**

$f_{sys/3}$ Frequency	Voltage	Typical <sup>2</sup> Active (Flash)	Peak <sup>3</sup>	Unit
1.333 MHz	3.3V	7.73	7.74	mA
	1.5V	2.87	3.56	
2.666 MHz	3.3V	8.57	8.60	
	1.5V	4.37	5.52	
58 MHz	3.3V	40.10	49.3	
	1.5V	65.90	91.70	
64 MHz	3.3V	44.40	54.0	
	1.5V	69.50	97.0	
72 MHz	3.3V	53.6	63.7	
	1.5V	74.6	104.7	
80 MHz	3.3V	63.0	73.7	
	1.5V	79.6	112.9	

- <sup>1</sup> All values are measured with a 3.30 V EV<sub>DD</sub>, 3.30 V SDV<sub>DD</sub> and 1.5 V IV<sub>DD</sub> power supplies. Tests performed at room temperature with pins configured for high drive strength.
- <sup>2</sup> CPU polling a status register. All peripheral clocks except UART0, FlexBus, INTC0, reset controller, PLL, and edge port disabled.
- <sup>3</sup> Peak current measured while running a while(1) loop with all modules active.

Figure 30 shows the estimated maximum power consumption.



**Figure 30. Estimated Maximum Power Consumption**

## 7 Package Information

This section contains drawings showing the pinout and the packaging and mechanical characteristics of the MCF537x devices.

### NOTE

The mechanical drawings are the latest revisions at the time of publication of this document. The most up-to-date mechanical drawings can be found at the product summary page located at <http://www.freescale.com/coldfire>.

## 7.1 Package Dimensions—196 MAPBGA

Figure 31 shows the MCF5373LCVM240, MCF5372LCVM240, and MCF53721CVM240 package dimensions.

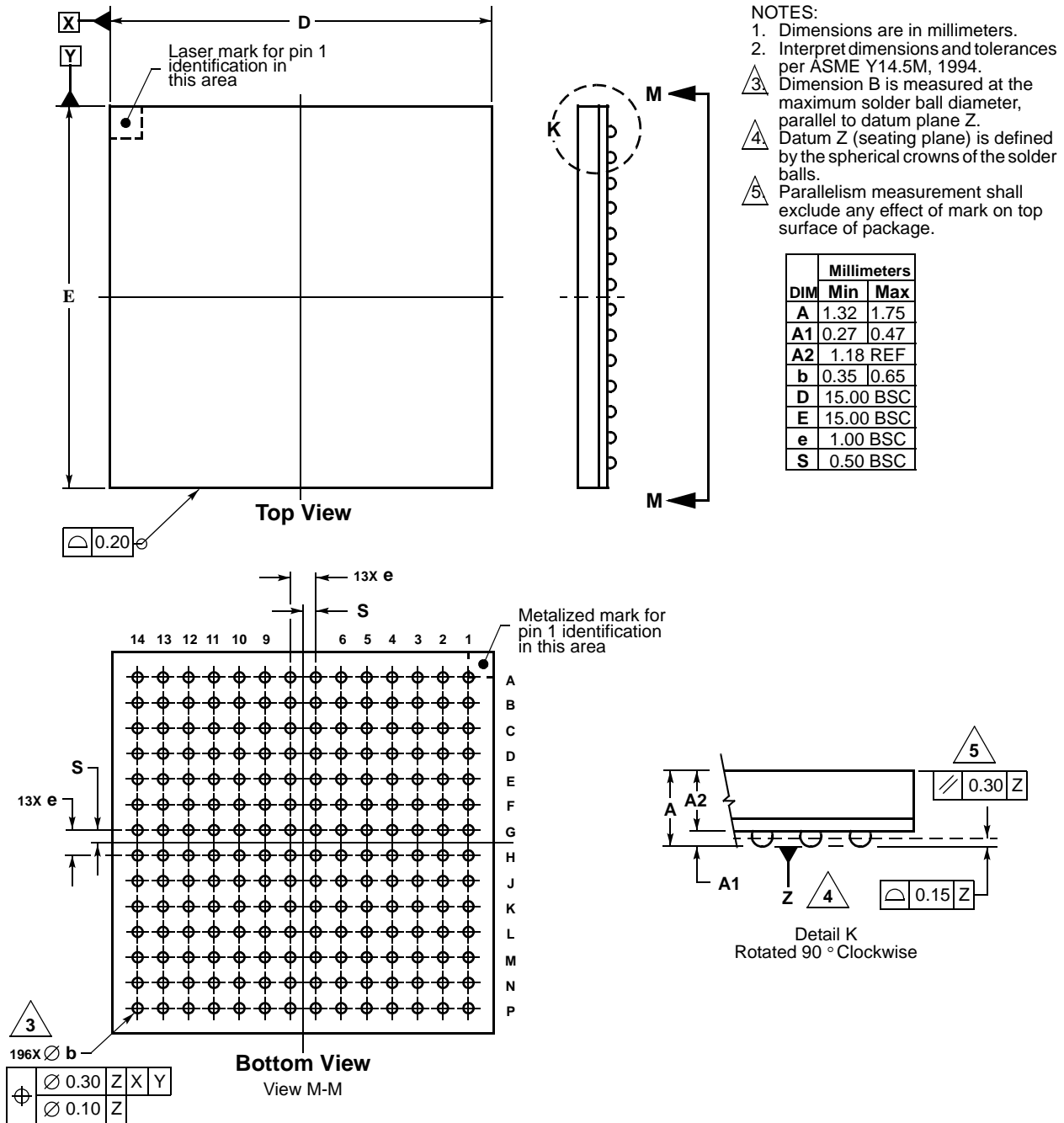


Figure 31. 196 MAPBGA Package Dimensions (Case No. 1128A-01)



## 7.2 Package Dimensions—160 QFP

Figure 32 and Figure 33 show the MCF5372CAB180 and MCF5373CAB180 package dimensions.

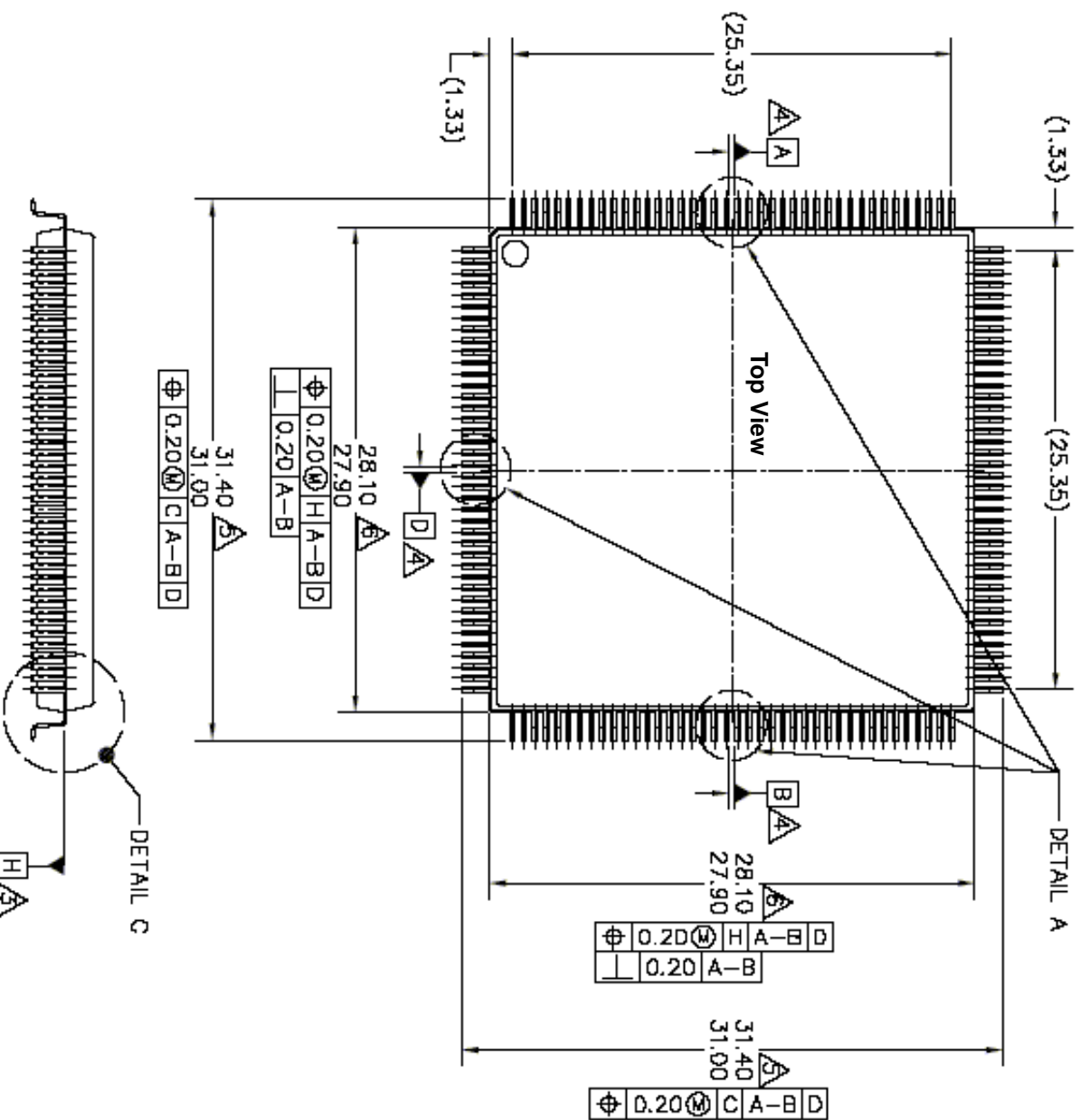
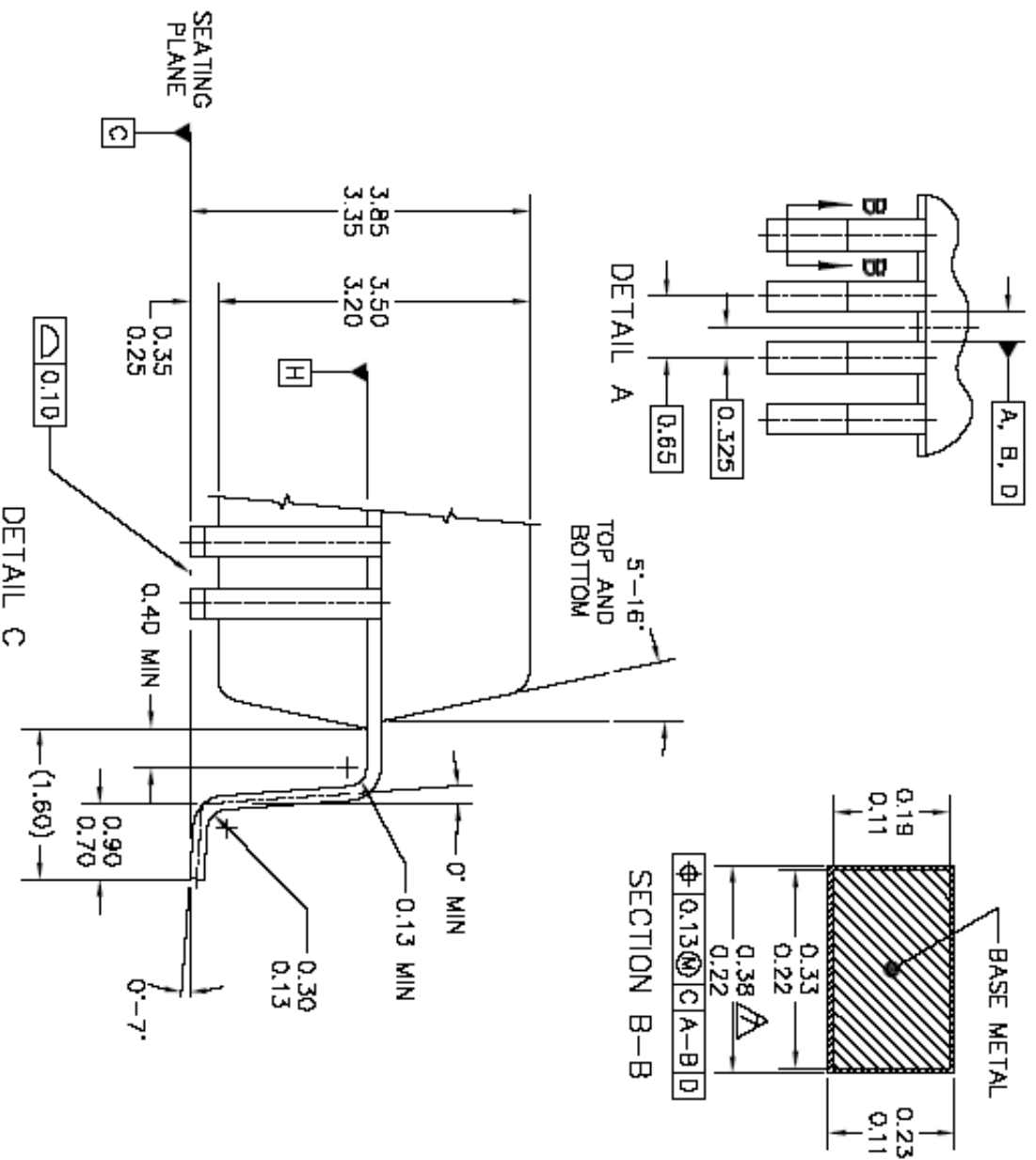


Figure 32. 160QFP Package Dimensions (Sheet 1 of 2)



- DATUM PLANE IS LOCATED AT BOTTOM OF LEAD AND IS COINCIDENT WITH THE LEAD WHERE THE LEAD EXITS THE PLASTIC BODY AT THE BOTTOM OF THE PARTING LINE.
- DATUMS TO BE DETERMINED AT DATUM PLANE H.
- DIMENSIONS TO BE DETERMINED AT SEATING PLANE C.
- DIMENSIONS DO NOT INCLUDE MOLD PROTRUSION. ALLOWABLE PROTRUSION IS 0.25 PER SIDE. DIMENSIONS DO INCLUDE MOLD MISMATCH AND ARE DETERMINED AT DATUM PLANE H.
- DIMENSION DOES NOT INCLUDE DAMBAR PROTRUSION. ALLOWABLE DAMBAR PROTRUSION SHALL BE 0.08 TOTAL IN EXCESS OF THE D DIMENSION AT MAXIMUM MATERIAL CONDITION. DAMBAR CANNOT BE LOCATED ON THE LOWER RADIUS OR THE FOOT.

Figure 33. 160QFP Package Dimensions (Sheet 2 of 2)

## 8 Revision History

Table 28. MCF5373DS Document Revision History

Rev. No.	Substantive Changes	Date of Release
0	<ul style="list-style-type: none"> <li>Initial release</li> </ul>	11/2005
0.1	<ul style="list-style-type: none"> <li>Swapped pin locations PLL_VSS (J11-&gt;H11) and DRAMSEL (H11-&gt;J11) in <a href="#">Table 1</a>. <a href="#">Figure 4</a> is correct.</li> </ul>	12/2005
0.2	<ul style="list-style-type: none"> <li>Added not to <a href="#">Section 7, "Package Information."</a></li> <li>Added "top view" and "bottom view" where appropriate in mechanical drawings and pinout figures.</li> <li><a href="#">Figure 6</a>: Corrected "FB_CLK (75MHz)" label to "FB_CLK (80MHz)"</li> </ul>	3/2006
0.3	<ul style="list-style-type: none"> <li>Changed 160QFP pinouts in <a href="#">Figure 5</a> and <a href="#">Table 2</a>: Removed IRQ3 pin, shifted pins 89–99 up one pin to 90–100. Pin 89 is now VSS.</li> <li><a href="#">Table 2</a>: Rearranged GPIO signal names for FEC pins.</li> <li>Removed ULPI specifications as the device does not support ULPI.</li> </ul>	4/2006
1	<ul style="list-style-type: none"> <li>Updated thermal characteristic values in <a href="#">Table 7</a>.</li> <li>Updated DC electricals values in <a href="#">Table 7</a>.</li> <li>Updated <a href="#">Section 3.3, "Supply Voltage Sequencing and Separation Cautions"</a> and subsections.</li> <li>Updated and added Oscillator/PLL characteristics in <a href="#">Table 8</a>.</li> <li><a href="#">Table 9</a>: Swapped min/max for FB1; Removed FB8 &amp; FB9.</li> <li>Updated SDRAM write timing diagram, <a href="#">Figure 9</a>.</li> <li><a href="#">Table 11</a>: Added values for frequency of operation and DD1.</li> <li>Replaced figure &amp; table <a href="#">Section 5.11, "SSI Timing Specifications,"</a> with slave &amp; master mode versions.</li> <li>Removed second sentence from <a href="#">Section 5.13.2, "MII Transmit Signal Timing,"</a> regarding no minimum frequency requirement for TXCLK.</li> <li>Removed third and fourth paragraphs from <a href="#">Section 5.13.2, "MII Transmit Signal Timing,"</a> as this feature is not supported on this device.</li> <li>Updated figure &amp; table <a href="#">Section 5.17, "Debug AC Timing Specifications."</a></li> <li>Renamed &amp; moved previous version's <a href="#">Section 5.5 "Power Consumption"</a> to <a href="#">Section 6, "Current Consumption."</a> Added additional real-world data to this section as well.</li> </ul>	7/2007
2	<ul style="list-style-type: none"> <li>Added MCF53721 device information throughout: features list, family configuration table, ordering information table, signals description table, and relevant package diagram titles</li> <li>Remove Footnote 1 from <a href="#">Table 11</a>.</li> <li>Changed document type from Advance Information to Technical Data.</li> </ul>	8/2007

Table 28. MCF5373DS Document Revision History (continued)

Rev. No.	Substantive Changes	Date of Release
3	<ul style="list-style-type: none"> <li>• Removed cryptography from Table 1 for the MCF53721 device.</li> <li>• Corrected D0 spec in Table 25 from <math>1.5 \times t_{\text{sys}}</math> to <math>2 \times t_{\text{sys}}</math> for min and max values.</li> <li>• Updated FlexBus read and write timing diagrams in Figure 7 and Figure 8.</li> <li>• Corrected package information in Table 2 for MCF5373LCVM240 device from “256 MAPBGA” to “196 MAPBGA”.</li> <li>• Removed footnote 2 from the IRQ[7:1] alternate functions USBHOST VBUS_EN, USBHOST VBUS_OC, SSI_MCLK, USB_CLKIN, and SSI_CLKIN signals in Table 6.</li> </ul>	4/2008
4	<p>Changed the following specs in Table 10 and Table 11:</p> <ul style="list-style-type: none"> <li>• Minimum frequency of operation from TBD to 60MHz</li> <li>• Maximum clock period from TBD to 16.67 ns</li> </ul> <p>Added FlexCAN for the MCF53721 device in features list, block diagram, Signal Information and Muxing table, and GPIO timing diagram</p>	11/2008



## How to Reach Us:

### Home Page:

[www.freescale.com](http://www.freescale.com)

### Web Support:

<http://www.freescale.com/support>

### USA/Europe or Locations Not Listed:

Freescale Semiconductor, Inc.  
Technical Information Center, EL516  
2100 East Elliot Road  
Tempe, Arizona 85284  
+1-800-521-6274 or +1-480-768-2130  
[www.freescale.com/support](http://www.freescale.com/support)

### Europe, Middle East, and Africa:

Freescale Halbleiter Deutschland GmbH  
Technical Information Center  
Schatzbogen 7  
81829 Muenchen, Germany  
+44 1296 380 456 (English)  
+46 8 52200080 (English)  
+49 89 92103 559 (German)  
+33 1 69 35 48 48 (French)  
[www.freescale.com/support](http://www.freescale.com/support)

### Japan:

Freescale Semiconductor Japan Ltd.  
Headquarters  
ARCO Tower 15F  
1-8-1, Shimo-Meguro, Meguro-ku,  
Tokyo 153-0064  
Japan  
0120 191014 or +81 3 5437 9125  
[support.japan@freescale.com](mailto:support.japan@freescale.com)

### Asia/Pacific:

Freescale Semiconductor Hong Kong Ltd.  
Technical Information Center  
2 Dai King Street  
Tai Po Industrial Estate  
Tai Po, N.T., Hong Kong  
+800 2666 8080  
[support.asia@freescale.com](mailto:support.asia@freescale.com)

### For Literature Requests Only:

Freescale Semiconductor Literature Distribution Center  
P.O. Box 5405  
Denver, Colorado 80217  
1-800-441-2447 or 303-675-2140  
Fax: 303-675-2150  
[LDCForFreescaleSemiconductor@hibbertgroup.com](mailto:LDCForFreescaleSemiconductor@hibbertgroup.com)

Document Number: MCF5373DS

Rev. 4

11/2008

Information in this document is provided solely to enable system and software implementers to use Freescale Semiconductor products. There are no express or implied copyright licenses granted hereunder to design or fabricate any integrated circuits or integrated circuits based on the information in this document.

Freescale Semiconductor reserves the right to make changes without further notice to any products herein. Freescale Semiconductor makes no warranty, representation or guarantee regarding the suitability of its products for any particular purpose, nor does Freescale Semiconductor assume any liability arising out of the application or use of any product or circuit, and specifically disclaims any and all liability, including without limitation consequential or incidental damages. "Typical" parameters that may be provided in Freescale Semiconductor data sheets and/or specifications can and do vary in different applications and actual performance may vary over time. All operating parameters, including "Typicals", must be validated for each customer application by customer's technical experts. Freescale Semiconductor does not convey any license under its patent rights nor the rights of others. Freescale Semiconductor products are not designed, intended, or authorized for use as components in systems intended for surgical implant into the body, or other applications intended to support or sustain life, or for any other application in which the failure of the Freescale Semiconductor product could create a situation where personal injury or death may occur. Should Buyer purchase or use Freescale Semiconductor products for any such unintended or unauthorized application, Buyer shall indemnify and hold Freescale Semiconductor and its officers, employees, subsidiaries, affiliates, and distributors harmless against all claims, costs, damages, and expenses, and reasonable attorney fees arising out of, directly or indirectly, any claim of personal injury or death associated with such unintended or unauthorized use, even if such claim alleges that Freescale Semiconductor was negligent regarding the design or manufacture of the part.

RoHS-compliant and/or Pb-free versions of Freescale products have the functionality and electrical characteristics as their non-RoHS-compliant and/or non-Pb-free counterparts. For further information, see <http://www.freescale.com> or contact your Freescale sales representative.

For information on Freescale's Environmental Products program, go to <http://www.freescale.com/epp>.

Freescale™ and the Freescale logo are trademarks of Freescale Semiconductor, Inc. All other product or service names are the property of their respective owners.  
© Freescale Semiconductor, Inc. 2008. All rights reserved.

