

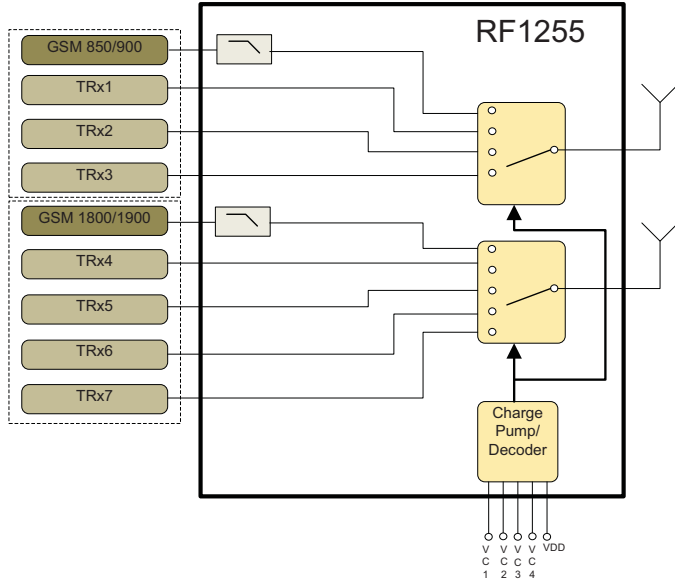


Features

- Excellent Insertion Loss and Isolation Performance
- Seven Linear Paths Offer Maximum Band Combination, Layout, and Air Interface Flexibility
- Integrated Low and High Band GSM TX Filtering
- Very Low Current Consumption
- Compact 2.8mm x 3.6mm x 1.0mm Laminate Module
- >1kV HBM ESD Tolerance On All Ports

Applications

- Cellular Handset Applications
- Cellular Modems and USB Devices
- Multi-Mode GSM, EDGE, WCDMA, and LTE Applications



Functional Block Diagram

Product Description

The RF1255 Antenna Switch Module offers very low insertion loss along with excellent linearity performance. The RF1255 is ideal for multi-mode GSM, EDGE, and UMTS handset applications. This module integrates low pass filtering on the GSM transmit paths, thus avoiding the need for external harmonic attenuation. The RF1255 also provides dual antenna paths and is compatible with +1.8V control logic. RF1255 is packaged in a compact 2.8mm x 3.6mm, 26-pin module package which allows for a small solution size with no need for external DC blocking capacitors when no external DC is applied to the device ports.

RF1255

Antenna Switch Module With Dual Antenna Paths

Optimum Technology Matching® Applied

- | | | | |
|--------------------------------------|--------------------------------------|---|-----------------------------------|
| <input type="checkbox"/> GaAs HBT | <input type="checkbox"/> SiGe BiCMOS | <input type="checkbox"/> GaAs pHEMT | <input type="checkbox"/> GaN HEMT |
| <input type="checkbox"/> GaAs MESFET | <input type="checkbox"/> Si BiCMOS | <input checked="" type="checkbox"/> Si CMOS | <input type="checkbox"/> RF MEMS |
| <input type="checkbox"/> InGaP HBT | <input type="checkbox"/> SiGe HBT | <input type="checkbox"/> Si BJT | <input type="checkbox"/> LD MOS |

RF MICRO DEVICES®, RFMD®, Optimum Technology Matching®, Enabling Wireless Connectivity™, PowerStar®, POLARIS™ TOTAL RADIO™ and UltimateBlue™ are trademarks of RFMD, LLC. BLUETOOTH is a trademark owned by Bluetooth SIG, Inc., U.S.A. and licensed for use by RFMD. All other trade names, trademarks and registered trademarks are the property of their respective owners. ©2012, RF Micro Devices, Inc.

RF1255



rfmd.com

**Please contact
RFMD Technical Support
at (336) 678-5570
for more information.**