

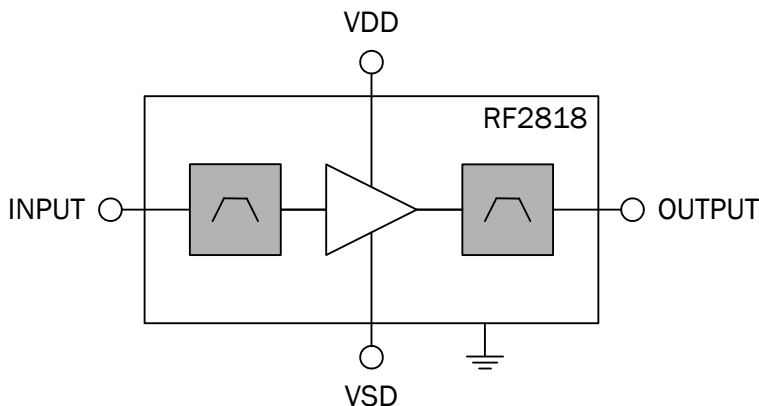


Features

- Compact Footprint: 3.0mmx2.5mmx1.0mm
- Only Two External Components Required
- No External DC Blocking Capacitors Required - Lowest BOM Cost and Small Solution Size
- Low Noise Figure: 1.55dB (Typ)
- High Gain: 14dB (Typ)
- Excellent Linearity IIP3: +6dBm (Typ)
- Integrated Input and Output SAW Filters for Optimum PCS and Cell Band Rejection:
 - Cell: 101dBc (Typ)
 - PCS: 74dBc (Typ)
- Operable Over Wide Supply Voltage Range: 1V to 3.6V
- Adjustable Bias and Shutdown Capability

Applications

- Cellular Handsets
- Personal Navigation Devices



Functional Block Diagram

Product Description

The RF2818 is a GPS Low Noise Amplifier with integrated SAW filters at the input and output. Low noise figure, along with high gain, achieved by the RF2818 makes it very suitable for compact GPS receivers requiring reduced front-end noise and high sensitivity. This module builds upon RFMD's leading edge pHEMT process and integrates input matching and low loss high rejection SAW filters at both the input and output. This results in high performance and a reduced solution size. The ease of implementation simplifies the receiver design.

The RF2818 is packaged in a compact 3.0mmx2.5mmx1.0mm package with only two external components required to achieve the best-in-class performance.

Ordering Information

RF2818	GPS Low Noise Amplifier with Integrated Input/Output SAW Filters
RF2818PCBA-410	Fully Assembled Evaluation Board

Optimum Technology Matching® Applied

- | | | | |
|--------------------------------------|--------------------------------------|--|-----------------------------------|
| <input type="checkbox"/> GaAs HBT | <input type="checkbox"/> SiGe BiCMOS | <input checked="" type="checkbox"/> GaAs pHEMT | <input type="checkbox"/> GaN HEMT |
| <input type="checkbox"/> GaAs MESFET | <input type="checkbox"/> Si BiCMOS | <input type="checkbox"/> Si CMOS | <input type="checkbox"/> RF MEMS |
| <input type="checkbox"/> InGaP HBT | <input type="checkbox"/> SiGe HBT | <input type="checkbox"/> Si BJT | <input type="checkbox"/> LDMOS |

RF MICRO DEVICES®, RFMD®, Optimum Technology Matching®, Enabling Wireless Connectivity™, PowerStar®, POLARIS™ TOTAL RADIO™ and UltimateBlue™ are trademarks of RFMD, LLC. BLUETOOTH is a trademark owned by Bluetooth SIG, Inc., U.S.A. and licensed for use by RFMD. All other trade names, trademarks and registered trademarks are the property of their respective owners. ©2006, RF Micro Devices, Inc.

Absolute Maximum Ratings

Parameter	Rating	Unit
V _{DD}	3.6	V
I _{DD}	20	mA
Maximum Input Power - CW, V _{DD} =2.7V, I _{DD} =8.4mA	+15	dBm
P _{Diss}	72	mW
Max Voltage on RF Output (Pin 8)	+5	V
T _j (Junction Temperature)	150	°C
Storage Temperature	-65 to +150	°C
Operating Temperature	-40 to +85	°C



Caution! ESD sensitive device.

Exceeding any one or a combination of the Absolute Maximum Rating conditions may cause permanent damage to the device. Extended application of Absolute Maximum Rating conditions to the device may reduce device reliability. Specified typical performance or functional operation of the device under Absolute Maximum Rating conditions is not implied.

RoHS status based on EUDirective2002/95/EC (at time of this document revision).

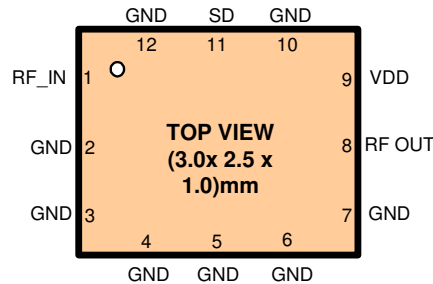
The information in this publication is believed to be accurate and reliable. However, no responsibility is assumed by RF Micro Devices, Inc. ("RFMD") for its use, nor for any infringement of patents, or other rights of third parties, resulting from its use. No license is granted by implication or otherwise under any patent or patent rights of RFMD. RFMD reserves the right to change component circuitry, recommended application circuitry and specifications at any time without prior notice.

Parameter	Specification			Unit	Condition
	Min.	Typ.	Max.		
High Current Mode					V _{DD} = V _{SD} = 2.7V, I _{DD} = 7mA, Temp = 25°C Nominal Operating Conditions (unless otherwise specified)
Gain (G)	12.5	14		dB	
Noise Figure (NF)*		1.55	1.95	dB	
Input P1dB Compressed Power (IP1dB)		-6.0		dBm	
Input 3rd Order Intercept Point (2-tone at f _c ± 2.5MHz)		+6		dBm	
Input Return Loss (S11)		-7.5		dB	
Output Return Loss (S22)		-14		dB	
Reverse Isolation (S12)		-24		dB	
Cell Band Rejection (Relative to 1575GHz at 827.5MHz)	80	101		dBc	
PCS Band Rejection (Relative to 1575MHz at 1885MHz)	70	74		dBc	
Supply DC Current at Shutdown (SD) Voltage VSD = 2.7V (I _{DD})		7	10	mA	
ISH (Shutdown Current)		0.40		uA	

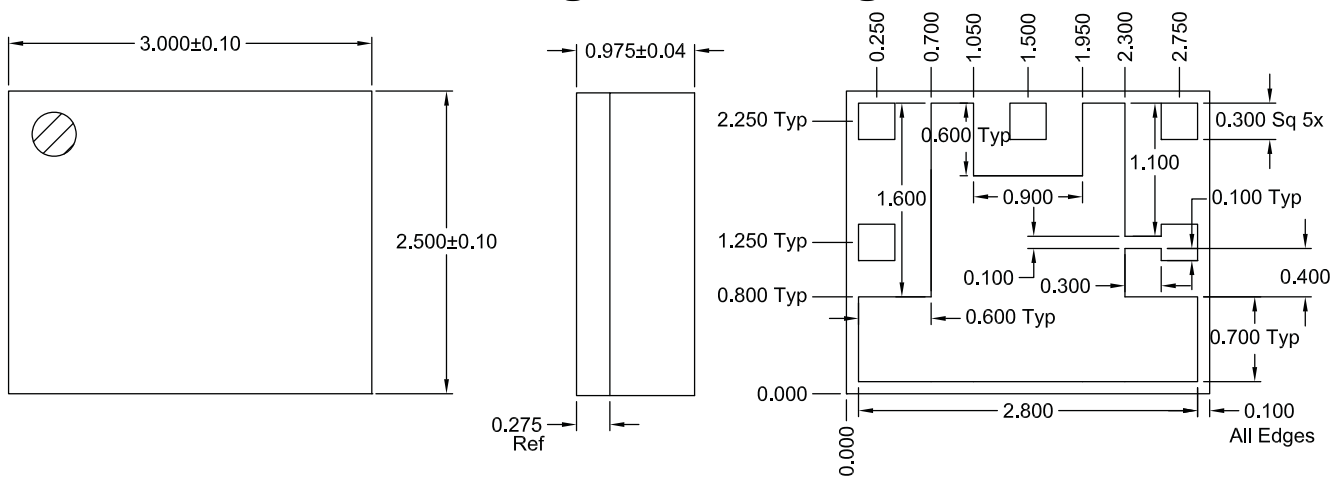
Parameter	Specification			Unit	Condition
	Min.	Typ.	Max.		
Low Current Mode					$V_{DD} = V_{SD} = 1.76V$, $I_{DD} = 4\text{ mA}$, Temp = 25 °C Nominal Operating Conditions (unless otherwise specified)
Gain (G)		13.1		dB	
Noise Figure (NF)*		1.7		dB	
Input P1dB Compressed Power (IP1dB)		-6.5		dBm	
Input 3rd Order Intercept Point (2-tone at $f_c \pm 2.5\text{MHz}$)		+5.7		dBm	
Input Return Loss (S11)		-7.2		dB	
Output Return Loss (S22)		-13		dB	
Reverse Isolation (S12)		-23		dB	
Cell Band Rejection (Relative to 1575MHz at 827.5MHz)		100		dBc	
PCS Band Rejection (Relative to 1575MHz at 1885MHz)		72		dBc	
Supply DC Current at Shutdown (SD) Voltage VSD=2.7V (I_{DD})		4		mA	
ISH (Shutdown Current)		0.40		uA	

Pin	Function	Description
1	RF IN	RF input
2	GND	Ground
3	GND	Ground
4	GND	Ground
5	GND	Ground
6	GND	Ground
7	GND	Ground
8	RF OUT	RF output
9	VDD	DC Supply Voltage
10	GND	Ground
11	SD	Shutdown
12	GND	Ground

Pin Out

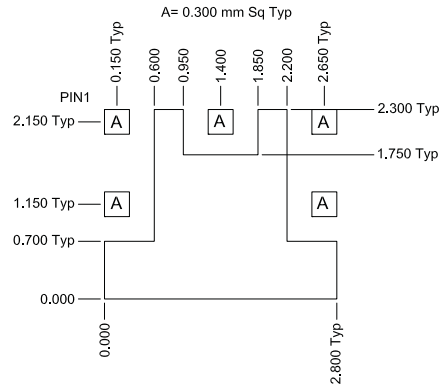


Package Outline Drawing

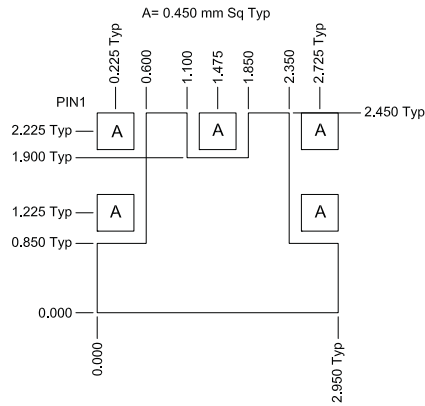


- Notes:
- Shaded area represents Pin 1 location
 - Defining I/O Pad Center:
To define center of the I/O pad opening, draw a right triangle in one corner of the I/O pad
Then take the center of the hypotenuse to determine center of I/O pad

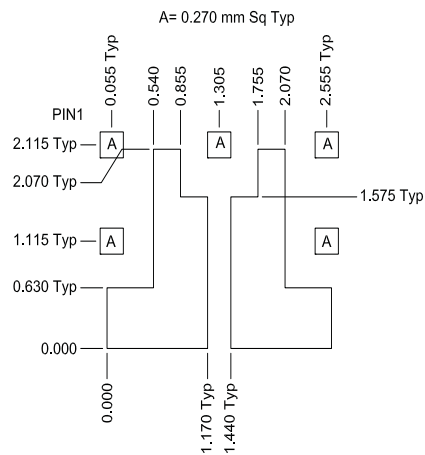
PCB Metal Land Pattern



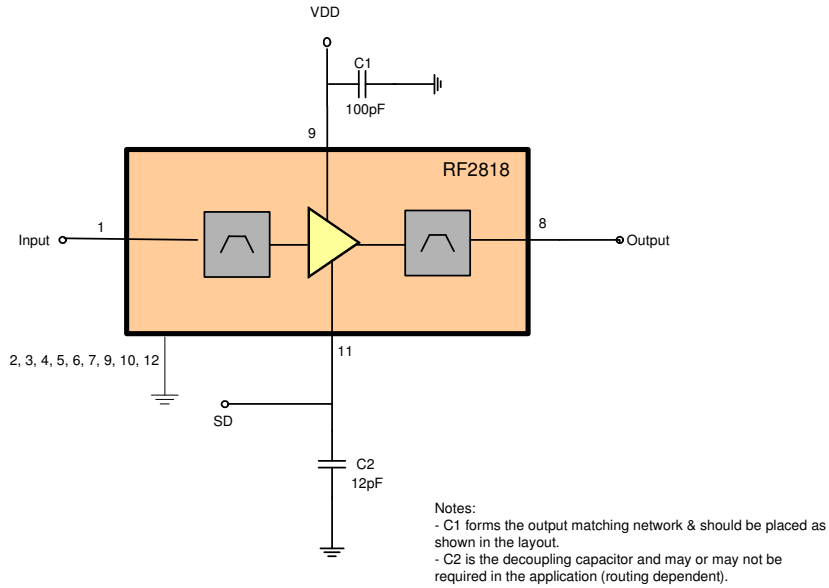
PCB Solder Mask Pattern



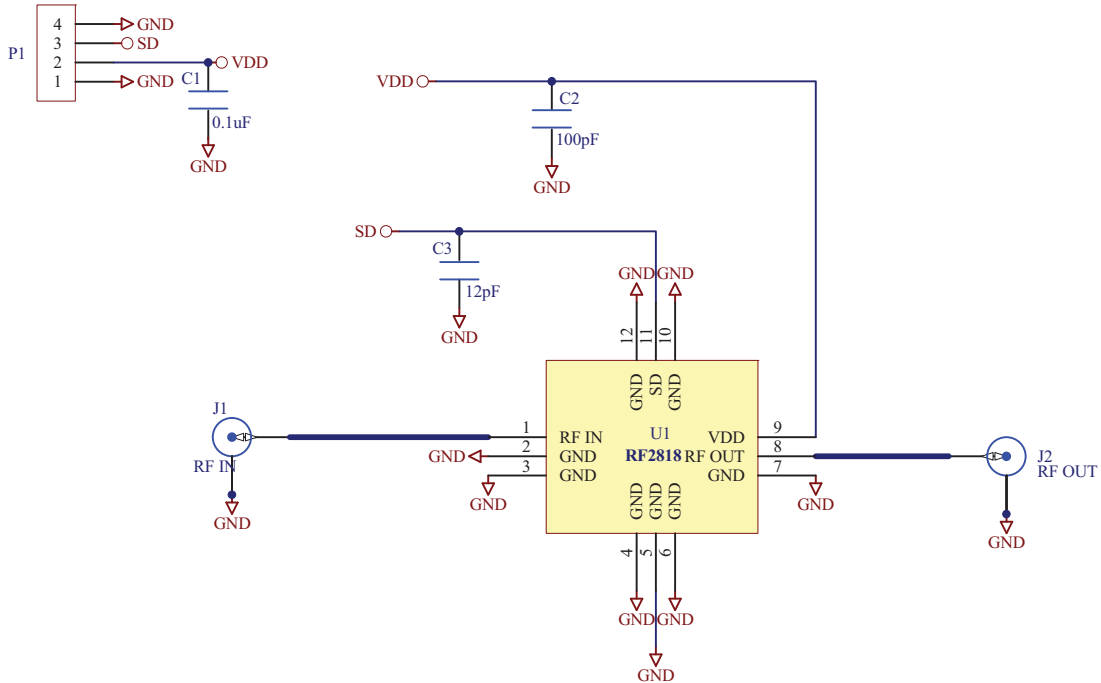
PCB Stencil Pattern



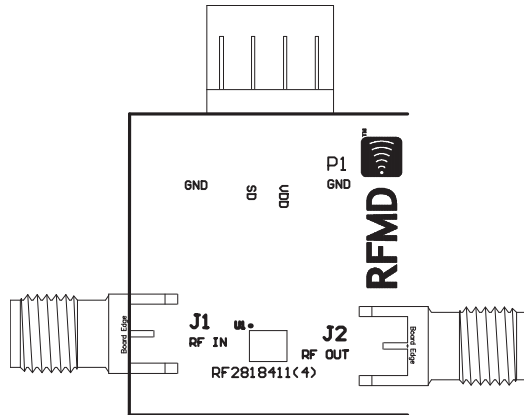
Application Schematic



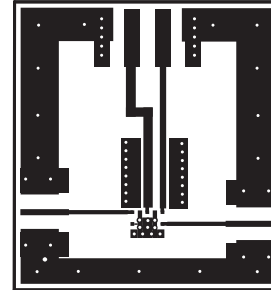
Evaluation Board Schematic



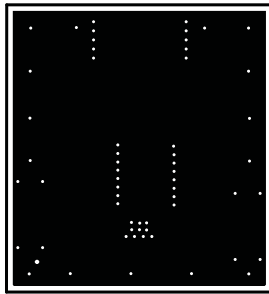
Evaluation Board Layout



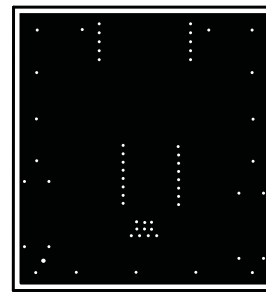
Assembly



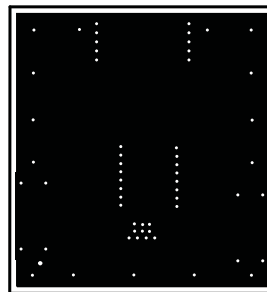
Top



In 1



In 2



Back

Layout Recommendations:

C1 forms a part of the output match and placement of C1 is critical to achieving the best performance. Place C1 as shown on the EVB to achieve the performance specified in this data sheet.

