

BAV19~BAV21

SWITCHING DIODES

VOLTAGE 120~250 Volts **POWER** 500 mWatts

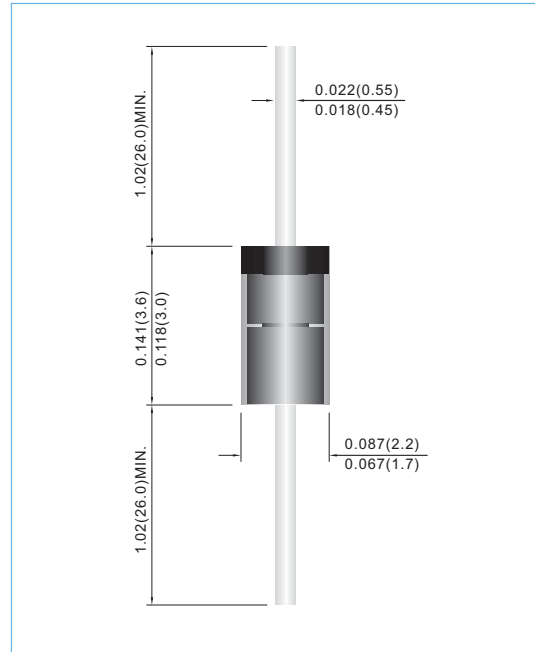
DO-35 Unit : inch(mm)

FEATURES

- Fast switching Speed.
- Electrically Identical to Standard JEDEC
- High Conductance
- Axial lead Package Ideally Suited for Automatic Insertion.
- Lead free in comply with EU RoHS 2002/95/EC directives

MECHANICAL DATA

- Case: Molded Glass DO-35
- Terminals: Solderable per MIL-STD-750, Method 2026
- Polarity: See Diagram Below
- Approx. Weight: 0.13 grams
- Mounting Position: Any
- Ordering information: Suffix : " -35 " to order DO-35 Package
- Packing information
 - B - 2K per Bulk box
 - T/R - 10K per 15" plastic Reel
 - T/B - 5K per horiz. tape & Ammo box



MAXIMUM RATINGS AND ELECTRICAL CHARACTERISTICS (T_J=25°C unless otherwise noted)

PARAMETER	SYMBOL	BAV19	BAV20	BAV21	UNITS
Reverse Voltage	V _R	100	150	200	V
Peak Reverse Voltage	V _{RM}	120	200	250	V
Rectified Current (Average), Half Wave Rectification with Resistive Load and f _z ≥ 50Hz	I _{F(AV)}	200			mA
Peak Forward Surge Current, 1.0s	I _{F(SM)}	1.0			A
Power Dissipation Derate Above 25°C	P _{tot}	500			mW
Maximum Forward Voltage at 0.1A	V _F	1.0			V
Maximum DC Reverse Current at Rated DC Blocking Voltage T _J =25°C	I _R	0.1			μA
Typical Junction Capacitance(Notes1)	C _J	3.0			pF
Maximum Reverse Recovery (Notes2)	t _{rr}	50			ns
Typical Thermal Resistance	R _{θJA}	350			°C / W
Operating Junction and Storage Temperature Range	T _J , T _{STG}	-55 to +150			°C

NOTE:

1. C_J at V_R=0, f=1MHZ
2. From I_F=30mA to I_R=-3mA, V_R=6Volts, R_L=100Ω

BAV19~BAV21

RATING AND CHARACTERISTIC CURVES

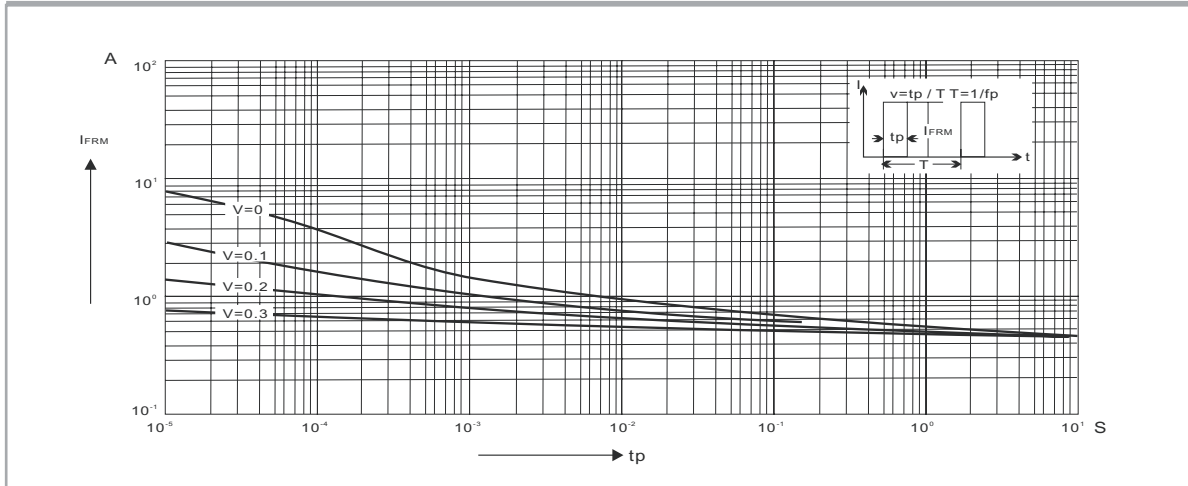


Fig.1 ADMISSIBLE REPETITIVE PEAK FORWARD CURRENT VERSUS PULSE DURATION

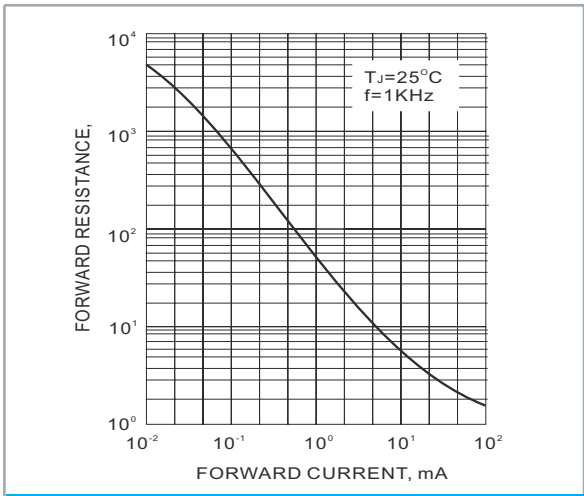


Fig.2-DYNAMIC FORWARD RESISTANCE VERSUS FORWARD CURRENT

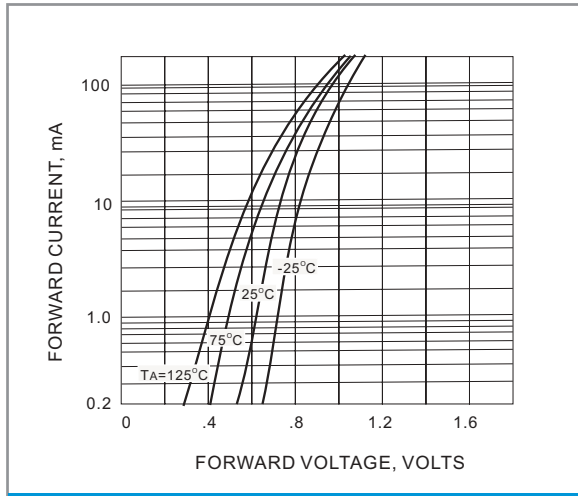


Fig.2 FORWARD CHARACTERISTICS

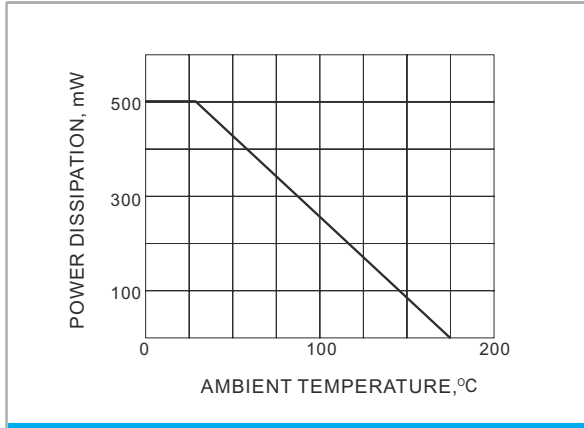


Fig.4 DERATING CURVE

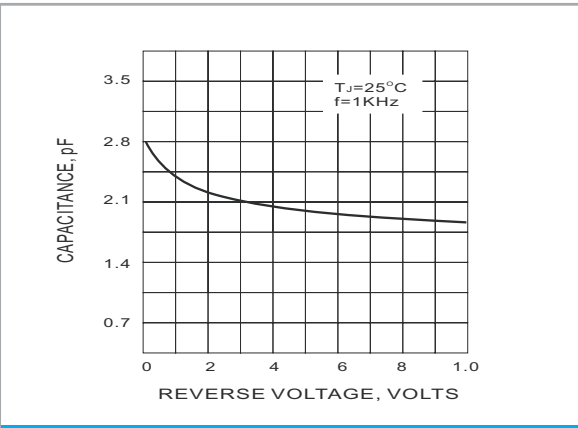


Fig.5 TYPICAL JUNCTION CAPACITANCE

BAV19~BAV21

Part No_packing code_Version

BAV19_AY_10001

BAV19_R2_10001

For example :

RB500V-40 **R2** **00001**

Part No.

Serial number

Version code means HF

Packing size code means 13"

Packing type means T/R

Packing Code XX				Version Code XXXXX		
Packing type	1 st Code	Packing size code	2 nd Code	HF or RoHS	1 st Code	2 nd ~5 th Code
Tape and Ammunition Box (T/B)	A	N/A	0	HF	0	serial number
Tape and Reel (T/R)	R	7"	1	RoHS	1	serial number
Bulk Packing (B/P)	B	13"	2			
Tube Packing (T/P)	T	26mm	X			
Tape and Reel (Right Oriented) (TRR)	S	52mm	Y			
Tape and Reel (Left Oriented) (TRL)	L	PANASERT T/B CATHODE UP (PBCU)	U			
FORMING	F	PANASERT T/B CATHODE DOWN (PBCD)	D			

BAV19~BAV21

Disclaimer

- Reproducing and modifying information of the document is prohibited without permission from Panjit International Inc..
- Panjit International Inc. reserves the rights to make changes of the content herein the document anytime without notification. Please refer to our website for the latest document.
- Panjit International Inc. disclaims any and all liability arising out of the application or use of any product including damages incidentally and consequentially occurred.
- Panjit International Inc. does not assume any and all implied warranties, including warranties of fitness for particular purpose, non-infringement and merchantability.
- Applications shown on the herein document are examples of standard use and operation. Customers are responsible in comprehending the suitable use in particular applications. Panjit International Inc. makes no representation or warranty that such applications will be suitable for the specified use without further testing or modification.
- The products shown herein are not designed and authorized for equipments requiring high level of reliability or relating to human life and for any applications concerning life-saving or life-sustaining, such as medical instruments, transportation equipment, aerospace machinery et cetera. Customers using or selling these products for use in such applications do so at their own risk and agree to fully indemnify Panjit International Inc. for any damages resulting from such improper use or sale.