



# ER200~ER206

## SUPERFAST RECOVERY RECTIFIERS

**VOLTAGE** 50 to 600 Volts **CURRENT** 2.0 Ampere

DO-15

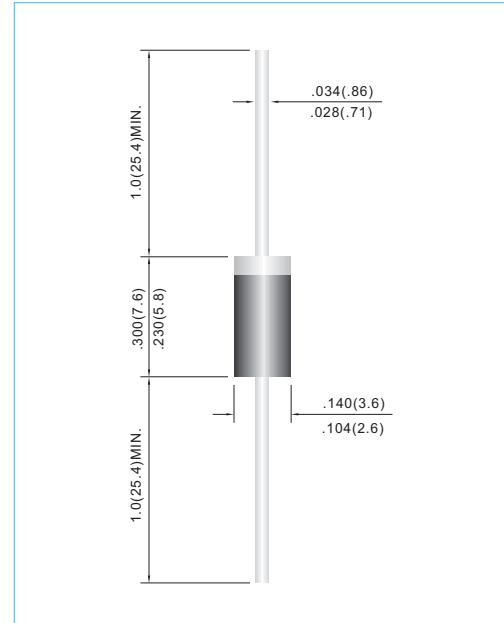
Unit: inch(mm)

### FEATURES

- Superfast recovery times-epitaxial construction.
- Low forward voltage, high current capability.
- Exceeds environmental standards of MIL-S-19500/228.
- Hermetically sealed.
- Low leakage.
- High surge capability.
- Plastic package has Underwriters Laboratories Flammability Classification 94V-O utilizing Flame Retardant Epoxy Molding Compound.
- In compliance with EU RoHS 2002/95/EC directives

### MECHANICAL DATA

- Case: Molded plastic, DO-15
- Terminals: Axial leads, solderable to MIL-STD-750, Method 2026
- Polarity: Color Band denotes cathode end
- Mounting Position: Any
- Weight: 0.014 ounce, 0.397 gram



## MAXIMUM RATINGS AND ELECTRICAL CHARACTERISTICS

Ratings at 25°C ambient temperature unless otherwise specified. Resistive or inductive load, 60Hz.

PARAMETER	SYMBOL	ER200	ER201	ER201A	ER202	ER203	ER204	ER206	UNITS
Maximum Recurrent Peak Reverse Voltage	$V_{RRM}$	50	100	150	200	300	400	600	V
Maximum RMS Voltage	$V_{RMS}$	35	70	105	140	210	280	420	V
Maximum DC Blocking Voltage	$V_{DC}$	50	100	150	200	300	400	600	V
Maximum Average Forward Current .375"(9.5mm) lead length at $T_A=55^\circ\text{C}$	$I_{F(AV)}$	2.0							A
Peak Forward Surge Current : 8.3ms single half sine-wave superimposed on rated load(JEDEC method)	$I_{FSM}$	50							A
Maximum Forward Voltage at 2.0A	$V_F$	0.95				1.25		1.70	V
Maximum DC Reverse Current $T_J=25^\circ\text{C}$ at Rated DC Blocking Voltage $T_J=125^\circ\text{C}$	$I_R$					1.0		200	$\mu\text{A}$
Maximum Reverse Recovery Time(Note 1)	$t_{rr}$					35			ns
Typical Junction capacitance (Note 2)	$C_J$					22			pF
Typical Junction Resistance(Note 3)	$R_{\theta JA}$					40			$^\circ\text{C} / \text{W}$
Operating and Storage Temperature Range	$T_J, T_{STG}$	-55 to +150							$^\circ\text{C}$

NOTES:1. Reverse Recovery Test Conditions:  $I_F=-.5\text{A}$ ,  $I_R=1\text{A}$ ,  $I_{rr}=.25\text{A}$

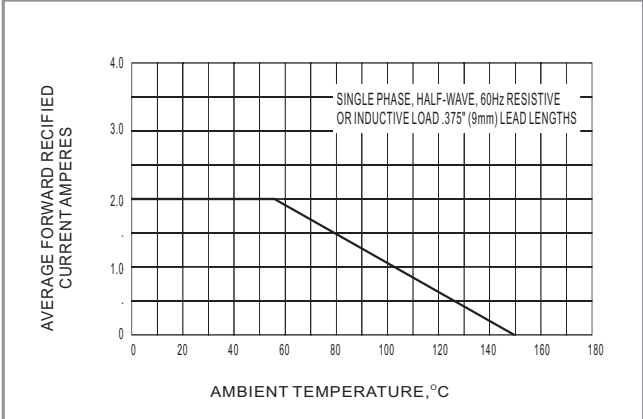
2. Measured at 1 MHz and applied reverse voltage of 4.0 VDC

3. Thermal resistance from junction to ambient and from junction to lead length 0.375"(9.5mm) P.C.B. mounted

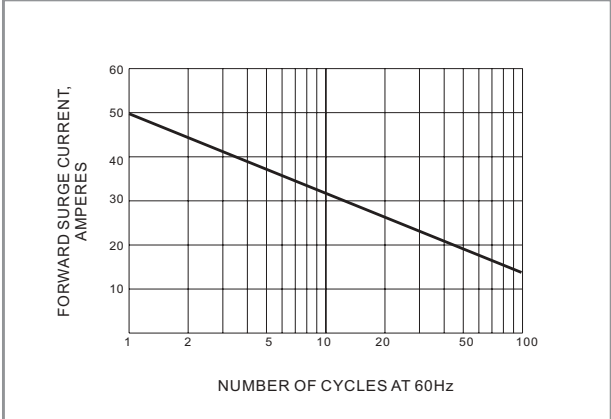


# ER200~ER206

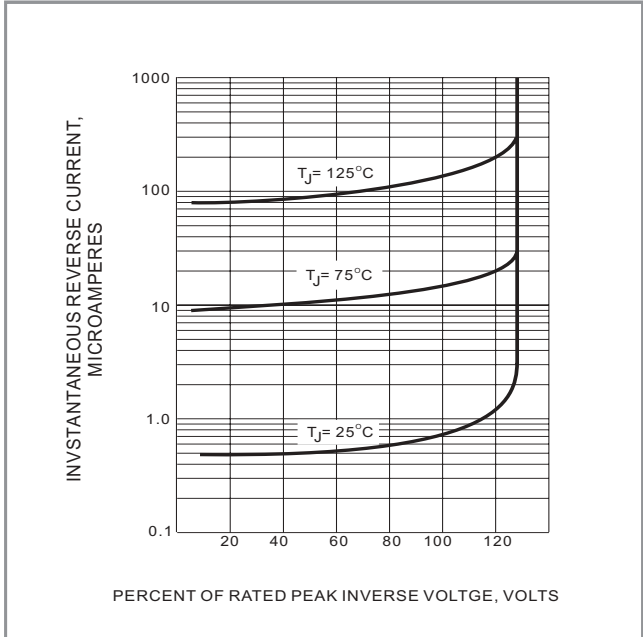
## RATING AND CHARACTERISTIC CURVES



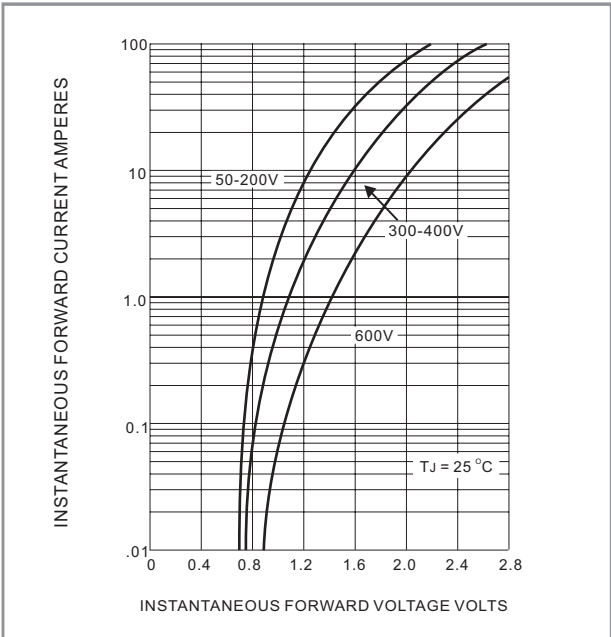
**FIG.1 MAXIMUM AVERAGE FORWARD CURRENT RATING**



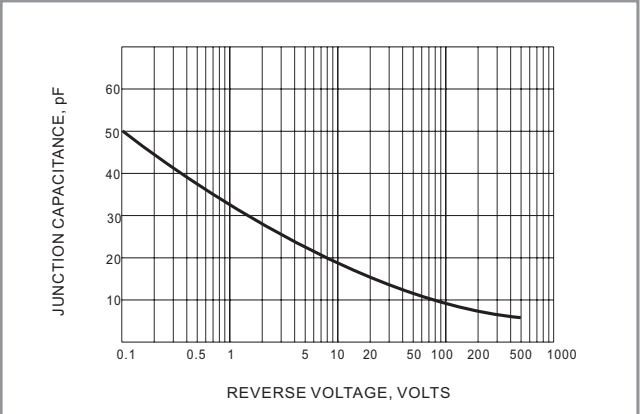
**FIG.2 MAXIMUM NON-REPEITIVE SURGE CURRENT**



**FIG.3 TYPICAL REVERSE CHARACTERISTICS**



**FIG.4 TYPICAL FORWARD CHARACTERISTICS**



**FIG.5 TYPICAL JUNCTION CAPACITANCE**