

NW5 SERIES

Bi-polar, 5mm Height

◆FEATURES

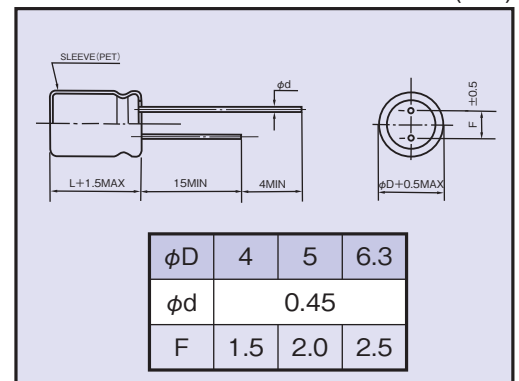
•RoHS compliance.



◆SPECIFICATIONS

Items	Characteristics						
Category Temperature Range	-40~+85°C						
Rated Voltage Range	6.3~50V.DC						
Capacitance Tolerance	±20% (20°C, 120Hz)						
Leakage Current(MAX)	I=0.05CV or 10μA whichever is greater. (After 5 minutes application of rated voltage)						
	I=(μA) Leakage Current	C=(μF) Rated Capacitance	V=(V) Rated Voltage				
(tanδ) Dissipation Factor(MAX)	Rated Voltage	6.3	10	16	25	35	50 (20°C, 120Hz)
	tanδ	0.26	0.22	0.20	0.20	0.20	0.20
Endurance	After applying rated voltage with rated ripple current for 1000hrs at 85°C, (The polarity shall be reversed every 500hrs.), the capacitors shall meet the following requirements.						
	Capacitance Change	Within ±25% of the initial value.					
	Dissipation Factor	Not more than 200% of the specified value.					
Low Temperature Stability Impedance Ratio(MAX)	Rated Voltage	6.3	10	16	25	35	50 (120Hz)
	Z(-25°C)/Z(20°C)	6	4	4	3	2	2
	Z(-40°C)/Z(20°C)	12	10	8	6	4	4

◆DIMENSIONS (mm)



◆MULTIPLIER FOR RIPPLE CURRENT

Frequency coefficient

(Hz) Frequency		60(50)	120	500	1k	10k≤
Coefficient	0.1~1μF	0.50	1.00	1.20	1.30	1.50
	2.2~4.7μF	0.65	1.00	1.20	1.30	1.50
	10~47μF	0.80	1.00	1.20	1.30	1.50

◆OPTION

	Code
PET Sleeve	EFC

◆STANDARD SIZE

Size φD×L(mm), Ripple Current (mA r.m.s./85°C, 120Hz)

VV (V.DC)	Cap (μF)	Size (φD×L)	Rated Ripple Current
6.3 (0J)	10	4×5	14
	22	5×5	25
	33	6.3×5	35
	47	6.3×5	40
10 (1A)	10	5×5	18
	22	6.3×5	30
	33	6.3×5	37
16 (1C)	4.7	4×5	12
	10	5×5	20
	22	6.3×5	32

VV (V.DC)	Cap (μF)	Size (φD×L)	Rated Ripple Current
25 (1E)	3.3	5×5	10
	4.7	5×5	13
	10	6.3×5	21
35 (1V)	2.2	4×5	9
	3.3	5×5	11
	4.7	5×5	14
	10	6.3×5	24

VV (V.DC)	Cap (μF)	Size (φD×L)	Rated Ripple Current
50 (1H)	0.1	4×5	1
	0.22	4×5	2
	0.33	4×5	2
	0.47	4×5	3
	1	4×5	5
	2.2	5×5	10

◆PART NUMBER

NW5 M D×L
 Rated Voltage Series Rated Capacitance Capacitance Tolerance Option Lead Forming Case Size