

**SXC SERIES**

105°C, Overvoltage Vent Operation Facility,  
Snap-in Terminal Type

◆FEATURES

- Load Life : 105°C 2000 hours.
- This series has specification of vent operation in overvoltage situation. Please consult us for any further details.
- RoHS compliance.



◆SPECIFICATIONS

Items	Characteristics								
Category Temperature Range	-25~+105°C								
Rated Voltage Range	200, 400V.DC								
Capacitance Tolerance	±20% (20°C, 120Hz)								
Leakage Current(MAX)	$I=3\sqrt{CV}$ (After 5 minutes application of rated voltage) $I=(\mu A)$ Leakage Current $C=(\mu F)$ Rated Capacitance $V=(V)$ Rated Voltage								
(tanδ) Dissipation Factor(MAX)	0.15 (20°C, 120Hz)								
Endurance	After applying rated voltage with rated ripple current for 2000 hours at 105°C, the capacitors shall meet the following requirements. <table border="1" style="margin-left: 20px;"> <tr> <td>Capacitance Change</td> <td>Within ±20% of the initial value.</td> </tr> <tr> <td>Dissipation Factor</td> <td>Not more than 200% of the specified value.</td> </tr> <tr> <td>Leakage Current</td> <td>Not more than the specified value.</td> </tr> </table>	Capacitance Change	Within ±20% of the initial value.	Dissipation Factor	Not more than 200% of the specified value.	Leakage Current	Not more than the specified value.		
Capacitance Change	Within ±20% of the initial value.								
Dissipation Factor	Not more than 200% of the specified value.								
Leakage Current	Not more than the specified value.								
Low Temperature Stability Impedance Ration(MAX)	<table border="1" style="margin-left: 20px;"> <tr> <td>Rated Voltage</td> <td>200</td> <td>400</td> <td>(120Hz)</td> </tr> <tr> <td>Z(-25°C)/Z(20°C)</td> <td>3</td> <td>8</td> <td></td> </tr> </table>	Rated Voltage	200	400	(120Hz)	Z(-25°C)/Z(20°C)	3	8	
Rated Voltage	200	400	(120Hz)						
Z(-25°C)/Z(20°C)	3	8							

◆MULTIPLIER FOR RIPPLE CURRENT

Frequency Coefficient

Coefficient	(Hz) Frequency	60(50)	120	500	1k	10k≤
	200WV		0.80	1.00	1.10	1.14
400WV		0.80	1.00	1.05	1.10	1.15

◆OPTION

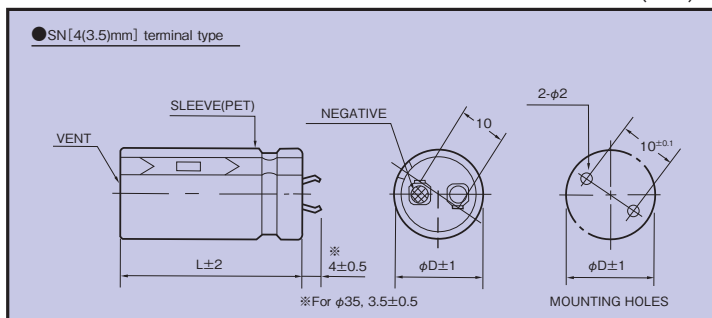
	Code
PET Sleeve without plate	EFC

◆PART NUMBER

□□□
SXC
□□□□□
M
□□□
SN
DXL  
 Rated Voltage      Series      Rated Capacitance      Capacitance Tolerance      Option      Terminal Code      Case Size

◆DIMENSIONS

(mm)



**◆STANDARD SIZE**

Cap(μF)	WV φD	200									
		φ20		φ22		φ25		φ30		φ35	
82		20×20	0.42								
100		20×20	0.47	22×20	0.51						
120		20×20	0.52	22×20	0.56						
150		20×25	0.69	22×25	0.69	25×20	0.63				
180		20×25	0.75	22×25	0.75	25×20	0.70				
220		20×30	0.87	22×25	0.88	25×25	0.88	30×20	0.85		
270		20×35	1.00	22×25	0.99	25×25	0.99	30×20	0.95		
330		20×40	1.20	22×30	1.20	25×25	1.20	<del>30×20</del> 30×25	<del>1.05</del> 1.20	35×20	1.08
390				22×35	1.30	25×30	1.34	30×25	1.30	35×20	1.15
470				22×40	1.44	25×30	1.44	30×25	1.48	35×25	1.48
560				22×45	1.60	25×35	1.60	30×30	1.60	35×25	1.58
680						25×40	1.76	30×30	1.74	35×25	1.74
820								30×35	2.11	35×30	2.10
1000								30×45	2.40	<del>35×30</del> 35×35	<del>2.30</del> 2.30
1200										<del>35×35</del> 35×40	<del>2.65</del> 2.65
1500										35×45	3.08

Cap(μF)	WV φD	400									
		φ20		φ22		φ25		φ30		φ35	
22		20×20	0.20								
27		20×20	0.22	22×20	0.23						
33		20×20	0.25	22×20	0.25						
39		20×25	0.35	22×20	0.28	25×20	0.30				
47		20×25	0.39	22×25	0.39	25×20	0.34				
56		20×30	0.44	22×25	0.45	<del>25×20</del> 25×25	<del>0.39</del> 0.45	30×20	0.41		
68		20×35	0.51	22×25	0.49	25×25	0.49	30×20	0.45		
82		20×40	0.57	22×30	0.56	25×25	0.56	<del>30×20</del> 30×25	<del>0.50</del> 0.56	35×20	0.51
100				22×35	0.62	25×30	0.61	30×25	0.59	35×20	0.54
120				22×40	0.73	25×30	0.73	30×25	0.73	35×20	0.61
150				22×45	0.85	25×35	0.85	30×30	0.79	35×25	0.78
180						25×40	0.94	30×30	0.95	35×25	0.95
220						25×45	1.07	30×35	1.24	35×30	1.24
270								<del>30×35</del> 30×40	<del>1.35</del> 1.30	35×35	1.28
330								30×45	1.47	35×35	1.41
390										35×40	1.59
470										35×45	1.87

↑ Ripple Current (A r.m.s./120Hz, 105°C)  
 ↑ Case Size φD×L(mm)