

MXH SERIES

105°C Ultra Miniaturized, Snap-in Terminal Type

◆FEATURES

- Load Life : 105°C 2000 hours.
- Smaller size than MXG series.
- RoHS compliance.



◆SPECIFICATIONS

Items	Characteristics						
Category Temperature Range	-25~+105°C						
Rated Voltage Range	400, 420, 450V.DC						
Capacitance Tolerance	±20% (20°C, 120Hz)						
Leakage Current(MAX)	$I=3\sqrt{CV}$ (After 5 minutes application of rated voltage) $I=(\mu A)$ Leakage Current $C=(\mu F)$ Rated Capacitance $V=(V)$ Rated Voltage						
(tanδ) Dissipation Factor(MAX)	<table border="1"> <tr> <td>Rated Voltage</td> <td>400~450</td> <td>(20°C, 120Hz)</td> </tr> <tr> <td>tanδ</td> <td>0.20</td> <td></td> </tr> </table>	Rated Voltage	400~450	(20°C, 120Hz)	tanδ	0.20	
Rated Voltage	400~450	(20°C, 120Hz)					
tanδ	0.20						
Endurance	After applying rated voltage with rated ripple current for 2000 hours at 105°C, the capacitors shall meet the following requirements. <table border="1"> <tr> <td>Capacitance Change</td> <td>Within ±20% of the initial value.</td> </tr> <tr> <td>Dissipation Factor</td> <td>Not more than 200% of the specified value.</td> </tr> <tr> <td>Leakage Current</td> <td>Not more than the specified value.</td> </tr> </table>	Capacitance Change	Within ±20% of the initial value.	Dissipation Factor	Not more than 200% of the specified value.	Leakage Current	Not more than the specified value.
Capacitance Change	Within ±20% of the initial value.						
Dissipation Factor	Not more than 200% of the specified value.						
Leakage Current	Not more than the specified value.						
Low Temperature Stability Impedance Ration(MAX)	<table border="1"> <tr> <td>Rated Voltage</td> <td>400~450</td> <td>(120Hz)</td> </tr> <tr> <td>Z(-25°C) / Z(20°C)</td> <td>8</td> <td></td> </tr> </table>	Rated Voltage	400~450	(120Hz)	Z(-25°C) / Z(20°C)	8	
Rated Voltage	400~450	(120Hz)					
Z(-25°C) / Z(20°C)	8						

◆MULTIPLIER FOR RIPPLE CURRENT

Frequency Coefficient

(Hz) Frequency	60(50)	120	500	1k	10k≤
Coefficient	0.80	1.00	1.20	1.25	1.40

◆PART NUMBER

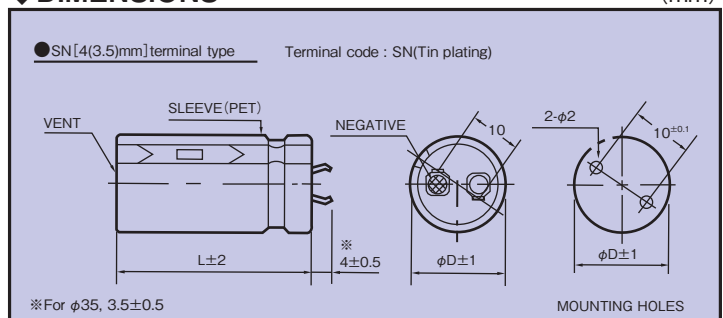
□□□ / **MXH** / □□□□□ / **M** / □□□ / **SN** / **DXL**
 Rated Voltage Series Rated Capacitance Capacitance Tolerance Option Terminal Code Case Size

◆OPTION

	Code
PET Sleeve without plate	EFC

◆DIMENSIONS

(mm)



◆ **STANDARD SIZE**

Cap (μ F)	wV ϕ D	400							
		ϕ 22		ϕ 25		ϕ 30		ϕ 35	
120	22x25	0.75							
150	22x30	0.88							
180	22x30	0.95	25x25	0.95					
220	22x35	1.10	25x30	1.10					
270	22x40	1.22	25x35	1.22	30x25	1.22			
330	22x50	1.44	25x40	1.44	30x30	1.44	35x25	1.44	
390			25x45	1.55	30x35	1.55	35x30	1.55	
470			25x50	1.68	30x40	1.68	35x30	1.68	
560					30x45	1.90	35x35	1.90	
680					30x50	2.12	35x40	2.12	
820							35x45	2.30	

Cap (μ F)	wV ϕ D	420							
		ϕ 22		ϕ 25		ϕ 30		ϕ 35	
100	22x25	0.66							
120	22x30	0.81							
150	22x30	0.84	25x25	0.84					
180	22x35	0.91	25x30	0.91					
220	22x40	1.05	25x30	1.05	30x25	1.05			
270	22x50	1.25	25x35	1.25	30x30	1.25	35x25	1.25	
330			25x45	1.42	30x35	1.42	35x30	1.42	
390			25x50	1.61	30x40	1.61	35x30	1.61	
470					30x45	1.86	35x35	1.86	
560					30x50	2.10	35x40	2.10	
680							35x45	2.20	

Cap (μ F)	wV ϕ D	450							
		ϕ 22		ϕ 25		ϕ 30		ϕ 35	
100	22x25	0.69							
120	22x30	0.72	25x25	0.72					
150	22x35	0.79	25x30	0.79					
180	22x40	0.87	25x30	0.87	30x25	0.87			
220	22x45	1.05	25x35	1.05	30x30	1.05			
270	22x50	1.23	25x40	1.23	30x30	1.23	35x25	1.23	
330			25x50	1.38	30x35	1.38	35x30	1.38	
390					30x40	1.61	35x35	1.61	
470					30x45	1.78	35x40	1.78	
560							35x45	1.99	
680							35x50	2.10	

↑ ↑
 Ripple Current (A r.m.s./120Hz, 105°C)
 Case Size ϕ DxL(mm)