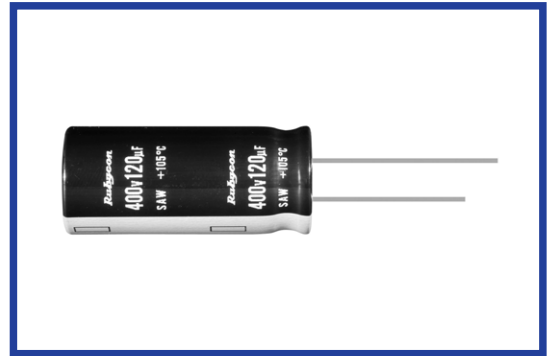


SAW SERIES
105°C Miniaturized, Overvoltage Vent Operation Facility, Lead Wire Type
◆FEATURES

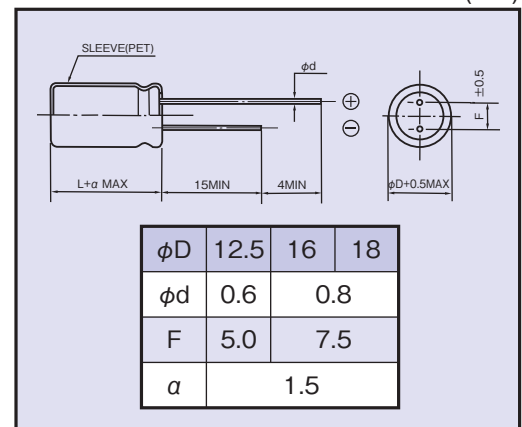
- Load Life : 105°C 2000 hours.
- This series has specification of vent operation in overvoltage situation. Please consult us for any further details.
- Smaller size than SXW series.
- RoHS compliance.


◆SPECIFICATIONS

Items	Characteristics						
Category Temperature Range	-25~+105°C						
Rated Voltage Range	400V.DC						
Capacitance Tolerance	±20% (20°C, 120Hz)						
Leakage Current(MAX)	$I=3\sqrt{CV}$ (After 5 minutes application of rated voltage) $I=(\mu A)$ $C=(\mu F)$ $V=(V)$ Leakage Current Rated Capacitance Rated Voltage						
(tanδ) Dissipation Factor(MAX)	0.15 (20°C, 120Hz)						
Endurance	After applying rated voltage with rated ripple current for 2000 hours at 105°C, the capacitors shall meet the following requirements. <table border="1" style="margin-left: 20px;"> <tr> <td>Capacitance Change</td> <td>Within ±20% of the initial value.</td> </tr> <tr> <td>Dissipation Factor</td> <td>Not more than 200% of the specified value.</td> </tr> <tr> <td>Leakage Current</td> <td>Not more than the specified value.</td> </tr> </table>	Capacitance Change	Within ±20% of the initial value.	Dissipation Factor	Not more than 200% of the specified value.	Leakage Current	Not more than the specified value.
Capacitance Change	Within ±20% of the initial value.						
Dissipation Factor	Not more than 200% of the specified value.						
Leakage Current	Not more than the specified value.						
Low Temperature Stability Impedance Ratio(MAX)	<table border="1" style="margin-left: 20px;"> <tr> <td>Rated Voltage</td> <td>400</td> <td>(120Hz)</td> </tr> <tr> <td>Z(-25°C)/Z(20°C)</td> <td>8</td> <td></td> </tr> </table>	Rated Voltage	400	(120Hz)	Z(-25°C)/Z(20°C)	8	
Rated Voltage	400	(120Hz)					
Z(-25°C)/Z(20°C)	8						

◆DIMENSIONS

(mm)


◆STANDARD SIZE

Rated Voltage (V.DC)	Rated Capacitance (μF)	Size φD×L (mm)	Rated Ripple Current (A r.m.s. 105°C, 120Hz)
400	18	12.5×20	0.14
	22	12.5×25	0.16
	27	12.5×25	0.18
	27	16×20	0.19
	33	16×20	0.21
	39	16×25	0.25
	39	18×20	0.25
	47	16×25	0.28
	47	18×20	0.28
	56	16×30	0.30
	56	18×25	0.30
	68	16×35	0.35
	68	18×25	0.33
	82	16×40	0.40
	82	18×30	0.38
100	18×35	0.44	
120	18×40	0.50	

◆MULTIPLIER FOR RIPPLE CURRENT

Frequency Coefficient

(Hz) Frequency		60(50)	120	500	1k	10k≤
Coefficient	400WV	0.8	1.0	1.05	1.10	1.15

◆OPTION

	Code
PET Sleeve	EFC

◆PART NUMBER

□□□	SAW	□□□□□	M	□□□	□□	DXL
Rated Voltage	Series	Rated Capacitance	Capacitance Tolerance	Option	Lead Forming	Case Size