

# Series 970 PowerTrip™ Connectors and Accessories

## Cable Connectors

### 970-001 Plugs



### PLUG CONNECTORS



Series 970 PowerTrip™ plug connectors feature high ampacity LouverBand contacts and rugged water resistant construction for the most demanding environments. Coupling threads are triple-start ACME type. EMI protected with ground spring and splined backshell interface. Anti-decoupling ratchet prevents de-mating under vibration. Standard contacts are silver plated high conductivity copper alloy, or choose gold-plated contacts for improved corrosion protection. Fluorosilicone rubber gaskets and grommets provide watertight sealing. Contacts are packaged with connector.

- EMI Protected
- High Ampacity Contacts
- Splined Backshell Interface
- Ratchet Self-Locking

PRODUCT FACTS	
2000 VAC Sea Level DWV Rating	
-65°C to +200°C Operating Temperature	
6 Feet Water Immersion, 48 Hours	
65 dB min. Attenuation, up to 10GHz	
2000 Cycles Mating Durability	
MIL-S 901 Grade A High-Impact Shock	
43 g Random Vibration	

### HOW TO ORDER

SERIES	SHELL MATERIAL AND FINISH	SHELL SIZE - INSERT ARRANGEMENT					CONTACT TYPE AND PLATING	KEY POSITION	
<b>970-001</b> Plug Connector	<b>ME</b> Aluminum, Electroless Nickel Finish	Contact Arr.	Contact Size and Qty					<b>P1</b> Pin Contacts, Silver Plating*	<b>-1</b> Position 1
			#16	#12	#8	#4	#1/0		
	<b>MT</b> Aluminum, Nickel-PTFE Finish	<b>18-2</b>			2			<b>P2</b> Pin Contacts, Gold Plating	<b>-2</b> Position 2
		<b>18-4</b>		2	2				
		<b>20-3</b>			3				
		<b>20-4</b>			4				
	<b>NF</b> Aluminum, Olive Drab Cadmium	<b>20-5</b>		2	3			<b>S1</b> Socket Contacts, Silver Plating*	<b>-3</b> Position 3
		<b>20-7</b>	4		3				
		<b>24-2</b>				2			
		<b>24-3</b>				3			
	<b>ZR</b> Aluminum, Black Zinc-Nickel Finish	<b>24-5</b>			5			<b>S2</b> Socket Contacts, Gold Plating	<b>-4</b> Position 4
		<b>24-6</b>		4		2			
		<b>24-A6</b>		3		3			
		<b>28-4</b>				4			
	<b>Z1</b> Passivated Stainless Steel	<b>28-9</b>	5			4		<b>A</b> Pin Connector, without Contacts	<b>-5</b> Position 5
		<b>32-2</b>					2		
		<b>32-3</b>					3		
		<b>32-4</b>				2	2		
<b>32-5</b>					5				
<b>32-6</b>			3			3			
<b>36-4</b>						4			
<b>40-5</b>					5				
<b>Sample Part Number</b>									
<b>970-001</b>	<b>MT</b>	<b>18-2</b>					<b>P2</b>	<b>-1</b>	

\* Size 12 and 16 contacts are gold-plated. Size 8, 4 and 1/0 are silver plated.

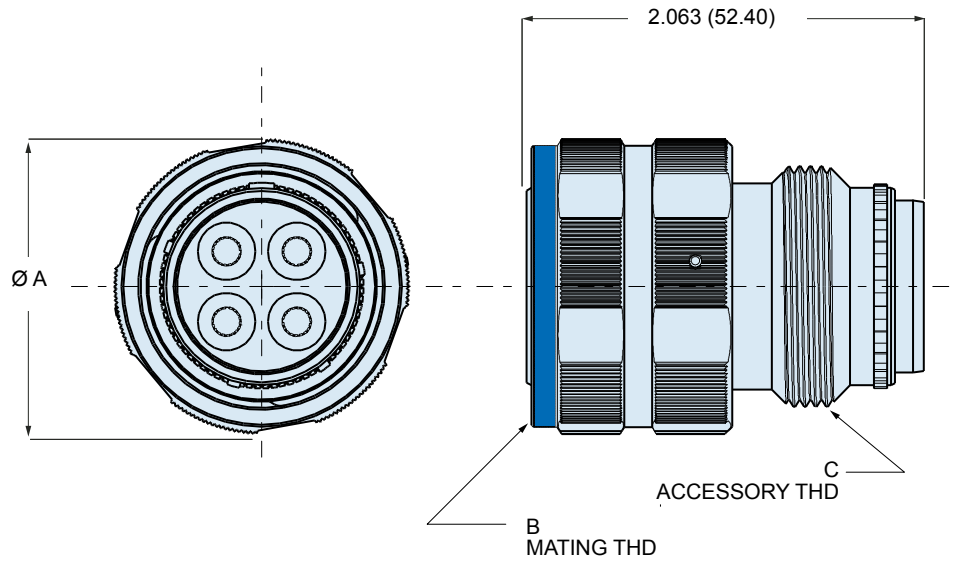


# Series 970 PowerTrip™ Connectors and Accessories

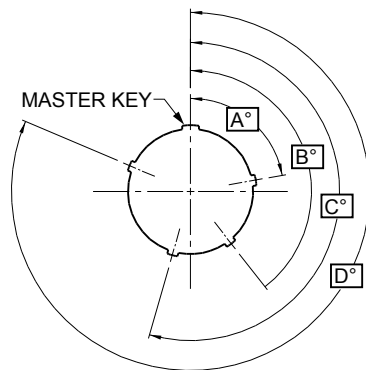
## Cable Connectors

### 970-001 Plugs

#### 970-001 PLUG CONNECTOR



DIMENSIONS				
Shell Size	$\varnothing A$		B	C
	In.	mm.	Mating Thread	Accessory Thread
18	1.485	37.72	1.125-0.1P-.3L-TS-2B	1.125-18 UNEF-2A
20	1.583	40.21	1.250-0.1P-.3L-TS-2B	1.250-18 UNEF-2A
24	1.875	47.63	1.500-0.1P-.3L-TS-2B	1.4375-18 UNEF-2A
28	2.186	55.52	1.750-0.1P-.3L-TS-2B	1.8125-16 UN-2A
32	2.420	61.47	2.000-0.1P-.3L-TS-2B	2.0625-16 UNS-2A
36	2.709	68.81	2.250-0.1P-.3L-TS-2B	2.250-16 UN-2A
40	2.980	75.69	2.500-0.1P-.3L-TS-2B	2.500-16 UN-2A



KEY POSITIONS				
Position	A°	B°	C°	D°
1	80	142	196	293
2	135	170	200	310
3	49	169	200	244
4	66	140	200	257
5	62	145	180	280
6	79	153	197	272